



# 950

## Wheel Loader

# Technical Specifications

Configurations and features may vary by region. Please consult your Cat® dealer for availability in your area.

## Table of Contents

<b>Specifications</b> .....	<b>2</b>
Engine – U.S. EPA Tier 3 Equivalent/EU Stage IIIA Equivalent .....	2
Operating Specifications .....	2
Buckets .....	2
Weight .....	2
Engine – U.S. EPA Tier 4 Final/EU Stage V .....	2
Transmission .....	2
Air Conditioning System .....	3
Hydraulic System .....	3
Sound .....	3
Service Refill Capacities .....	3
Brakes .....	3
Axles .....	3
Cab .....	3
Dimensions .....	4
Tire Options .....	5
Bucket Fill Factors and Selection Guide .....	7
Operating Specifications – Buckets .....	11
Fork/Material Handling Arm Specifications .....	47
<b>Standard and Optional Equipment</b> .....	<b>86</b>
<b>950 Waste &amp; Scrap Handler Configuration</b> .....	<b>88</b>
Key Features and Benefits .....	88
Tire Options .....	90
<b>950 Forestry Machine Configuration</b> .....	<b>99</b>
Key Features and Benefits .....	99
Tire Options .....	101
<b>950 Steel Mill Configuration</b> .....	<b>117</b>
Key Features and Benefits .....	117
Tire Options .....	119
<b>950 Tunneling Configuration</b> .....	<b>122</b>
Key Features and Benefits .....	122
Tire Options .....	124
<b>950 Corrosion Resistant Configuration</b> .....	<b>126</b>
Key Features and Benefits .....	126

# 950 Wheel Loader Specifications

## Engine – U.S. EPA Tier 3 Equivalent/EU Stage IIIA Equivalent

Engine Model	Cat® C7.1	
Meets Brazil MAR-1 and UN ECE R96 Stage IIIA emission standards, equivalent to U.S. EPA Tier 3 and EU Stage IIIA.		
Engine Power @ 2,100 rpm	186 kW	249 hp
ISO 14396:2002		
ISO 14396:2002 (DIN)	253 hp (metric)	
Gross Power @ 2,100 rpm	191 kW	256 hp
SAE J1995:2014		
SAE J1995:2014 (DIN)	260 hp (metric)	
Net Power @ 2,100 rpm	172 kW	231 hp
ISO 9249:2007, SAE J1349:2011		
ISO 9249:2007, SAE J1349:2011 (DIN)	235 hp (metric)	
Engine Torque (1,400 rpm)	1236 N·m	912 lbf-ft
ISO 14396:2002		
Gross Torque (1,400 rpm)	1257 N·m	927 lbf-ft
SAE J1995:2014		
Net Torque (1,300 rpm)	1170 N·m	863 lbf-ft
ISO 9249:2007, SAE J1349:2011		
Displacement	7.01 L	

- Advertised power is tested per the specified standard in effect at the time of manufacture.
- The net power advertised is the power available at the flywheel when the engine is equipped with fan, alternator, air cleaner, and muffler.
- Cat engines are compatible with diesel fuel blended with the following lower-carbon intensity fuels up to:
  - 100% biodiesel FAME (fatty acid methyl ester)\*
  - 100% renewable diesel, HVO (hydrotreated vegetable oil) and GTL (gas-to-liquid) fuels

Refer to guidelines for successful application. Please consult your Cat dealer or “Caterpillar Machine Fluids Recommendations” (SEBU6250) for details.

\* For use of blends higher than 20% biodiesel, consult your Cat dealer.

## Operating Specifications

Static Tipping Load – Full 40° Turn		
With Tire Deflection	10 936 kg	24,110 lb
No Tire Deflection	11 631 kg	25,642 lb
Breakout Force	152 kN	34,171 lbf

- For a machine configuration as defined under “Weight.”
- Full compliance to ISO 14397-1:2007 Sections 1 thru 6, which requires 2% verification between calculations and testing.

## Buckets

Bucket Capacities	2.5-9.9 m <sup>3</sup>	3.3-13.0 yd <sup>3</sup>
-------------------	------------------------	--------------------------

## Weight

Operating Weight	18 076 kg	39,851 lb
------------------	-----------	-----------

- Weight based on a machine configuration with Z-bar linkage, Bridgestone 23.5R25 VJT L3 radial tires, full fluids, operator, standard counterweight, ride control, cold start, roading fenders, Product Link™, front manual differential/open rear axles, powertrain guard, secondary steering, sound suppression, and a 3.1 m<sup>3</sup> (4.1 yd<sup>3</sup>) general purpose bucket with bolt-on cutting edges (BOCE).

## Engine – U.S. EPA Tier 4 Final/EU Stage V

Engine Model	Cat C7.1	
Meets U.S. EPA Tier 4 Final, EU Stage V, and Japan 2014 emission standards.		
Engine Power @ 2,100 rpm	186 kW	249 hp
ISO 14396:2002		
ISO 14396:2002 (DIN)	253 hp (metric)	
Gross Power @ 2,100 rpm	188 kW	253 hp
SAE J1995:2014		
SAE J1995:2014 (DIN)	257 hp (metric)	
Net Power @ 2,100 rpm	172 kW	231 hp
ISO 9249:2007, SAE J1349:2011		
ISO 9249:2007, SAE J1349:2011 (DIN)	235 hp (metric)	
Engine Torque (1,300 rpm)	1231 N·m	908 lbf-ft
ISO 14396:2002		
Gross Torque (1,300 rpm)	1242 N·m	916 lbf-ft
SAE J1995:2014		
Net Torque (1,300 rpm)	1170 N·m	863 lbf-ft
ISO 9249:2007, SAE J1349:2011		
Displacement	7.01 L	

- Advertised power is tested per the specified standard in effect at the time of manufacture.
- The net power advertised is the power available at the flywheel when the engine is equipped with fan, alternator, air cleaner, and aftertreatment.
- Cat diesel engines are required to use ULSD (ultra-low sulfur diesel fuel with 15 ppm of sulfur or less) or ULSD blended with the following lower-carbon intensity fuels up to:
  - 20% biodiesel FAME (fatty acid methyl ester)\*
  - 100% renewable diesel, HVO (hydrotreated vegetable oil) and GTL (gas-to-liquid) fuels

Refer to guidelines for successful application. Please consult your Cat dealer or “Caterpillar Machine Fluids Recommendations” (SEBU6250) for details.

\* Engines with no aftertreatment devices can use higher blends, up to 30% biodiesel, where mandated.

## Transmission

Forward 1	6.9 km/h	4.3 mph
Forward 2	12.0 km/h	7.5 mph
Forward 3	19.3 km/h	12.0 mph
Forward 4	25.7 km/h	16.0 mph
Forward 5	39.5 km/h	24.5 mph
Reverse 1	6.9 km/h	4.3 mph
Reverse 2	12.0 km/h	7.5 mph
Reverse 3	25.7 km/h	16.0 mph
Reverse 4	N/A	N/A

- Maximum travel speed in standard vehicle with empty bucket and standard L3 tires with 787 mm (31 in) roll radius.

# 950 Wheel Loader Specifications

## Air Conditioning System

The air conditioning system on this machine contains the fluorinated greenhouse gas refrigerant R134a (Global Warming Potential = 1430). The system contains 1.6 kg (3.5 lb) of refrigerant which has a CO<sub>2</sub> equivalent 2.288 metric tonnes (2.522 tons).

## Hydraulic System

Implement Pump Type	Variable Displacement Piston, Load Sensing	
Implement System:		
Maximum Pump Output (2,340 rpm)	322 L/min	85 gal/min
Maximum Operating Pressure	27 900 kPa	4,047 psi
Optional 3 <sup>rd</sup> Function Maximum Flow at Work Tool	240 L/min	63 gal/min
Optional 3 <sup>rd</sup> Function Maximum Pressure at Work Tool	20 684 kPa	3,000 psi
Optional 4 <sup>th</sup> Function Maximum Flow at Work Tool	240 L/min	63 gal/min
Optional 4 <sup>th</sup> Function Maximum Pressure at Work Tool	20 684 kPa	3,000 psi
Hydraulic Cycle Time with Rated Payload:		
Raise from Carry Position	5.3 sec	
Dump at Maximum Raise	1.5 sec	
Lower, Empty, Float Down	3.0 sec	
Total	9.8 sec	

## Sound

Operator Sound Pressure Level (ISO 6396:2008)	70 dB(A)
Exterior Sound Power Level (ISO 6395:2008)	107 dB(A)
Operator Sound Pressure Level (ISO 6396:2008)*	69 dB(A)
Exterior Sound Power Level (ISO 6395:2008)**	104 dB(A)

\*Including countries that adopt the EU and UK directives.  
\*\*European Union Directive 2000/14/EC and UK Noise Regulation 2001 No. 1701.

## Service Refill Capacities

Fuel Tank	259.5 L	68.6 gal
Diesel Exhaust Fluid (DEF) Tank (Tier 4 only)	15 L	4.0 gal
Cooling System (Tier 4)	54 L	14.3 gal
Cooling System (Tier 3)	54 L	14.3 gal
Crankcase	21 L	5.5 gal
Transmission	43 L	11.4 gal
Differentials and Final Drives – Front	43 L	11.4 gal
Differentials and Final Drives – Rear	43 L	11.4 gal
Hydraulic Tank	97 L	25.6 gal

## Brakes

Brakes	Brakes meet ISO 3450:2011 standards
--------	-------------------------------------

## Axles

Front	Fixed
Rear	Oscillating ±13 degrees

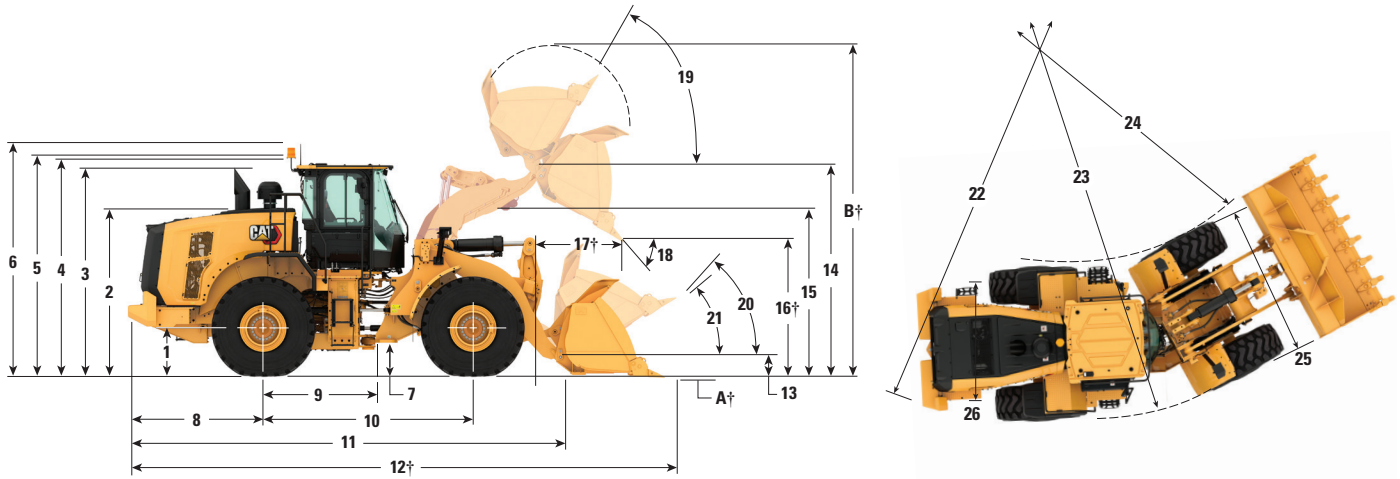
## Cab

Rollover Protective Structure/Falling Objects Protective Structure (ROPS/FOPS)	ROPS/FOPS meet ISO 3471:2008 and ISO 3449:2005 Level II standards
--	--

# 950 Wheel Loader Specifications

## Dimensions

All dimensions are approximate.



	Standard Lift		High Lift	
1 Height to Axle Centerline	734 mm	2'4"	734 mm	2'4"
2 Height to Top of Hood	2695 mm	8'10"	2695 mm	8'10"
3 Height to Top of Exhaust Pipe	3408 mm	11'2"	3408 mm	11'3"
4 Height to Top of ROPS	3456 mm	11'4"	3456 mm	11'5"
5 Height to Top of Product Link Antenna	3463 mm	11'4"	3463 mm	11'5"
6 Height to Top of Warning Beacon	3736 mm	12'3"	3736 mm	12'4"
7 Ground Clearance	354 mm	1'1"	354 mm	1'1"
8 Centerline of Rear Axle to Edge of Counterweight	1942 mm	6'4"	2106 mm	6'11"
9 Centerline of Rear Axle to Hitch	1675 mm	5'5"	1675 mm	5'6"
10 Wheelbase	3350 mm	10'11"	3350 mm	11'0"
11 Overall Length (without bucket)	6797 mm	22'3"	7462 mm	24'6"
12 Shipping Length (with bucket level on ground)*†	8238 mm	27'0"	8750 mm	28'9"
13 Hinge Pin Height at Carry Height	624 mm	2'0"	745 mm	2'5"
14 Hinge Pin Height at Maximum Lift	3981 mm	13'0"	4476 mm	14'8"
15 Lift Arm Clearance at Maximum Lift	3393 mm	11'1"	3776 mm	12'4"
16 Dump Clearance at Maximum Lift and 45° Discharge*†	2844 mm	9'3"	3340 mm	10'11"
17 Reach at Maximum Lift and 45° Discharge*†	1325 mm	4'4"	1393 mm	4'6"
18 Dump Angle at Maximum Lift and Dump (on stops)*	53 degrees		50 degrees	
19 Rack Back at Maximum Lift*	60 degrees		65 degrees	
20 Rack Back at Carry Height*	49 degrees		54 degrees	
21 Rack Back at Ground*	41 degrees		46 degrees	
22 Clearance Circle (dia) to Counterweight	12 047 mm	39'7"	12 072 mm	39'8"
23 Clearance Circle (dia) to Outside of Tires	12 028 mm	39'6"	12 028 mm	39'6"
24 Clearance Circle (dia) to Inside of Tires	6380 mm	25'0"	6380 mm	25'0"
25 Width over Tires (unloaded)	2800 mm	9'3"	2800 mm	9'3"
Width over Tires (loaded)	2824 mm	9'4"	2824 mm	9'4"
26 Tread Width	2140 mm	7'0"	2140 mm	7'0"

All height and tire related dimensions are with Bridgestone 23.5R25 VJT L3 radial tires (see Tire Options chart for other tires). "Width over Tires" dimensions are over the bulge and include growth.

•All dimensions are approximate and based on machine equipped with 3.1 m<sup>3</sup> (4.1 yd<sup>3</sup>) general purpose pin-on bucket with BOCE (see Operating Specifications for other buckets).

†Dimensions are listed in Operating Specifications charts.

# 950 Wheel Loader Specifications

## Tire Options

Tire Brand	Bridgestone	Michelin	Michelin	Michelin	Michelin
<b>Tire Size</b>	<b>23.5R25</b>	<b>23.5R25</b>	<b>23.5R25</b>	<b>750/65R25</b>	<b>23.5R25</b>
<b>Tread Type</b>	<b>L-3</b>	<b>L-5</b>	<b>L-5</b>	<b>L-3</b>	<b>L-2</b>
<b>Tread Pattern</b>	<b>VJT</b>	<b>XHA2</b>	<b>XLD D2</b>	<b>XLD</b>	<b>XTLA</b>
Width over Tires – Maximum (empty)*	2800 mm 9'3"	2816 mm 9'3"	2819 mm 9'4"	2934 mm 9'8"	2814 mm 9'3"
Width over Tires – Maximum (loaded)*	2824 mm 9'4"	2828 mm 9'4"	2834 mm 9'4"	2968 mm 9'9"	2820 mm 9'4"
Change in Vertical Dimensions (average of front and rear)		10 mm 0.4"	40 mm 1.6"	12 mm 0.5"	13 mm 0.5"
Change in Horizontal Reach		-6 mm -0.2"	-31 mm -1.2"	5 mm 0.2"	-7 mm -0.3"
Change in Clearance Circle to Outside of Tires		4 mm 0.2"	11 mm 0.4"	144 mm 5.7"	-4 mm -0.1"
Change in Clearance Circle to Inside of Tires		-4 mm -0.2"	-11 mm -0.4"	-144 mm -5.7"	4 mm 0.1"
Change in Operating Weight (without ballast)		-156 kg -344 lb	500 kg 1,103 lb	633 kg 1,395 lb	-192 kg -423 lb
Change in Static Tipping Load – Straight		-104 kg -229 lb	333 kg 733 lb	421 kg 928 lb	-128 kg -282 lb
Change in Static Tipping Load – Articulated		-90 kg -200 lb	290 kg 639 lb	367 kg 809 lb	-112 kg -248 lb
Rear Axle Oscillation Angle	±13 degrees	±13 degrees	±8 degrees	±8 degrees	±13 degrees
Maximum Single-Wheel Rise and Fall	481 mm 1'7"	481 mm 1'7"	298 mm 1'0"	298 mm 1'0"	481 mm 1'7"

\*Width over tire bulge and includes tire growth.

Tire Brand	Michelin	Bridgestone	Bridgestone	Bridgestone	Bridgestone
<b>Tire Size</b>	<b>23.5R25</b>	<b>23.5R25</b>	<b>23.5R25</b>	<b>23.5R25</b>	<b>23.5-25</b>
<b>Tread Type</b>	<b>L-2</b>	<b>L-2</b>	<b>L-2</b>	<b>L-5</b>	<b>L-3</b>
<b>Tread Pattern</b>	<b>XSNO</b>	<b>VUT</b>	<b>VSW</b>	<b>VSDL</b>	<b>VL2</b>
Width over Tires – Maximum (empty)*	2833 mm 9'4"	2827 mm 9'4"	2805 mm 9'3"	2787 mm 9'2"	2770 mm 9'2"
Width over Tires – Maximum (loaded)*	2841 mm 9'4"	2820 mm 9'4"	2823 mm 9'4"	2804 mm 9'3"	2790 mm 9'2"
Change in Vertical Dimensions (average of front and rear)	9 mm 0.4"	0 mm 0"	10 mm 0.4"	65 mm 2.6"	19 mm 0.8"
Change in Horizontal Reach	-5 mm -0.2"	0 mm 0"	2 mm 0.1"	-36 mm -1.4"	-4 mm -0.1"
Change in Clearance Circle to Outside of Tires	18 mm 0.7"	-3 mm -0.1"	-1 mm 0"	-20 mm -0.8"	-34 mm -1.3"
Change in Clearance Circle to Inside of Tires	-18 mm -0.7"	3 mm 0.1"	1 mm 0"	20 mm 0.8"	34 mm 1.3"
Change in Operating Weight (without ballast)	-144 kg -318 lb	-120 kg -265 lb	-60 kg -132 lb	700 kg 1,544 lb	-268 kg -591 lb
Change in Static Tipping Load – Straight	-96 kg -211 lb	-80 kg -176 lb	-40 kg -88 lb	466 kg 1,026 lb	-178 kg -393 lb
Change in Static Tipping Load – Articulated	-84 kg -186 lb	-70 kg -153 lb	-35 kg -77 lb	406 kg 895 lb	-155 kg -343 lb
Rear Axle Oscillation Angle	±13 degrees	±13 degrees	±8 degrees	±8 degrees	±13 degrees
Maximum Single-Wheel Rise and Fall	481 mm 1'7"	481 mm 1'7"	298 mm 1'0"	298 mm 1'0"	481 mm 1'7"

\*Width over tire bulge and includes tire growth.

# 950 Wheel Loader Specifications

## Tire Options

Tire Brand	Bridgestone	Firestone	Maxam	Maxam	Maxam
<b>Tire Size</b>	<b>750/65R25</b>	<b>23.5-25</b>	<b>23.5R25</b>	<b>23.5R25</b>	<b>23.5R25</b>
<b>Tread Type</b>	<b>L-3</b>	<b>L-5</b>	<b>L-2</b>	<b>L-2</b>	<b>L-3</b>
<b>Tread Pattern</b>	<b>VTS</b>	<b>SDT LD</b>	<b>MS202</b>	<b>MS203</b>	<b>MS302</b>
Width over Tires – Maximum (empty)*	2930 mm 9'8"	2776 mm 9'2"	2810 mm 9'3"	2811 mm 9'3"	2820 mm 9'4"
Width over Tires – Maximum (loaded)*	2951 mm 9'9"	2799 mm 9'3"	2828 mm 9'4"	2823 mm 9'4"	2828 mm 9'4"
Change in Vertical Dimensions (average of front and rear)	19 mm 0.7"	62 mm 2.4"	11 mm 0.4"	-2 mm -0.1"	14 mm 0.5"
Change in Horizontal Reach	-4 mm -0.2"	-44 mm -1.7"	-7 mm -0.3"	-2 mm -0.1"	-15 mm -0.6"
Change in Clearance Circle to Outside of Tires	128 mm 5"	-24 mm -1"	5 mm 0.2"	0 mm 0"	4 mm 0.2"
Change in Clearance Circle to Inside of Tires	-128 mm -5"	24 mm 1"	-5 mm -0.2"	0 mm 0"	-4 mm -0.2"
Change in Operating Weight (without ballast)	737 kg 1,625 lb	500 kg 1,103 lb	-32 kg -71 lb	-188 kg -415 lb	0 kg 0 lb
Change in Static Tipping Load – Straight	490 kg 1,080 lb	333 kg 733 lb	-21 kg -47 lb	-125 kg -276 lb	0 kg 0 lb
Change in Static Tipping Load – Articulated	427 kg 942 lb	290 kg 639 lb	-19 kg -41 lb	-109 kg -240 lb	0 kg 0 lb
Rear Axle Oscillation Angle	±8 degrees	±8 degrees	±13 degrees	±13 degrees	±13 degrees
Maximum Single-Wheel Rise and Fall	298 mm 1'0"	298 mm 1'0"	481 mm 1'7"	481 mm 1'7"	481 mm 1'7"

\*Width over tire bulge and includes tire growth.

Tire Brand	Maxam	Triangle	Triangle	Brawler	Brawler
<b>Tire Size</b>	<b>23.5R25</b>	<b>23.5-25</b>	<b>23.5R25</b>	<b>23.5X25</b>	<b>23.5X25</b>
<b>Tread Type</b>	<b>L-5</b>	<b>L-3</b>	<b>L-3</b>		
<b>Tread Pattern</b>	<b>MS503</b>	<b>TL612</b>	<b>TB516</b>	<b>Smooth</b>	<b>Traction</b>
Width over Tires – Maximum (empty)*	2780 mm 9'2"	2781 mm 9'2"	2785 mm 9'2"	2140 mm 7'1"	2140 mm 7'1"
Width over Tires – Maximum (loaded)*	2803 mm 9'3"	2809 mm 9'3"	2799 mm 9'3"	2140 mm 7'1"	2140 mm 7'1"
Change in Vertical Dimensions (average of front and rear)	58 mm 2.3"	1 mm 0"	43 mm 1.7"	65 mm 2.5"	65 mm 2.5"
Change in Horizontal Reach	-33 mm -1.3"	-8 mm -0.3"	-13 mm -0.5"	-15 mm -0.6"	-15 mm -0.6"
Change in Clearance Circle to Outside of Tires	-21 mm -0.8"	-15 mm -0.6"	-25 mm -1"	-684 mm -26.9"	-684 mm -26.9"
Change in Clearance Circle to Inside of Tires	21 mm 0.8"	15 mm 0.6"	25 mm 1"	684 mm 26.9"	684 mm 26.9"
Change in Operating Weight (without ballast)	472 kg 1,041 lb	-548 kg -1,208 lb	-452 kg -997 lb		
Change in Static Tipping Load – Straight	314 kg 692 lb	-366 kg -806 lb	-302 kg -665 lb		
Change in Static Tipping Load – Articulated	274 kg 604 lb	-319 kg -703 lb	-263 kg -580 lb		
Rear Axle Oscillation Angle	±8 degrees	±13 degrees	±13 degrees	±8 degrees	±8 degrees
Maximum Single-Wheel Rise and Fall	298 mm 1'0"	481 mm 1'7"	481 mm 1'7"	298 mm 1'0"	298 mm 1'0"

\*Width over tire bulge and includes tire growth.

# 950 Wheel Loader Specifications

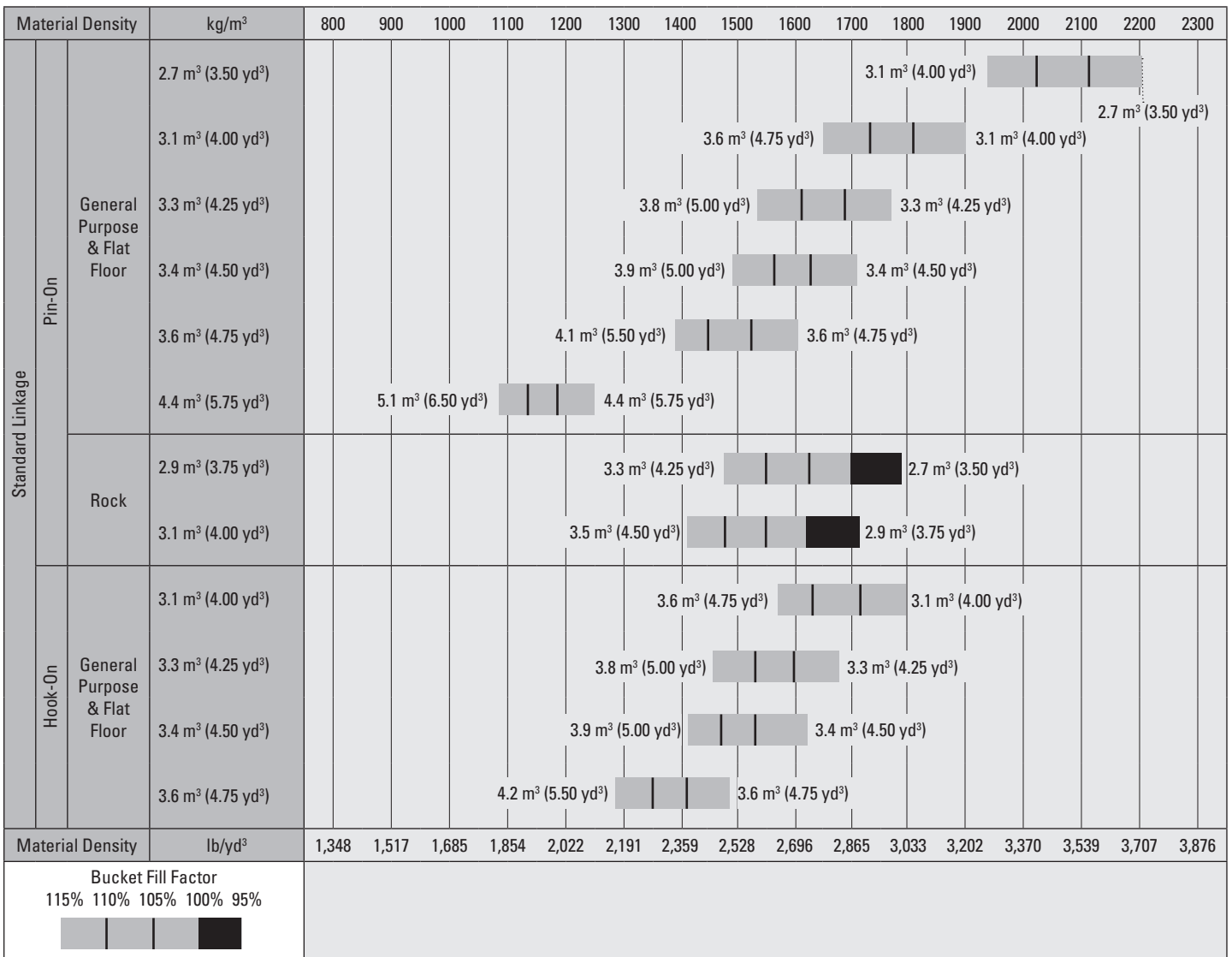
## Bucket Fill Factors and Selection Guide

The bucket size must be chosen based on the density of the material and on the expected fill factor. The Cat Performance Series Buckets with longer floor, larger bucket opening, increased repository angle, rounded side boards and integrated spill guard demonstrate fill factors significantly higher than previous generation or non-Cat buckets. The actual volume handled by the machine is thus often larger than the rated capacity.

Loose Material		Fill Factor (%)*	Material Density
Earth/Clay		115	1.5-1.7
Sand and Gravel		115	1.5-1.7
Aggregate:	25-76 mm (1 to 3 in)	110	1.6-1.7
	19 mm (0.75 in) and smaller	105	1.8
Rock:	76 mm (3 in) and larger	100	1.6

\*As a % of ISO 7546:1983 rated capacity.

**Note:** Fill Factors achieved will also depend on whether the product is washed or not washed.



**Note:** All buckets are showing Bolt-On Edges.

# 950 Wheel Loader Specifications

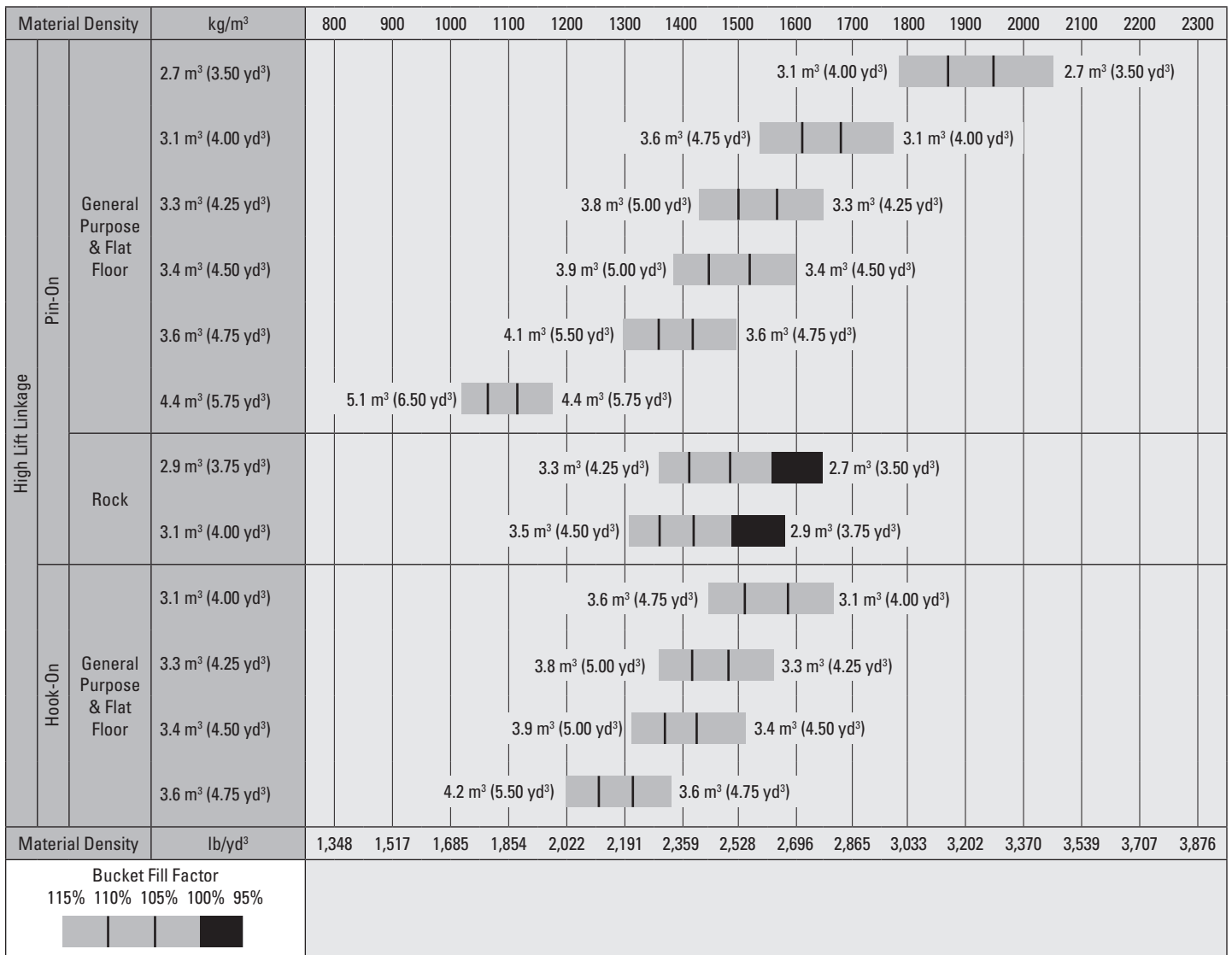
## Bucket Fill Factors and Selection Guide

The bucket size must be chosen based on the density of the material and on the expected fill factor. The Cat Performance Series Buckets with longer floor, larger bucket opening, increased repository angle, rounded side boards and integrated spill guard demonstrate fill factors significantly higher than previous generation or non-Cat buckets. The actual volume handled by the machine is thus often larger than the rated capacity.

Loose Material		Fill Factor (%)*	Material Density
Earth/Clay		115	1.5-1.7
Sand and Gravel		115	1.5-1.7
Aggregate:	25-76 mm (1 to 3 in)	110	1.6-1.7
	19 mm (0.75 in) and smaller	105	1.8
Rock:	76 mm (3 in) and larger	100	1.6

\*As a % of ISO 7546:1983 rated capacity.

**Note:** Fill Factors achieved will also depend on whether the product is washed or not washed.



**Note:** All buckets are showing Bolt-On Edges.



# 950 Wheel Loader Specifications

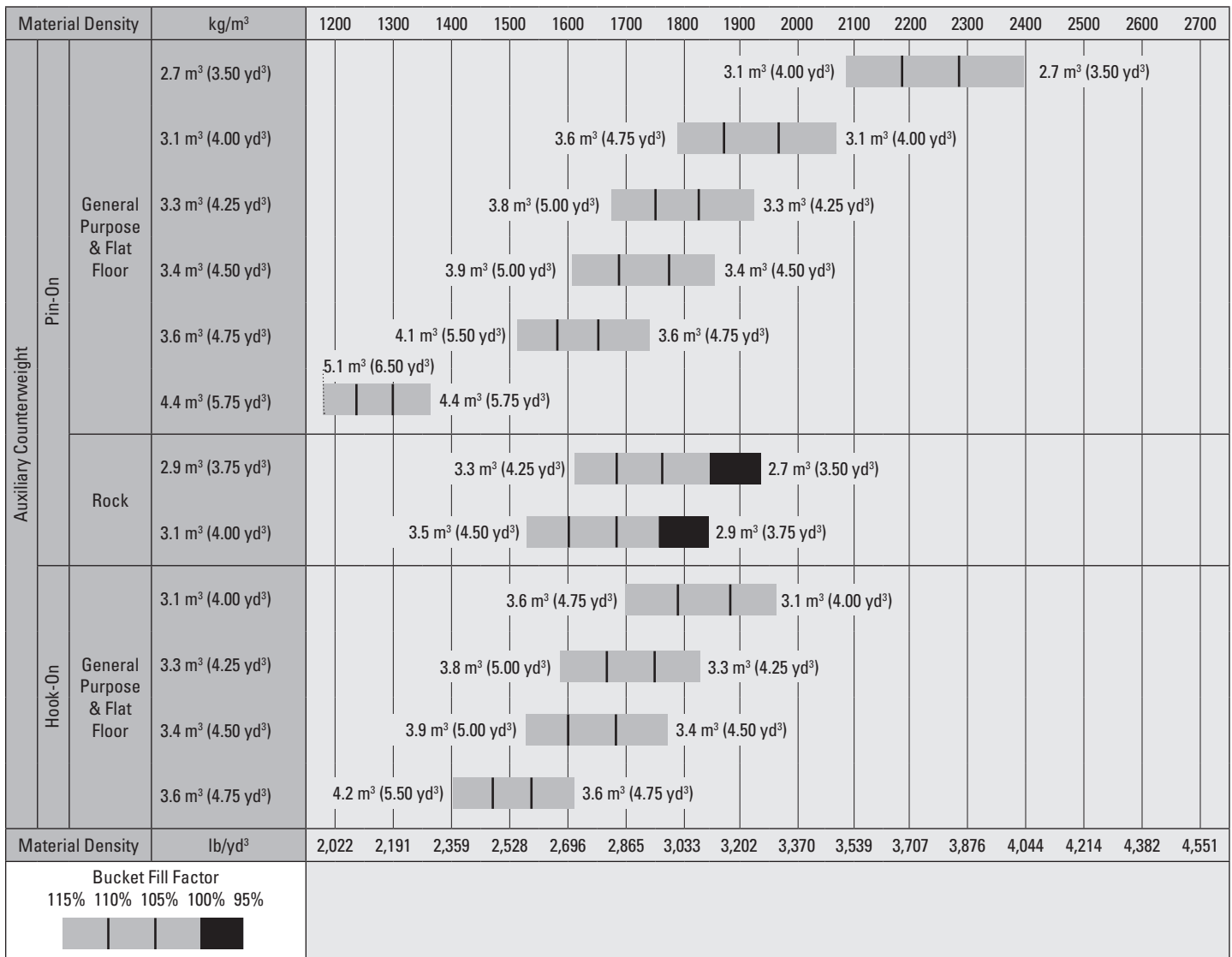
## Bucket Fill Factors and Selection Guide

The bucket size must be chosen based on the density of the material and on the expected fill factor. The Cat Performance Series Buckets with longer floor, larger bucket opening, increased repository angle, rounded side boards and integrated spill guard demonstrate fill factors significantly higher than previous generation or non-Cat buckets. The actual volume handled by the machine is thus often larger than the rated capacity.

Loose Material		Fill Factor (%)*	Material Density
Earth/Clay		115	1.5-1.7
Sand and Gravel		115	1.5-1.7
Aggregate:	25-76 mm (1 to 3 in)	110	1.6-1.7
	19 mm (0.75 in) and smaller	105	1.8
Rock:	76 mm (3 in) and larger	100	1.6

\*As a % of ISO 7546:1983 rated capacity.

**Note:** Fill Factors achieved will also depend on whether the product is washed or not washed.



**Note:** All buckets are showing Bolt-On Edges.

# 950 Wheel Loader Specifications

## Bucket Fill Factors and Selection Guide

The bucket size must be chosen based on the density of the material and on the expected fill factor. The Cat Performance Series Buckets with longer floor, larger bucket opening, increased repository angle, rounded side boards and integrated spill guard demonstrate fill factors significantly higher than previous generation or non-Cat buckets. The actual volume handled by the machine is thus often larger than the rated capacity.

Loose Material		Fill Factor (%)*	Material Density
Earth/Clay		115	1.5-1.7
Sand and Gravel		115	1.5-1.7
Aggregate:	25-76 mm (1 to 3 in)	110	1.6-1.7
	19 mm (0.75 in) and smaller	105	1.8
Rock:	76 mm (3 in) and larger	100	1.6

\*As a % of ISO 7546:1983 rated capacity.

**Note:** Fill Factors achieved will also depend on whether the product is washed or not washed.

Material Density	kg/m <sup>3</sup>	300	400	500	600	700	800	900	1000	1100	1200	1300	1400
Standard Linkage	7.7 m <sup>3</sup> (10.00 yd <sup>3</sup> )				8.8 m <sup>3</sup> (11.50 yd <sup>3</sup> )	7.7 m <sup>3</sup> (10.00 yd <sup>3</sup> )							
	9.2 m <sup>3</sup> (12.00 yd <sup>3</sup> )		10.6 m <sup>3</sup> (13.75 yd <sup>3</sup> )		9.2 m <sup>3</sup> (12.00 yd <sup>3</sup> )								
High Lift Linkage Hook-On	7.7 m <sup>3</sup> (10.00 yd <sup>3</sup> )				8.8 m <sup>3</sup> (11.50 yd <sup>3</sup> )	7.7 m <sup>3</sup> (10.00 yd <sup>3</sup> )							
	9.2 m <sup>3</sup> (12.00 yd <sup>3</sup> )		10.6 m <sup>3</sup> (13.75 yd <sup>3</sup> )		9.2 m <sup>3</sup> (12.00 yd <sup>3</sup> )								
Auxiliary Counterweight	7.7 m <sup>3</sup> (10.00 yd <sup>3</sup> )				8.8 m <sup>3</sup> (11.50 yd <sup>3</sup> )	7.7 m <sup>3</sup> (10.00 yd <sup>3</sup> )							
	9.2 m <sup>3</sup> (12.00 yd <sup>3</sup> )		10.6 m <sup>3</sup> (13.75 yd <sup>3</sup> )		9.2 m <sup>3</sup> (12.00 yd <sup>3</sup> )								
Material Density	lb/yd <sup>3</sup>	506	674	843	1,011	1,180	1,348	1,517	1,685	1,854	2,022	2,191	2,359
Bucket Fill Factor													
115% 110% 105% 100% 95%													

**Note:** All buckets are showing Bolt-On Edges.

# 950 Wheel Loader Specifications

## Operating Specifications – Buckets

Linkage		Standard Linkage								
Bucket Type		General Purpose – Pin-On								
Edge Type		Bolt-On Cutting Edges	Teeth and Segments	Tips	Bolt-On Cutting Edges	Teeth and Segments	Tips	Bolt-On Cutting Edges	Teeth and Segments	Tips
Capacity – Rated	m <sup>3</sup>	2.70	2.70	2.50	3.10	3.10	2.90	3.30	3.30	3.10
	yd <sup>3</sup>	3.50	3.50	3.25	4.00	4.00	3.75	4.25	4.25	4.00
Capacity – Rated at 110% Fill Factor	m <sup>3</sup>	3.00	3.00	2.80	3.40	3.40	3.20	3.60	3.60	3.40
	yd <sup>3</sup>	4.00	4.00	3.75	4.50	4.50	4.25	4.75	4.75	4.50
Width	mm	2927	2994	2994	2927	2994	2994	2927	2994	2994
	ft/in	9'7"	9'9"	9'9"	9'7"	9'9"	9'9"	9'7"	9'9"	9'9"
<b>16</b> † Dump Clearance at Maximum Lift and 45° Discharge	mm	2924	2809	2809	2844	2726	2726	2805	2687	2687
	ft/in	9'7"	9'2"	9'2"	9'3"	8'11"	8'11"	9'2"	8'9"	8'9"
<b>17</b> † Reach at Maximum Lift and 45° Discharge	mm	1269	1383	1383	1325	1436	1436	1355	1465	1465
	ft/in	4'1"	4'6"	4'6"	4'4"	4'8"	4'8"	4'5"	4'9"	4'9"
Reach at Level Lift Arm and Bucket Level	mm	2533	2694	2694	2633	2794	2794	2683	2844	2844
	ft/in	8'3"	8'10"	8'10"	8'7"	9'2"	9'2"	8'9"	9'3"	9'3"
<b>A</b> † Digging Depth	mm	101	101	71	101	101	71	101	101	71
	in	4"	4"	2.8"	4"	4"	2.8"	4"	4"	2.8"
<b>12</b> † Overall Length	mm	8138	8313	8313	8238	8413	8413	8288	8463	8463
	ft/in	26'9"	27'4"	27'4"	27'1"	27'8"	27'8"	27'3"	27'10"	27'10"
<b>B</b> † Overall Height with Bucket at Maximum Lift	mm	5351	5351	5351	5313	5313	5313	5488	5488	5488
	ft/in	17'7"	17'7"	17'7"	17'6"	17'6"	17'6"	18'1"	18'1"	18'1"
Loader Clearance Circle Radius with Bucket at Carry Position	mm	6652	6733	6733	6679	6761	6761	6693	6775	6775
	ft/in	21'10"	22'2"	22'2"	21'11"	22'3"	22'3"	22'0"	22'3"	22'3"
Static Tipping Load, Straight (With tire deflection)	kg	12 822	12 684	12 955	12 639	12 499	12 764	12 543	12 402	12 661
	lb	28,269	27,964	28,561	27,865	27,557	28,141	27,653	27,343	27,914
Static Tipping Load, Straight (No tire deflection)	kg	13 507	13 368	13 643	13 329	13 187	13 457	13 234	13 092	13 356
	lb	29,779	29,471	30,079	29,385	29,073	29,669	29,177	28,864	29,445
Static Tipping Load, Articulated (With tire deflection)	kg	11 109	10 970	11 224	10 935	10 795	11 043	10 844	10 704	10 946
	lb	24,491	24,186	24,745	24,109	23,800	24,347	23,908	23,598	24,133
Static Tipping Load, Articulated (No tire deflection)	kg	11 799	11 660	11 917	11 630	11 489	11 741	11 541	11 399	11 645
	lb	26,013	25,706	26,274	25,641	25,329	25,885	25,445	25,132	25,674
Breakout Force (§)	kN	166	164	181	152	150	165	145	144	158
	lbf	37,312	37,041	40,845	34,191	33,922	37,169	32,799	32,532	35,547
Operating Weight*	kg	17 988	18 096	17 939	18 077	18 185	18 028	18 122	18 230	18 073
	lb	39,656	39,894	39,548	39,852	40,090	39,744	39,951	40,189	39,843

\* Static tipping loads and operating weights shown are based on a machine configuration with Bridgestone 23.5R25 VJT L3 radial tires, full fluids, operator, standard counterweight, ride control, cold start, roading fenders, Product Link™, manual diff lock/open axles (front and rear), powertrain guard, secondary steering and sound suppression.

† Illustration shown with Dimension charts.

\*\*\* Rock bucket specifications are given on Bridgestone 23.5R25 VSDL L5 radial tires.

(§) Measured 100 mm (4") behind tip of cutting edge with bucket hinge pin as pivot point in accordance with ISO 14397-2:2007.

(With tire deflection) Full compliance to ISO 14397-1:2007 Sections 1 thru 6, which requires 2% verification between calculations and testing.

(No tire deflection) Compliance to ISO 14397-1:2007 Sections 1 thru 5.

Other buckets are available and offerings vary by region. Consult your local Cat dealer for further details.

# 950 Wheel Loader Specifications

## Operating Specifications – Buckets (continued)

Linkage		Standard Linkage					
Bucket Type		General Purpose – Pin On			General Purpose – Pin On		
Edge Type		Bolt-On Cutting Edges	Teeth and Segments	Tips	Bolt-On Cutting Edges	Teeth and Segments	Tips
Capacity – Rated	m <sup>3</sup>	3.40	3.40	3.20	3.60	3.60	3.40
	yd <sup>3</sup>	4.50	4.50	4.25	4.75	4.75	4.50
Capacity – Rated at 110% Fill Factor	m <sup>3</sup>	3.70	3.70	3.50	4.00	4.00	3.70
	yd <sup>3</sup>	4.75	4.75	4.50	5.25	5.25	4.75
Width	mm	2927	2994	2994	2927	2994	2994
	ft/in	9'7"	9'9"	9'9"	9'7"	9'9"	9'9"
16† Dump Clearance at Maximum Lift and 45° Discharge	mm	2779	2660	2660	2733	2614	2614
	ft/in	9'1"	8'8"	8'8"	8'11"	8'6"	8'6"
17† Reach at Maximum Lift and 45° Discharge	mm	1377	1487	1487	1413	1523	1523
	ft/in	4'6"	4'10"	4'10"	4'7"	4'11"	4'11"
Reach at Level Lift Arm and Bucket Level	mm	2718	2879	2879	2778	2939	2939
	ft/in	8'11"	9'5"	9'5"	9'1"	9'7"	9'7"
A† Digging Depth	mm	101	101	71	101	101	71
	in	4"	4"	2.8"	4"	4"	2.8"
12† Overall Length	mm	8323	8498	8498	8383	8558	8558
	ft/in	27'4"	27'11"	27'11"	27'7"	28'1"	28'1"
B† Overall Height with Bucket at Maximum Lift	mm	5517	5517	5517	5575	5575	5575
	ft/in	18'2"	18'2"	18'2"	18'4"	18'4"	18'4"
Loader Clearance Circle Radius with Bucket at Carry Position	mm	6702	6785	6785	6719	6802	6802
	ft/in	22'0"	22'4"	22'4"	22'1"	22'4"	22'4"
Static Tipping Load, Straight (With tire deflection)	kg	12,481	12,340	12,592	12,365	12,222	12,472
	lb	27,517	27,205	27,760	27,260	26,946	27,497
Static Tipping Load, Straight (No tire deflection)	kg	13,174	13,031	13,287	13,060	12,916	13,170
	lb	29,044	28,730	29,293	28,792	28,475	29,035
Static Tipping Load, Articulated (With tire deflection)	kg	10,786	10,644	10,880	10,675	10,533	10,767
	lb	23,779	23,467	23,987	23,536	23,222	23,737
Static Tipping Load, Articulated (No tire deflection)	kg	11,484	11,341	11,580	11,376	11,232	11,469
	lb	25,319	25,004	25,531	25,080	24,764	25,286
Breakout Force (§)	kN	141	140	153	135	134	145
	lbf	31,885	31,618	34,487	30,410	30,145	32,788
Operating Weight*	kg	18,152	18,260	18,103	18,210	18,318	18,161
	lb	40,017	40,255	39,909	40,145	40,383	40,037

\* Static tipping loads and operating weights shown are based on a machine configuration with Bridgestone 23.5R25 VJT L3 radial tires, full fluids, operator, standard counterweight, ride control, cold start, roading fenders, Product Link, manual diff lock/open axles (front and rear), powertrain guard, secondary steering and sound suppression.

† Illustration shown with Dimension charts.

\*\*\* Rock bucket specifications are given on Bridgestone 23.5R25 VSDL L5 radial tires.

(§) Measured 100 mm (4") behind tip of cutting edge with bucket hinge pin as pivot point in accordance with ISO 14397-2:2007.

(With tire deflection) Full compliance to ISO 14397-1:2007 Sections 1 thru 6, which requires 2% verification between calculations and testing.

(No tire deflection) Compliance to ISO 14397-1:2007 Sections 1 thru 5.

Other buckets are available and offerings vary by region. Consult your local Cat dealer for further details.

# 950 Wheel Loader Specifications

## Operating Specifications – Buckets (continued)

Linkage		Standard Linkage					
Bucket Type		General Purpose – Hook-On – Fusion™					
Edge Type		Bolt-On Cutting Edges	Teeth and Segments	Tips	Bolt-On Cutting Edges	Teeth and Segments	Tips
Capacity – Rated	m <sup>3</sup>	3.10	3.10	2.90	3.30	3.30	3.10
	yd <sup>3</sup>	4.00	4.00	3.75	4.25	4.25	4.00
Capacity – Rated at 110% Fill Factor	m <sup>3</sup>	3.40	3.40	3.20	3.60	3.60	3.40
	yd <sup>3</sup>	4.50	4.50	4.25	4.75	4.75	4.50
Width	mm	2927	2994	2994	2958	2999	2999
	ft/in	9'7"	9'9"	9'9"	9'8"	9'10"	9'10"
<b>16</b> † Dump Clearance at Maximum Lift and 45° Discharge	mm	2802	2685	2685	2763	2646	2646
	ft/in	9'2"	8'9"	8'9"	9'0"	8'8"	8'8"
<b>17</b> † Reach at Maximum Lift and 45° Discharge	mm	1361	1473	1473	1391	1497	1497
	ft/in	4'5"	4'10"	4'10"	4'6"	4'10"	4'10"
Reach at Level Lift Arm and Bucket Level	mm	2688	2849	2849	2738	2894	2894
	ft/in	8'9"	9'4"	9'4"	8'11"	9'5"	9'5"
<b>A</b> † Digging Depth	mm	109	109	79	109	109	79
	in	4.3"	4.3"	3.1"	4.3"	4.3"	3.1"
<b>12</b> † Overall Length	mm	8300	8474	8474	8350	8521	8521
	ft/in	27'3"	27'10"	27'10"	27'5"	28'0"	28'0"
<b>B</b> † Overall Height with Bucket at Maximum Lift	mm	5456	5456	5456	5507	5507	5507
	ft/in	17'11"	17'11"	17'11"	18'1"	18'1"	18'1"
Loader Clearance Circle Radius with Bucket at Carry Position	mm	6694	6776	6776	6722	6792	6792
	ft/in	22'0"	22'3"	22'3"	22'1"	22'4"	22'4"
Static Tipping Load, Straight (With tire deflection)	kg	12 027	11 888	12 214	11 843	11 733	12 057
	lb	26,516	26,209	26,928	26,110	25,866	26,581
Static Tipping Load, Straight (No tire deflection)	kg	12 704	12 563	12 899	12 521	12 410	12 744
	lb	28,007	27,697	28,439	27,605	27,359	28,096
Static Tipping Load, Articulated (With tire deflection)	kg	10 350	10 210	10 519	10 170	10 060	10 367
	lb	22,818	22,510	23,192	22,422	22,179	22,855
Static Tipping Load, Articulated (No tire deflection)	kg	11 032	10 891	11 210	10 855	10 743	11 060
	lb	24,322	24,012	24,715	23,931	23,685	24,383
Breakout Force (§)	kN	145	143	157	138	137	150
	lbf	32,606	32,336	35,324	31,154	30,928	33,716
Operating Weight*	kg	18 555	18 663	18 506	18 681	18 764	18 611
	lb	40,906	41,144	40,798	41,184	41,367	41,031

\* Static tipping loads and operating weights shown are based on a machine configuration with Bridgestone 23.5R25 VJT L3 radial tires, full fluids, operator, standard counterweight, ride control, cold start, roading fenders, Product Link, manual diff lock/open axles (front and rear), powertrain guard, secondary steering and sound suppression.

† Illustration shown with Dimension charts.

\*\*\* Rock bucket specifications are given on Bridgestone 23.5R25 VSDL L5 radial tires.

(§) Measured 100 mm (4") behind tip of cutting edge with bucket hinge pin as pivot point in accordance with ISO 14397-2:2007.

(With tire deflection) Full compliance to ISO 14397-1:2007 Sections 1 thru 6, which requires 2% verification between calculations and testing.

(No tire deflection) Compliance to ISO 14397-1:2007 Sections 1 thru 5.

Other buckets are available and offerings vary by region. Consult your local Cat dealer for further details.

# 950 Wheel Loader Specifications

## Operating Specifications – Buckets *(continued)*

Linkage		Standard Linkage			
Bucket Type	General Purpose – Hook-On – Fusion				General Purpose – Hook-On – Fusion – Abrasion
Edge Type	Bolt-On Cutting Edges	Teeth and Segments	Tips	Bolt-On Cutting Edges	
Capacity – Rated	m <sup>3</sup>	3.40	3.40	3.20	3.60
	yd <sup>3</sup>	4.50	4.50	4.25	4.75
Capacity – Rated at 110% Fill Factor	m <sup>3</sup>	3.70	3.70	3.50	4.00
	yd <sup>3</sup>	4.75	4.75	4.50	5.25
Width	mm	2927	2994	2994	2956
	ft/in	9'7"	9'9"	9'9"	9'8"
<b>16</b> † Dump Clearance at Maximum Lift and 45° Discharge	mm	2737	2618	2618	2688
	ft/in	8'11"	8'7"	8'7"	8'9"
<b>17</b> † Reach at Maximum Lift and 45° Discharge	mm	1413	1523	1523	1453
	ft/in	4'7"	4'11"	4'11"	4'9"
Reach at Level Lift Arm and Bucket Level	mm	2773	2934	2934	2837
	ft/in	9'1"	9'7"	9'7"	9'3"
<b>A</b> † Digging Depth	mm	109	109	79	109
	in	4.3"	4.3"	3.1"	4.3"
<b>12</b> † Overall Length	mm	8385	8559	8559	8449
	ft/in	27'7"	28'1"	28'1"	27'9"
<b>B</b> † Overall Height with Bucket at Maximum Lift	mm	5536	5536	5536	5613
	ft/in	18'2"	18'2"	18'2"	18'5"
Loader Clearance Circle Radius with Bucket at Carry Position	mm	6718	6801	6801	6754
	ft/in	22'1"	22'4"	22'4"	22'2"
Static Tipping Load, Straight (With tire deflection)	kg	11 876	11 735	12 053	11 623
	lb	26,182	25,871	26,574	25,626
Static Tipping Load, Straight (No tire deflection)	kg	12 555	12 413	12 741	12 299
	lb	27,680	27,366	28,091	27,114
Static Tipping Load, Articulated (With tire deflection)	kg	10 206	10 065	10 368	9966
	lb	22,500	22,190	22,858	21,971
Static Tipping Load, Articulated (No tire deflection)	kg	10 891	10 749	11 062	10 647
	lb	24,012	23,698	24,387	23,474
Breakout Force (§)	kN	135	134	146	128
	lbf	30,474	30,206	32,863	28,881
Operating Weight*	kg	18 631	18 739	18 582	18 768
	lb	41,073	41,311	40,965	41,375

\* Static tipping loads and operating weights shown are based on a machine configuration with Bridgestone 23.5R25 VJT L3 radial tires, full fluids, operator, standard counterweight, ride control, cold start, roading fenders, Product Link, manual diff lock/open axles (front and rear), powertrain guard, secondary steering and sound suppression.

† Illustration shown with Dimension charts.

\*\*\* Rock bucket specifications are given on Bridgestone 23.5R25 VSDL L5 radial tires.

(§) Measured 100 mm (4") behind tip of cutting edge with bucket hinge pin as pivot point in accordance with ISO 14397-2:2007.

(With tire deflection) Full compliance to ISO 14397-1:2007 Sections 1 thru 6, which requires 2% verification between calculations and testing.

(No tire deflection) Compliance to ISO 14397-1:2007 Sections 1 thru 5.

Other buckets are available and offerings vary by region. Consult your local Cat dealer for further details.

# 950 Wheel Loader Specifications

## Operating Specifications – Buckets (continued)

Linkage		Standard Linkage					
Bucket Type		Flat Floor – Pin-On					
Edge Type		Bolt-On Cutting Edges	Teeth and Segments	Tips	Bolt-On Cutting Edges	Teeth and Segments	Tips
Capacity – Rated	m <sup>3</sup>	3.20	3.20	3.00	3.40	3.40	3.20
	yd <sup>3</sup>	4.25	4.25	4.00	4.50	4.50	4.25
Capacity – Rated at 110% Fill Factor	m <sup>3</sup>	3.50	3.50	3.30	3.70	3.70	3.50
	yd <sup>3</sup>	4.50	4.50	4.25	4.75	4.75	4.50
Width	mm	2927	2994	2994	2927	2994	2994
	ft/in	9'7"	9'9"	9'9"	9'7"	9'9"	9'9"
16† Dump Clearance at Maximum Lift and 45° Discharge	mm	2744	2619	2619	2709	2584	2584
	ft/in	9'0"	8'7"	8'7"	8'10"	8'5"	8'5"
17† Reach at Maximum Lift and 45° Discharge	mm	1261	1364	1364	1297	1399	1399
	ft/in	4'1"	4'5"	4'5"	4'3"	4'7"	4'7"
Reach at Level Lift Arm and Bucket Level	mm	2678	2839	2839	2728	2889	2889
	ft/in	8'9"	9'3"	9'3"	8'11"	9'5"	9'5"
A† Digging Depth	mm	109	109	79	109	109	79
	in	4.3"	4.3"	3.1"	4.3"	4.3"	3.1"
12† Overall Length	mm	8290	8464	8464	8340	8514	8514
	ft/in	27'3"	27'10"	27'10"	27'5"	28'0"	28'0"
B† Overall Height with Bucket at Maximum Lift	mm	5478	5478	5478	5527	5527	5527
	ft/in	18'0"	18'0"	18'0"	18'2"	18'2"	18'2"
Loader Clearance Circle Radius with Bucket at Carry Position	mm	6695	6777	6777	6709	6791	6791
	ft/in	22'0"	22'3"	22'3"	22'1"	22'4"	22'4"
Static Tipping Load, Straight (With tire deflection)	kg	12 430	12 291	12 547	12 339	12 198	12 450
	lb	27,404	27,097	27,662	27,203	26,893	27,448
Static Tipping Load, Straight (No tire deflection)	kg	13 106	12 965	13 225	13 017	12 875	13 130
	lb	28,894	28,583	29,157	28,697	28,385	28,948
Static Tipping Load, Articulated (With tire deflection)	kg	10 748	10 608	10 849	10 661	10 521	10 757
	lb	23,696	23,388	23,919	23,504	23,194	23,715
Static Tipping Load, Articulated (No tire deflection)	kg	11 430	11 289	11 533	11 345	11 203	11 443
	lb	25,199	24,888	25,426	25,012	24,700	25,227
Breakout Force (§)	kN	146	145	158	140	139	152
	lbf	32,907	32,638	35,672	31,602	31,333	34,160
Operating Weight*	kg	18 109	18 217	18 060	18 157	18 265	18 108
	lb	39,922	40,161	39,814	40,028	40,266	39,920

\* Static tipping loads and operating weights shown are based on a machine configuration with Bridgestone 23.5R25 VJT L3 radial tires, full fluids, operator, standard counterweight, ride control, cold start, roading fenders, Product Link, manual diff lock/open axles (front and rear), powertrain guard, secondary steering and sound suppression.

† Illustration shown with Dimension charts.

\*\*\* Rock bucket specifications are given on Bridgestone 23.5R25 VSDL L5 radial tires.

(§) Measured 100 mm (4") behind tip of cutting edge with bucket hinge pin as pivot point in accordance with ISO 14397-2:2007.

(With tire deflection) Full compliance to ISO 14397-1:2007 Sections 1 thru 6, which requires 2% verification between calculations and testing.

(No tire deflection) Compliance to ISO 14397-1:2007 Sections 1 thru 5.

Other buckets are available and offerings vary by region. Consult your local Cat dealer for further details.

# 950 Wheel Loader Specifications

## Operating Specifications – Buckets *(continued)*

Linkage		Standard Linkage			
Bucket Type		Flat Floor – Pin-On			Flat Floor – Pin-On – Light Material
Edge Type		Bolt-On Cutting Edges	Teeth and Segments	Tips	Bolt-On Cutting Edges
Capacity – Rated	m <sup>3</sup>	3.80	3.80	3.60	4.40
	yd <sup>3</sup>	5.00	5.00	4.75	5.75
Capacity – Rated at 110% Fill Factor	m <sup>3</sup>	4.20	4.20	4.00	4.80
	yd <sup>3</sup>	5.50	5.50	5.25	6.25
Width	mm	2927	2994	2994	3059
	ft/in	9'7"	9'9"	9'9"	10'0"
<b>16</b> † Dump Clearance at Maximum Lift and 45° Discharge	mm	2631	2505	2505	2575
	ft/in	8'7"	8'2"	8'2"	8'5"
<b>17</b> † Reach at Maximum Lift and 45° Discharge	mm	1375	1478	1478	1419
	ft/in	4'6"	4'10"	4'10"	4'7"
Reach at Level Lift Arm and Bucket Level	mm	2839	3000	3000	2909
	ft/in	9'3"	9'10"	9'10"	9'6"
<b>A</b> † Digging Depth	mm	109	109	79	117
	in	4.3"	4.3"	3.1"	4.6"
<b>12</b> † Overall Length	mm	8451	8625	8625	8527
	ft/in	27'9"	28'4"	28'4"	28'0"
<b>B</b> † Overall Height with Bucket at Maximum Lift	mm	5626	5626	5626	5704
	ft/in	18'6"	18'6"	18'6"	18'9"
Loader Clearance Circle Radius with Bucket at Carry Position	mm	6740	6823	6823	6822
	ft/in	22'2"	22'5"	22'5"	22'5"
Static Tipping Load, Straight (With tire deflection)	kg	12 144	12 001	12 238	11 880
	lb	26,773	26,459	26,981	26,191
Static Tipping Load, Straight (No tire deflection)	kg	12 827	12 683	12 923	12 565
	lb	28,279	27,963	28,491	27,701
Static Tipping Load, Articulated (With tire deflection)	kg	10 475	10 333	10 555	10 222
	lb	23,095	22,781	23,271	22,535
Static Tipping Load, Articulated (No tire deflection)	kg	11 165	11 021	11 246	10 913
	lb	24,615	24,298	24,793	24,059
Breakout Force (§)	kN	129	127	138	121
	lbf	29,009	28,742	31,183	27,368
Operating Weight*	kg	18 259	18 367	18 210	18 415
	lb	40,253	40,491	40,145	40,597

\* Static tipping loads and operating weights shown are based on a machine configuration with Bridgestone 23.5R25 VJT L3 radial tires, full fluids, operator, standard counterweight, ride control, cold start, roading fenders, Product Link, manual diff lock/open axles (front and rear), powertrain guard, secondary steering and sound suppression.

† Illustration shown with Dimension charts.

\*\*\* Rock bucket specifications are given on Bridgestone 23.5R25 VSDL L5 radial tires.

(§) Measured 100 mm (4") behind tip of cutting edge with bucket hinge pin as pivot point in accordance with ISO 14397-2:2007.

(With tire deflection) Full compliance to ISO 14397-1:2007 Sections 1 thru 6, which requires 2% verification between calculations and testing.

(No tire deflection) Compliance to ISO 14397-1:2007 Sections 1 thru 5.

Other buckets are available and offerings vary by region. Consult your local Cat dealer for further details.



# 950 Wheel Loader Specifications

## Operating Specifications – Buckets (continued)

Linkage		Standard Linkage						
Bucket Type		Flat Floor – Hook-On – Fusion						
Edge Type		Bolt-On Cutting Edges	Teeth and Segments	Tips	Bolt-On Cutting Edges	Bolt-On Cutting Edges	Teeth and Segments	Tips
Capacity – Rated	m <sup>3</sup>	3.40	3.40	3.30	3.60	3.80	3.80	3.70
	yd <sup>3</sup>	4.50	4.50	4.25	4.75	5.00	5.00	4.75
Capacity – Rated at 110% Fill Factor	m <sup>3</sup>	3.70	3.70	3.60	4.00	4.20	4.20	4.00
	yd <sup>3</sup>	4.75	4.75	4.75	5.25	5.50	5.50	5.25
Width	mm	2927	2994	2994	2927	2927	2994	2994
	ft/in	9'7"	9'9"	9'9"	9'7"	9'7"	9'9"	9'9"
<b>16</b> † Dump Clearance at Maximum Lift and 45° Discharge	mm	2783	2672	2672	2649	2596	2470	2470
	ft/in	9'1"	8'9"	8'9"	8'8"	8'6"	8'1"	8'1"
<b>17</b> † Reach at Maximum Lift and 45° Discharge	mm	1223	1311	1311	1357	1410	1512	1512
	ft/in	4'0"	4'3"	4'3"	4'5"	4'7"	4'11"	4'11"
Reach at Level Lift Arm and Bucket Level	mm	2622	2764	2764	2813	2888	3049	3049
	ft/in	8'7"	9'0"	9'0"	9'2"	9'5"	10'0"	10'0"
<b>A</b> † Digging Depth	mm	109	109	79	109	109	109	79
	in	4.3"	4.3"	3.1"	4.3"	4.3"	4.3"	3.1"
<b>12</b> † Overall Length	mm	8235	8389	8389	8425	8500	8674	8674
	ft/in	27'1"	27'7"	27'7"	27'8"	27'11"	28'6"	28'6"
<b>B</b> † Overall Height with Bucket at Maximum Lift	mm	5450	5450	5450	5579	5656	5656	5656
	ft/in	17'11"	17'11"	17'11"	18'4"	18'7"	18'7"	18'7"
Loader Clearance Circle Radius with Bucket at Carry Position	mm	6675	6752	6752	6729	6751	6835	6835
	ft/in	21'11"	22'2"	22'2"	22'1"	22'2"	22'6"	22'6"
Static Tipping Load, Straight (With tire deflection)	kg	12 454	12 313	12 647	11 849	11 620	11 478	11 793
	lb	27,457	27,146	27,882	26,124	25,618	25,305	26,000
Static Tipping Load, Straight (No tire deflection)	kg	13 171	13 028	13 375	12 533	12 296	12 153	12 478
	lb	29,037	28,723	29,486	27,632	27,108	26,793	27,510
Static Tipping Load, Articulated (With tire deflection)	kg	10 738	10 597	10 914	10 180	9969	9828	10 127
	lb	23,674	23,363	24,061	22,443	21,979	21,667	22,328
Static Tipping Load, Articulated (No tire deflection)	kg	11 459	11 317	11 645	10 869	10 652	10 509	10 818
	lb	25,264	24,950	25,674	23,963	23,484	23,168	23,851
Breakout Force (§)	kN	153	151	166	131	124	123	133
	lbf	34,430	34,159	37,447	29,554	27,942	27,676	29,971
Operating Weight*	kg	18 420	18 528	18 371	18 638	18 723	18 831	18 674
	lb	40,608	40,846	40,500	41,089	41,276	41,514	41,168

\*Static tipping loads and operating weights shown are based on a machine configuration with Bridgestone 23.5R25 VJT L3 radial tires, full fluids, operator, standard counterweight, ride control, cold start, roading fenders, Product Link, manual diff lock/open axles (front and rear), powertrain guard, secondary steering and sound suppression.

† Illustration shown with Dimension charts.

\*\*\*Rock bucket specifications are given on Bridgestone 23.5R25 VSDL L5 radial tires.

(§) Measured 100 mm (4") behind tip of cutting edge with bucket hinge pin as pivot point in accordance with ISO 14397-2:2007.

(With tire deflection) Full compliance to ISO 14397-1:2007 Sections 1 thru 6, which requires 2% verification between calculations and testing.

(No tire deflection) Compliance to ISO 14397-1:2007 Sections 1 thru 5.

Other buckets are available and offerings vary by region. Consult your local Cat dealer for further details.

# 950 Wheel Loader Specifications

## Operating Specifications – Buckets (continued)

Linkage		Standard Linkage					
Bucket Type		Multi-Purpose – Pin-On			Multi-Purpose – Hook-On – Fusion		
Edge Type		Bolt-On Cutting Edges	Teeth and Segments	Tips	Bolt-On Cutting Edges	Teeth and Segments	Tips
Capacity – Rated	m <sup>3</sup>	2.80	2.80	2.60	2.90	2.90	2.70
	yd <sup>3</sup>	3.50	3.50	3.25	3.75	3.75	3.50
Capacity – Rated at 110% Fill Factor	m <sup>3</sup>	3.00	3.00	2.80	3.20	3.20	3.00
	yd <sup>3</sup>	4.00	4.00	3.75	4.25	4.25	4.00
Width	mm	2942	2999	2999	3007	3000	3000
	ft/in	9'7"	9'10"	9'10"	9'10"	9'10"	9'10"
16† Dump Clearance at Maximum Lift and 45° Discharge	mm	2944	2836	2836	2936	2827	2827
	ft/in	9'7"	9'3"	9'3"	9'7"	9'3"	9'3"
17† Reach at Maximum Lift and 45° Discharge	mm	1318	1434	1434	1408	1527	1527
	ft/in	4'3"	4'8"	4'8"	4'7"	5'0"	5'0"
Reach at Level Lift Arm and Bucket Level	mm	2538	2695	2695	2615	2776	2776
	ft/in	8'3"	8'10"	8'10"	8'6"	9'1"	9'1"
A† Digging Depth	mm	137	137	107	89	89	59
	in	5.3"	5.3"	4.2"	3.5"	3.5"	2.3"
12† Overall Length	mm	8172	8343	8343	8212	8388	8388
	ft/in	26'10"	27'5"	27'5"	27'0"	27'7"	27'7"
B† Overall Height with Bucket at Maximum Lift	mm	5268	5268	5268	5354	5354	5354
	ft/in	17'4"	17'4"	17'4"	17'7"	17'7"	17'7"
Loader Clearance Circle Radius with Bucket at Carry Position	mm	6675	6751	6751	6702	6751	6751
	ft/in	21'11"	22'2"	22'2"	22'0"	22'2"	22'2"
Static Tipping Load, Straight (With tire deflection)	kg	12 174	12 022	12 339	11 757	11 626	11 930
	lb	26,840	26,504	27,203	25,919	25,632	26,303
Static Tipping Load, Straight (No tire deflection)	kg	12 845	12 691	13 020	12 451	12 319	12 635
	lb	28,318	27,979	28,704	27,450	27,159	27,857
Static Tipping Load, Articulated (With tire deflection)	kg	10 481	10 329	10 629	10 067	9937	10 224
	lb	23,108	22,772	23,434	22,194	21,907	22,540
Static Tipping Load, Articulated (No tire deflection)	kg	11 158	11 004	11 316	10 766	10 635	10 934
	lb	24,599	24,260	24,948	23,737	23,446	24,105
Breakout Force (§)	kN	163	161	178	152	150	165
	lbf	36,642	36,325	40,036	34,181	33,913	37,177
Operating Weight*	kg	18 478	18 596	18 443	18 948	19 048	18 906
	lb	40,736	40,996	40,660	41,773	41,992	41,679

\* Static tipping loads and operating weights shown are based on a machine configuration with Bridgestone 23.5R25 VJT L3 radial tires, full fluids, operator, standard counterweight, ride control, cold start, roading fenders, Product Link, manual diff lock/open axles (front and rear), powertrain guard, secondary steering and sound suppression.

† Illustration shown with Dimension charts.

\*\*\* Rock bucket specifications are given on Bridgestone 23.5R25 VSDL L5 radial tires.

(§) Measured 100 mm (4") behind tip of cutting edge with bucket hinge pin as pivot point in accordance with ISO 14397-2:2007.

(With tire deflection) Full compliance to ISO 14397-1:2007 Sections 1 thru 6, which requires 2% verification between calculations and testing.

(No tire deflection) Compliance to ISO 14397-1:2007 Sections 1 thru 5.

Other buckets are available and offerings vary by region. Consult your local Cat dealer for further details.

# 950 Wheel Loader Specifications

## Operating Specifications – Buckets *(continued)*

Linkage		Standard Linkage	
Bucket Type		High Dump – Hook-On – Fusion	
Edge Type		Bolt-On Cutting Edges	Bolt-On Cutting Edges
Capacity – Rated	m <sup>3</sup>	4.30	6.10
	yd <sup>3</sup>	5.50	8.00
Capacity – Rated at 110% Fill Factor	m <sup>3</sup>	4.70	6.70
	yd <sup>3</sup>	6.25	8.75
Width	mm	3029	2910
	ft/in	9'11"	9'6"
<b>16</b> † Dump Clearance at Maximum Lift and 45° Discharge	mm	2406	2299
	ft/in	7'10"	7'6"
<b>17</b> † Reach at Maximum Lift and 45° Discharge	mm	1513	1613
	ft/in	4'11"	5'3"
Reach at Level Lift Arm and Bucket Level	mm	3095	3241
	ft/in	10'1"	10'7"
<b>A</b> † Digging Depth	mm	171	176
	in	6.7"	6.9"
<b>12</b> † Overall Length	mm	8754	8904
	ft/in	28'9"	29'3"
<b>B</b> † Overall Height with Bucket at Maximum Lift	mm	5663	6035
	ft/in	18'7"	19'10"
Loader Clearance Circle Radius with Bucket at Carry Position	mm	6882	6875
	ft/in	22'7"	22'7"
Static Tipping Load, Straight (With tire deflection)	kg	10 539	10 308
	lb	23,236	22,726
Static Tipping Load, Straight (No tire deflection)	kg	11 182	11 011
	lb	24,652	24,276
Static Tipping Load, Articulated (With tire deflection)	kg	8946	8689
	lb	19,723	19,156
Static Tipping Load, Articulated (No tire deflection)	kg	9596	9396
	lb	21,156	20,715
Breakout Force (§)	kN	105	95
	lbf	23,812	21,377
Operating Weight*	kg	19 298	19 658
	lb	42,544	43,337

\* Static tipping loads and operating weights shown are based on a machine configuration with Bridgestone 23.5R25 VJT L3 radial tires, full fluids, operator, standard counterweight, ride control, cold start, roading fenders, Product Link, manual diff lock/open axles (front and rear), powertrain guard, secondary steering and sound suppression.

† Illustration shown with Dimension charts.

\*\*\* Rock bucket specifications are given on Bridgestone 23.5R25 VSDL L5 radial tires.

(§) Measured 100 mm (4") behind tip of cutting edge with bucket hinge pin as pivot point in accordance with ISO 14397-2:2007.

(With tire deflection) Full compliance to ISO 14397-1:2007 Sections 1 thru 6, which requires 2% verification between calculations and testing.

(No tire deflection) Compliance to ISO 14397-1:2007 Sections 1 thru 5.

Other buckets are available and offerings vary by region. Consult your local Cat dealer for further details.

# 950 Wheel Loader Specifications

## Operating Specifications – Buckets *(continued)*

Linkage		Standard Linkage	
Bucket Type		Woodchip – Hook-On – Fusion	
Edge Type		Bolt-On Cutting Edges	Bolt-On Cutting Edges
Capacity – Rated	m <sup>3</sup>	7.70	9.20
	yd <sup>3</sup>	10.00	12.00
Capacity – Rated at 110% Fill Factor	m <sup>3</sup>	8.40	10.10
	yd <sup>3</sup>	11.00	13.25
Width	mm	3330	3330
	ft/in	10'11"	10'11"
16† Dump Clearance at Maximum Lift and 45° Discharge	mm	2424	2247
	ft/in	7'11"	7'4"
17† Reach at Maximum Lift and 45° Discharge	mm	1589	1766
	ft/in	5'2"	5'9"
Reach at Level Lift Arm and Bucket Level	mm	3136	3386
	ft/in	10'3"	11'1"
A† Digging Depth	mm	104	104
	in	4.1"	4.1"
12† Overall Length	mm	8745	8995
	ft/in	28'9"	29'7"
B† Overall Height with Bucket at Maximum Lift	mm	6107	6331
	ft/in	20'1"	20'10"
Loader Clearance Circle Radius with Bucket at Carry Position	mm	7003	7079
	ft/in	23'0"	23'3"
Static Tipping Load, Straight (With tire deflection)	kg	12 137	11 665
	lb	26,758	25,718
Static Tipping Load, Straight (No tire deflection)	kg	12 956	12 487
	lb	28,564	27,530
Static Tipping Load, Articulated (With tire deflection)	kg	10 391	9945
	lb	22,910	21,925
Static Tipping Load, Articulated (No tire deflection)	kg	11 212	10 767
	lb	24,718	23,738
Breakout Force (§)	kN	105	89
	lbf	23,623	20,212
Operating Weight*	kg	18 851	19 081
	lb	41,558	42,065

\* Static tipping loads and operating weights shown are based on a machine configuration with Bridgestone 23.5R25 VJT L3 radial tires, full fluids, operator, standard counterweight, ride control, cold start, roading fenders, Product Link, manual diff lock/open axles (front and rear), powertrain guard, secondary steering and sound suppression.

† Illustration shown with Dimension charts.

\*\*\* Rock bucket specifications are given on Bridgestone 23.5R25 VSDL L5 radial tires.

(§) Measured 100 mm (4") behind tip of cutting edge with bucket hinge pin as pivot point in accordance with ISO 14397-2:2007.

(With tire deflection) Full compliance to ISO 14397-1:2007 Sections 1 thru 6, which requires 2% verification between calculations and testing.

(No tire deflection) Compliance to ISO 14397-1:2007 Sections 1 thru 5.

Other buckets are available and offerings vary by region. Consult your local Cat dealer for further details.

## Operating Specifications – Buckets *(continued)*

Linkage		Standard Linkage	
Bucket Type		Rock, Spade – Pin-On***	
Edge Type		Teeth and Segments	Teeth and Segments
Capacity – Rated	m <sup>3</sup>	2.90	3.10
	yd <sup>3</sup>	3.75	4.00
Capacity – Rated at 110% Fill Factor	m <sup>3</sup>	3.20	3.40
	yd <sup>3</sup>	4.25	4.50
Width	mm	2994	2992
	ft/in	9'9"	9'9"
<b>16</b> † Dump Clearance at Maximum Lift and 45° Discharge	mm	2680	2634
	ft/in	8'9"	8'7"
<b>17</b> † Reach at Maximum Lift and 45° Discharge	mm	1579	1601
	ft/in	5'2"	5'3"
Reach at Level Lift Arm and Bucket Level	mm	2960	3010
	ft/in	9'8"	9'10"
<b>A</b> † Digging Depth	mm	51	42
	in	2"	1.6"
<b>12</b> † Overall Length	mm	8565	8615
	ft/in	28'2"	28'4"
<b>B</b> † Overall Height with Bucket at Maximum Lift	mm	5418	5501
	ft/in	17'10"	18'1"
Loader Clearance Circle Radius with Bucket at Carry Position	mm	6817	6831
	ft/in	22'5"	22'5"
Static Tipping Load, Straight (With tire deflection)	kg	12,659	12,851
	lb	27,909	28,332
Static Tipping Load, Straight (No tire deflection)	kg	13,394	13,588
	lb	29,529	29,956
Static Tipping Load, Articulated (With tire deflection)	kg	10,876	11,073
	lb	23,977	24,413
Static Tipping Load, Articulated (No tire deflection)	kg	11,615	11,815
	lb	25,608	26,049
Breakout Force (§)	kN	135	130
	lbf	30,415	29,413
Operating Weight*	kg	19,305	19,055
	lb	42,559	42,008

\* Static tipping loads and operating weights shown are based on a machine configuration with Bridgestone 23.5R25 VJT L3 radial tires, full fluids, operator, standard counterweight, ride control, cold start, roading fenders, Product Link, manual diff lock/open axles (front and rear), powertrain guard, secondary steering and sound suppression.

† Illustration shown with Dimension charts.

\*\*\* Rock bucket specifications are given on Bridgestone 23.5R25 VSDL L5 radial tires.

(§) Measured 100 mm (4") behind tip of cutting edge with bucket hinge pin as pivot point in accordance with ISO 14397-2:2007.

(With tire deflection) Full compliance to ISO 14397-1:2007 Sections 1 thru 6, which requires 2% verification between calculations and testing.

(No tire deflection) Compliance to ISO 14397-1:2007 Sections 1 thru 5.

Other buckets are available and offerings vary by region. Consult your local Cat dealer for further details.

# 950 Wheel Loader Specifications

## Operating Specifications – Buckets *(continued)*

Linkage		Standard Linkage			
Bucket Type		Side Dump – Pin-On – Abrasion			Side Dump – Hook-On – Fusion
Edge Type		Bolt-On Cutting Edges	Teeth and Segments	Tips	Bolt-On Cutting Edges
Capacity – Rated	m <sup>3</sup>	2.50	2.50	2.30	2.90
	yd <sup>3</sup>	3.25	3.25	3.00	3.75
Capacity – Rated at 110% Fill Factor	m <sup>3</sup>	2.80	2.80	2.50	3.20
	yd <sup>3</sup>	3.75	3.75	3.25	4.25
Width	mm	3065	3166	3166	3220
	ft/in	10'0"	10'4"	10'4"	10'6"
<b>16</b> † Dump Clearance at Maximum Lift and 45° Discharge	mm	2666	2508	2508	2701
	ft/in	8'8"	8'2"	8'2"	8'10"
<b>17</b> † Reach at Maximum Lift and 45° Discharge	mm	1344	1447	1447	1297
	ft/in	4'4"	4'8"	4'8"	4'3"
Reach at Level Lift Arm and Bucket Level	mm	2791	2975	2975	2733
	ft/in	9'1"	9'9"	9'9"	8'11"
<b>A</b> † Digging Depth	mm	106	106	71	114
	in	4.2"	4.2"	2.8"	4.5"
<b>12</b> † Overall Length	mm	8401	8616	8616	8350
	ft/in	27'7"	28'4"	28'4"	27'5"
<b>B</b> † Overall Height with Bucket at Maximum Lift	mm	5723	5723	5723	5468
	ft/in	18'10"	18'10"	18'10"	18'0"
Loader Clearance Circle Radius with Bucket at Carry Position	mm	6788	6900	6900	6841
	ft/in	22'4"	22'8"	22'8"	22'6"
Static Tipping Load, Straight (With tire deflection)	kg	10 489	10 264	10 550	11 345
	lb	23,126	22,628	23,259	25,012
Static Tipping Load, Straight (No tire deflection)	kg	11 149	10 921	11 218	12 040
	lb	24,581	24,077	24,732	26,545
Static Tipping Load, Articulated (With tire deflection)	kg	8884	8659	8930	9682
	lb	19,588	19,090	19,688	21,345
Static Tipping Load, Articulated (No tire deflection)	kg	9551	9322	9605	10 383
	lb	21,057	20,553	21,175	22,892
Breakout Force (§)	kN	128	126	135	137
	lbf	28,819	28,391	30,431	30,793
Operating Weight*	kg	19 459	19 636	19 486	19 187
	lb	42,899	43,289	42,958	42,299

\* Static tipping loads and operating weights shown are based on a machine configuration with Bridgestone 23.5R25 VJT L3 radial tires, full fluids, operator, standard counterweight, ride control, cold start, roading fenders, Product Link, manual diff lock/open axles (front and rear), powertrain guard, secondary steering and sound suppression.

† Illustration shown with Dimension charts.

\*\*\* Rock bucket specifications are given on Bridgestone 23.5R25 VSDL L5 radial tires.

(§) Measured 100 mm (4") behind tip of cutting edge with bucket hinge pin as pivot point in accordance with ISO 14397-2:2007.

(With tire deflection) Full compliance to ISO 14397-1:2007 Sections 1 thru 6, which requires 2% verification between calculations and testing.

(No tire deflection) Compliance to ISO 14397-1:2007 Sections 1 thru 5.

Other buckets are available and offerings vary by region. Consult your local Cat dealer for further details.

# 950 Wheel Loader Specifications

## Operating Specifications – Buckets (continued)

Linkage		High Lift Linkage								
Bucket Type		General Purpose – Pin-On								
Edge Type		Bolt-On Cutting Edges	Teeth and Segments	Tips	Bolt-On Cutting Edges	Teeth and Segments	Tips	Bolt-On Cutting Edges	Teeth and Segments	Tips
Capacity – Rated	m <sup>3</sup>	2.70	2.70	2.50	3.10	3.10	2.90	3.30	3.30	3.10
	yd <sup>3</sup>	3.50	3.50	3.25	4.00	4.00	3.75	4.25	4.25	4.00
Capacity – Rated at 110% Fill Factor	m <sup>3</sup>	3.00	3.00	2.80	3.40	3.40	3.20	3.60	3.60	3.40
	yd <sup>3</sup>	4.00	4.00	3.75	4.50	4.50	4.25	4.75	4.75	4.50
Width	mm	2927	2994	2994	2927	2994	2994	2927	2994	2994
	ft/in	9'7"	9'9"	9'9"	9'7"	9'9"	9'9"	9'7"	9'9"	9'9"
<b>16</b> † Dump Clearance at Maximum Lift and 45° Discharge	mm	3419	3304	3304	3339	3222	3222	3300	3182	3182
	ft/in	11'2"	10'10"	10'10"	10'11"	10'6"	10'6"	10'9"	10'5"	10'5"
<b>17</b> † Reach at Maximum Lift and 45° Discharge	mm	1337	1451	1451	1393	1504	1504	1422	1533	1533
	ft/in	4'4"	4'9"	4'9"	4'6"	4'11"	4'11"	4'8"	5'0"	5'0"
Reach at Level Lift Arm and Bucket Level	mm	2939	3100	3100	3039	3200	3200	3089	3250	3250
	ft/in	9'7"	10'2"	10'2"	9'11"	10'5"	10'5"	10'1"	10'7"	10'7"
<b>A</b> † Digging Depth	mm	123	123	93	123	123	93	123	123	93
	in	4.8"	4.8"	3.6"	4.8"	4.8"	3.6"	4.8"	4.8"	3.6"
<b>12</b> † Overall Length	mm	8650	8822	8822	8750	8922	8922	8800	8972	8972
	ft/in	28'5"	29'0"	29'0"	28'9"	29'4"	29'4"	28'11"	29'6"	29'6"
<b>B</b> † Overall Height with Bucket at Maximum Lift	mm	5846	5846	5846	5809	5809	5809	5983	5983	5983
	ft/in	19'3"	19'3"	19'3"	19'1"	19'1"	19'1"	19'8"	19'8"	19'8"
Loader Clearance Circle Radius with Bucket at Carry Position	mm	6847	6788	6788	6874	6820	6820	6888	6837	6837
	ft/in	22'6"	22'4"	22'4"	22'7"	22'5"	22'5"	22'8"	22'6"	22'6"
Static Tipping Load, Straight (With tire deflection)	kg	11 982	11 848	12 066	11 863	11 728	11 943	11 802	11 666	11 875
	lb	26,415	26,120	26,602	26,155	25,857	26,331	26,019	25,720	26,180
Static Tipping Load, Straight (No tire deflection)	kg	12 582	12 448	12 666	12 474	12 338	12 553	12 417	12 281	12 489
	lb	27,740	27,445	27,925	27,501	27,202	27,675	27,376	27,076	27,534
Static Tipping Load, Articulated (With tire deflection)	kg	10 273	10 139	10 347	10 156	10 021	10 225	10 096	9960	10 158
	lb	22,649	22,353	22,811	22,392	22,093	22,542	22,258	21,958	22,394
Static Tipping Load, Articulated (No tire deflection)	kg	10 892	10 758	10 964	10 785	10 650	10 852	10 730	10 594	10 789
	lb	24,013	23,718	24,172	23,777	23,479	23,925	23,655	23,355	23,787
Breakout Force (§)	kN	156	155	171	143	142	155	137	136	149
	lbf	35,191	34,903	38,507	32,235	31,950	35,028	30,917	30,634	33,493
Operating Weight*	kg	19 075	19 183	19 026	19 164	19 272	19 115	19 209	19 317	19 160
	lb	42,052	42,290	41,944	42,248	42,486	42,140	42,347	42,585	42,239

\* Static tipping loads and operating weights shown are based on a machine configuration with Bridgestone 23.5R25 VJT L3 radial tires, full fluids, operator, high lift counterweight, ride control, cold start, roading fenders, Product Link, manual diff lock/open axles (front and rear), powertrain guard, secondary steering and sound suppression.

† Illustration shown with Dimension charts.

\*\*\* Rock bucket specifications are given on Bridgestone 23.5R25 VSDL L5 radial tires.

(§) Measured 100 mm (4") behind tip of cutting edge with bucket hinge pin as pivot point in accordance with ISO 14397-2:2007.

(With tire deflection) Full compliance to ISO 14397-1:2007 Sections 1 thru 6, which requires 2% verification between calculations and testing.

(No tire deflection) Compliance to ISO 14397-1:2007 Sections 1 thru 5.

Other buckets are available and offerings vary by region. Consult your local Cat dealer for further details.

# 950 Wheel Loader Specifications

## Operating Specifications – Buckets (continued)

Linkage		High Lift Linkage					
Bucket Type		General Purpose – Pin-On					
Edge Type		Bolt-On Cutting Edges	Teeth and Segments	Tips	Bolt-On Cutting Edges	Teeth and Segments	Tips
Capacity – Rated	m <sup>3</sup>	3.40	3.40	3.20	3.60	3.60	3.40
	yd <sup>3</sup>	4.50	4.50	4.25	4.75	4.75	4.50
Capacity – Rated at 110% Fill Factor	m <sup>3</sup>	3.70	3.70	3.50	4.00	4.00	3.70
	yd <sup>3</sup>	4.75	4.75	4.50	5.25	5.25	4.75
Width	mm	2927	2994	2994	2927	2994	2994
	ft/in	9'7"	9'9"	9'9"	9'7"	9'9"	9'9"
16† Dump Clearance at Maximum Lift and 45° Discharge	mm	3274	3156	3156	3228	3109	3109
	ft/in	10'8"	10'4"	10'4"	10'7"	10'2"	10'2"
17† Reach at Maximum Lift and 45° Discharge	mm	1445	1555	1555	1481	1591	1591
	ft/in	4'8"	5'1"	5'1"	4'10"	5'2"	5'2"
Reach at Level Lift Arm and Bucket Level	mm	3124	3285	3285	3184	3345	3345
	ft/in	10'2"	10'9"	10'9"	10'5"	10'11"	10'11"
A† Digging Depth	mm	123	123	93	123	123	93
	in	4.8"	4.8"	3.6"	4.8"	4.8"	3.6"
12† Overall Length	mm	8835	9007	9007	8895	9067	9067
	ft/in	29'0"	29'7"	29'7"	29'3"	29'9"	29'9"
B† Overall Height with Bucket at Maximum Lift	mm	6012	6012	6012	6071	6071	6071
	ft/in	19'9"	19'9"	19'9"	19'11"	19'11"	19'11"
Loader Clearance Circle Radius with Bucket at Carry Position	mm	6897	6848	6848	6914	6869	6869
	ft/in	22'8"	22'6"	22'6"	22'9"	22'7"	22'7"
Static Tipping Load, Straight (With tire deflection)	kg	11 762	11 625	11 829	11 684	11 547	11 750
	lb	25,931	25,630	26,080	25,760	25,457	25,904
Static Tipping Load, Straight (No tire deflection)	kg	12 381	12 244	12 447	12 309	12 171	12 373
	lb	27,295	26,994	27,441	27,136	26,834	27,277
Static Tipping Load, Articulated (With tire deflection)	kg	10 056	9919	10 113	9980	9842	10 034
	lb	22,170	21,869	22,296	22,002	21,699	22,121
Static Tipping Load, Articulated (No tire deflection)	kg	10 693	10 557	10 748	10 623	10 485	10 675
	lb	23,575	23,274	23,696	23,419	23,116	23,534
Breakout Force (§)	kN	133	132	144	127	126	137
	lbf	30,050	29,768	32,490	28,652	28,373	30,881
Operating Weight*	kg	19 239	19 347	19 190	19 297	19 405	19 248
	lb	42,413	42,651	42,305	42,541	42,779	42,433

\* Static tipping loads and operating weights shown are based on a machine configuration with Bridgestone 23.5R25 VJT L3 radial tires, full fluids, operator, high lift counterweight, ride control, cold start, roading fenders, Product Link, manual diff lock/open axles (front and rear), powertrain guard, secondary steering and sound suppression.

† Illustration shown with Dimension charts.

\*\*\* Rock bucket specifications are given on Bridgestone 23.5R25 VSDL L5 radial tires.

(§) Measured 100 mm (4") behind tip of cutting edge with bucket hinge pin as pivot point in accordance with ISO 14397-2:2007.

(With tire deflection) Full compliance to ISO 14397-1:2007 Sections 1 thru 6, which requires 2% verification between calculations and testing.

(No tire deflection) Compliance to ISO 14397-1:2007 Sections 1 thru 5.

Other buckets are available and offerings vary by region. Consult your local Cat dealer for further details.



## Operating Specifications – Buckets (continued)

Linkage		High Lift Linkage					
Bucket Type		General Purpose – Hook-On – Fusion					
Edge Type		Bolt-On Cutting Edges	Teeth and Segments	Tips	Bolt-On Cutting Edges	Teeth and Segments	Tips
Capacity – Rated	m <sup>3</sup>	3.10	3.10	2.90	3.30	3.30	3.10
	yd <sup>3</sup>	4.00	4.00	3.75	4.25	4.25	4.00
Capacity – Rated at 110% Fill Factor	m <sup>3</sup>	3.40	3.40	3.20	3.60	3.60	3.40
	yd <sup>3</sup>	4.50	4.50	4.25	4.75	4.75	4.50
Width	mm	2927	2994	2994	2958	2999	2999
	ft/in	9'7"	9'9"	9'9"	9'8"	9'10"	9'10"
16† Dump Clearance at Maximum Lift and 45° Discharge	mm	3297	3180	3180	3258	3141	3141
	ft/in	10'9"	10'5"	10'5"	10'8"	10'3"	10'3"
17† Reach at Maximum Lift and 45° Discharge	mm	1429	1541	1541	1459	1565	1565
	ft/in	4'8"	5'0"	5'0"	4'9"	5'1"	5'1"
Reach at Level Lift Arm and Bucket Level	mm	3094	3255	3255	3144	3300	3300
	ft/in	10'1"	10'8"	10'8"	10'3"	10'9"	10'9"
A† Digging Depth	mm	131	131	101	131	131	101
	in	5.1"	5.1"	3.9"	5.1"	5.1"	3.9"
12† Overall Length	mm	8811	8982	8982	8861	9029	9029
	ft/in	28'11"	29'6"	29'6"	29'1"	29'8"	29'8"
B† Overall Height with Bucket at Maximum Lift	mm	5951	5951	5951	6002	6002	6002
	ft/in	19'7"	19'7"	19'7"	19'9"	19'9"	19'9"
Loader Clearance Circle Radius with Bucket at Carry Position	mm	6890	6972	6972	6918	6988	6988
	ft/in	22'8"	22'11"	22'11"	22'9"	23'0"	23'0"
Static Tipping Load, Straight (With tire deflection)	kg	11 293	11 158	11 437	11 144	11 038	11 313
	lb	24,898	24,600	25,216	24,570	24,335	24,941
Static Tipping Load, Straight (No tire deflection)	kg	11 900	11 765	12 048	11 757	11 650	11 928
	lb	26,235	25,937	26,561	25,920	25,685	26,297
Static Tipping Load, Articulated (With tire deflection)	kg	9604	9469	9737	9456	9349	9612
	lb	21,174	20,875	21,466	20,847	20,612	21,192
Static Tipping Load, Articulated (No tire deflection)	kg	10 229	10 094	10 365	10 087	9980	10 246
	lb	22,551	22,254	22,851	22,238	22,003	22,589
Breakout Force (§)	kN	136	135	148	130	129	141
	lbf	30,722	30,438	33,272	29,339	29,098	31,742
Operating Weight*	kg	19 642	19 750	19 593	19 768	19 851	19 698
	lb	43,302	43,540	43,194	43,580	43,763	43,427

\* Static tipping loads and operating weights shown are based on a machine configuration with Bridgestone 23.5R25 VJT L3 radial tires, full fluids, operator, high lift counterweight, ride control, cold start, roading fenders, Product Link, manual diff lock/open axles (front and rear), powertrain guard, secondary steering and sound suppression.

† Illustration shown with Dimension charts.

\*\*\* Rock bucket specifications are given on Bridgestone 23.5R25 VSDL L5 radial tires.

(§) Measured 100 mm (4") behind tip of cutting edge with bucket hinge pin as pivot point in accordance with ISO 14397-2:2007.

(With tire deflection) Full compliance to ISO 14397-1:2007 Sections 1 thru 6, which requires 2% verification between calculations and testing.

(No tire deflection) Compliance to ISO 14397-1:2007 Sections 1 thru 5.

Other buckets are available and offerings vary by region. Consult your local Cat dealer for further details.

# 950 Wheel Loader Specifications

## Operating Specifications – Buckets *(continued)*

Linkage		High Lift Linkage			
Bucket Type	General Purpose – Hook-On – Fusion				General Purpose – Hook-On – Fusion – Abrasion
Edge Type	Bolt-On Cutting Edges	Teeth and Segments	Tips	Bolt-On Cutting Edges	
Capacity – Rated	m <sup>3</sup>	3.40	3.40	3.20	3.60
	yd <sup>3</sup>	4.50	4.50	4.25	4.75
Capacity – Rated at 110% Fill Factor	m <sup>3</sup>	3.70	3.70	3.50	4.00
	yd <sup>3</sup>	4.75	4.75	4.50	5.25
Width	mm	2927	2994	2994	2956
	ft/in	9'7"	9'9"	9'9"	9'8"
<b>16</b> † Dump Clearance at Maximum Lift and 45° Discharge	mm	3232	3114	3114	3183
	ft/in	10'7"	10'2"	10'2"	10'5"
<b>17</b> † Reach at Maximum Lift and 45° Discharge	mm	1481	1591	1591	1521
	ft/in	4'10"	5'2"	5'2"	4'11"
Reach at Level Lift Arm and Bucket Level	mm	3179	3340	3340	3243
	ft/in	10'5"	10'11"	10'11"	10'7"
<b>A</b> † Digging Depth	mm	131	131	101	130
	in	5.1"	5.1"	3.9"	5.1"
<b>12</b> † Overall Length	mm	8896	9067	9067	8960
	ft/in	29'3"	29'9"	29'9"	29'5"
<b>B</b> † Overall Height with Bucket at Maximum Lift	mm	6031	6031	6031	6108
	ft/in	19'10"	19'10"	19'10"	20'1"
Loader Clearance Circle Radius with Bucket at Carry Position	mm	6914	6996	6996	6950
	ft/in	22'9"	23'0"	23'0"	22'10"
Static Tipping Load, Straight (With tire deflection)	kg	11 193	11 057	11 331	10 985
	lb	24,677	24,376	24,982	24,218
Static Tipping Load, Straight (No tire deflection)	kg	11 808	11 671	11 949	11 601
	lb	26,032	25,731	26,344	25,576
Static Tipping Load, Articulated (With tire deflection)	kg	9505	9368	9632	9304
	lb	20,955	20,655	21,236	20,512
Static Tipping Load, Articulated (No tire deflection)	kg	10 138	10 002	10 268	9938
	lb	22,351	22,050	22,638	21,911
Breakout Force (§)	kN	127	126	137	121
	lbf	28,703	28,422	30,942	27,219
Operating Weight*	kg	19 718	19 826	19 669	19 855
	lb	43,469	43,707	43,361	43,771

\* Static tipping loads and operating weights shown are based on a machine configuration with Bridgestone 23.5R25 VJT L3 radial tires, full fluids, operator, high lift counterweight, ride control, cold start, roading fenders, Product Link, manual diff lock/open axles (front and rear), powertrain guard, secondary steering and sound suppression.

† Illustration shown with Dimension charts.

\*\*\* Rock bucket specifications are given on Bridgestone 23.5R25 VSDL L5 radial tires.

(§) Measured 100 mm (4") behind tip of cutting edge with bucket hinge pin as pivot point in accordance with ISO 14397-2:2007.

(With tire deflection) Full compliance to ISO 14397-1:2007 Sections 1 thru 6, which requires 2% verification between calculations and testing.

(No tire deflection) Compliance to ISO 14397-1:2007 Sections 1 thru 5.

Other buckets are available and offerings vary by region. Consult your local Cat dealer for further details.

## Operating Specifications – Buckets (continued)

Linkage		High Lift Linkage					
Bucket Type		Flat Floor – Pin-On					
Edge Type		Bolt-On Cutting Edges	Teeth and Segments	Tips	Bolt-On Cutting Edges	Teeth and Segments	Tips
Capacity – Rated	m <sup>3</sup>	3.20	3.20	3.00	3.40	3.40	3.20
	yd <sup>3</sup>	4.25	4.25	4.00	4.50	4.50	4.25
Capacity – Rated at 110% Fill Factor	m <sup>3</sup>	3.50	3.50	3.30	3.70	3.70	3.50
	yd <sup>3</sup>	4.50	4.50	4.25	4.75	4.75	4.50
Width	mm	2927	2994	2994	2927	2994	2994
	ft/in	9'7"	9'9"	9'9"	9'7"	9'9"	9'9"
<b>16</b> † Dump Clearance at Maximum Lift and 45° Discharge	mm	3240	3114	3114	3204	3079	3079
	ft/in	10'7"	10'2"	10'2"	10'6"	10'1"	10'1"
<b>17</b> † Reach at Maximum Lift and 45° Discharge	mm	1329	1431	1431	1365	1467	1467
	ft/in	4'4"	4'8"	4'8"	4'5"	4'9"	4'9"
Reach at Level Lift Arm and Bucket Level	mm	3084	3245	3245	3134	3295	3295
	ft/in	10'1"	10'7"	10'7"	10'3"	10'9"	10'9"
<b>A</b> † Digging Depth	mm	131	131	101	131	131	101
	in	5.1"	5.1"	3.9"	5.1"	5.1"	3.9"
<b>12</b> † Overall Length	mm	8801	8972	8972	8851	9022	9022
	ft/in	28'11"	29'6"	29'6"	29'1"	29'8"	29'8"
<b>B</b> † Overall Height with Bucket at Maximum Lift	mm	5974	5974	5974	6023	6023	6023
	ft/in	19'8"	19'8"	19'8"	19'10"	19'10"	19'10"
Loader Clearance Circle Radius with Bucket at Carry Position	mm	6753	6834	6834	6770	6851	6851
	ft/in	22'2"	22'6"	22'6"	22'3"	22'6"	22'6"
Static Tipping Load, Straight (With tire deflection)	kg	11 701	11 566	11 776	11 641	11 506	11 711
	lb	25,798	25,500	25,962	25,665	25,366	25,819
Static Tipping Load, Straight (No tire deflection)	kg	12 305	12 170	12 378	12 250	12 114	12 318
	lb	27,128	26,830	27,289	27,006	26,707	27,156
Static Tipping Load, Articulated (With tire deflection)	kg	10 011	9876	10 075	9952	9816	10 011
	lb	22,071	21,773	22,212	21,940	21,640	22,070
Static Tipping Load, Articulated (No tire deflection)	kg	10 633	10 498	10 695	10 578	10 443	10 635
	lb	23,442	23,144	23,579	23,322	23,023	23,448
Breakout Force (§)	kN	137	136	149	132	131	143
	lbf	31,010	30,726	33,603	29,773	29,491	32,172
Operating Weight*	kg	19 196	19 304	19 147	19 244	19 352	19 195
	lb	42,318	42,557	42,210	42,424	42,662	42,316

\* Static tipping loads and operating weights shown are based on a machine configuration with Bridgestone 23.5R25 VJT L3 radial tires, full fluids, operator, high lift counterweight, ride control, cold start, roading fenders, Product Link, manual diff lock/open axles (front and rear), powertrain guard, secondary steering and sound suppression.

† Illustration shown with Dimension charts.

\*\*\* Rock bucket specifications are given on Bridgestone 23.5R25 VSDL L5 radial tires.

(§) Measured 100 mm (4") behind tip of cutting edge with bucket hinge pin as pivot point in accordance with ISO 14397-2:2007.

(With tire deflection) Full compliance to ISO 14397-1:2007 Sections 1 thru 6, which requires 2% verification between calculations and testing.

(No tire deflection) Compliance to ISO 14397-1:2007 Sections 1 thru 5.

Other buckets are available and offerings vary by region. Consult your local Cat dealer for further details.

# 950 Wheel Loader Specifications

## Operating Specifications – Buckets (continued)

Linkage		High Lift Linkage			
Bucket Type		Flat Floor – Pin-On			Flat Floor – Pin-On – Light Material
Edge Type		Bolt-On Cutting Edges	Teeth and Segments	Tips	Bolt-On Cutting Edges
Capacity – Rated	m <sup>3</sup>	3.80	3.80	3.60	4.40
	yd <sup>3</sup>	5.00	5.00	4.75	5.75
Capacity – Rated at 110% Fill Factor	m <sup>3</sup>	4.20	4.20	4.00	4.80
	yd <sup>3</sup>	5.50	5.50	5.25	6.25
Width	mm	2927	2994	2994	3059
	ft/in	9'7"	9'9"	9'9"	10'0"
<b>16</b> † Dump Clearance at Maximum Lift and 45° Discharge	mm	3126	3000	3000	3071
	ft/in	10'3"	9'10"	9'10"	10'0"
<b>17</b> † Reach at Maximum Lift and 45° Discharge	mm	1443	1545	1545	1487
	ft/in	4'8"	5'0"	5'0"	4'10"
Reach at Level Lift Arm and Bucket Level	mm	3245	3406	3406	3315
	ft/in	10'7"	11'2"	11'2"	10'10"
<b>A</b> † Digging Depth	mm	131	131	101	139
	in	5.1"	5.1"	3.9"	5.4"
<b>12</b> † Overall Length	mm	8962	9133	9133	9037
	ft/in	29'5"	30'0"	30'0"	29'8"
<b>B</b> † Overall Height with Bucket at Maximum Lift	mm	6121	6121	6121	6200
	ft/in	20'1"	20'1"	20'1"	20'5"
Loader Clearance Circle Radius with Bucket at Carry Position	mm	6806	6888	6888	6887
	ft/in	22'4"	22'8"	22'8"	22'8"
Static Tipping Load, Straight (With tire deflection)	kg	11 515	11 378	11 571	11 310
	lb	25,387	25,084	25,511	24,935
Static Tipping Load, Straight (No tire deflection)	kg	12 135	11 997	12 189	11 938
	lb	26,753	26,450	26,872	26,318
Static Tipping Load, Articulated (With tire deflection)	kg	9826	9688	9872	9624
	lb	21,663	21,360	21,764	21,217
Static Tipping Load, Articulated (No tire deflection)	kg	10 464	10 327	10 508	10 270
	lb	23,070	22,767	23,166	22,642
Breakout Force (§)	kN	121	120	130	114
	lbf	27,316	27,037	29,353	25,745
Operating Weight*	kg	19 346	19 454	19 297	19 502
	lb	42,649	42,887	42,541	42,993

\* Static tipping loads and operating weights shown are based on a machine configuration with Bridgestone 23.5R25 VJT L3 radial tires, full fluids, operator, high lift counterweight, ride control, cold start, roading fenders, Product Link, manual diff lock/open axles (front and rear), powertrain guard, secondary steering and sound suppression.

† Illustration shown with Dimension charts.

\*\*\* Rock bucket specifications are given on Bridgestone 23.5R25 VSDL L5 radial tires.

(§) Measured 100 mm (4") behind tip of cutting edge with bucket hinge pin as pivot point in accordance with ISO 14397-2:2007.

(With tire deflection) Full compliance to ISO 14397-1:2007 Sections 1 thru 6, which requires 2% verification between calculations and testing.

(No tire deflection) Compliance to ISO 14397-1:2007 Sections 1 thru 5.

Other buckets are available and offerings vary by region. Consult your local Cat dealer for further details.

# 950 Wheel Loader Specifications

## Operating Specifications – Buckets (continued)

Linkage		High Lift Linkage						
Bucket Type		Flat Floor – Hook-On – Fusion						
Edge Type		Bolt-On Cutting Edges	Teeth and Segments	Tips	Bolt-On Cutting Edges	Bolt-On Cutting Edges	Teeth and Segments	Tips
Capacity – Rated	m <sup>3</sup>	3.40	3.40	3.30	3.60	3.80	3.80	3.70
	yd <sup>3</sup>	4.50	4.50	4.25	4.75	5.00	5.00	4.75
Capacity – Rated at 110% Fill Factor	m <sup>3</sup>	3.70	3.70	3.60	4.00	4.20	4.20	4.00
	yd <sup>3</sup>	4.75	4.75	4.75	5.25	5.50	5.50	5.25
Width	mm	2927	2994	2994	2927	2927	2994	2994
	ft/in	9'7"	9'9"	9'9"	9'7"	9'7"	9'9"	9'9"
<b>16</b> † Dump Clearance at Maximum Lift and 45° Discharge	mm	3279	3167	3167	3144	3091	2966	2966
	ft/in	10'9"	10'4"	10'4"	10'3"	10'1"	9'8"	9'8"
<b>17</b> † Reach at Maximum Lift and 45° Discharge	mm	1290	1379	1379	1425	1478	1580	1580
	ft/in	4'2"	4'6"	4'6"	4'8"	4'10"	5'2"	5'2"
Reach at Level Lift Arm and Bucket Level	mm	3028	3170	3170	3219	3294	3455	3455
	ft/in	9'11"	10'4"	10'4"	10'6"	10'9"	11'4"	11'4"
<b>A</b> † Digging Depth	mm	131	131	101	131	131	131	101
	in	5.1"	5.1"	3.9"	5.1"	5.1"	5.1"	3.9"
<b>12</b> † Overall Length	mm	8745	8898	8898	8936	9011	9182	9182
	ft/in	28'9"	29'3"	29'3"	29'4"	29'7"	30'2"	30'2"
<b>B</b> † Overall Height with Bucket at Maximum Lift	mm	5945	5945	5945	6074	6151	6151	6151
	ft/in	19'7"	19'7"	19'7"	20'0"	20'3"	20'3"	20'3"
Loader Clearance Circle Radius with Bucket at Carry Position	mm	6872	6948	6948	6925	6947	7030	7030
	ft/in	22'7"	22'10"	22'10"	22'9"	22'10"	23'1"	23'1"
Static Tipping Load, Straight (With tire deflection)	kg	11 704	11 567	11 856	11 190	11 014	10 877	11 152
	lb	25,804	25,502	26,138	24,670	24,283	23,981	24,587
Static Tipping Load, Straight (No tire deflection)	kg	12 342	12 205	12 499	11 810	11 634	11 497	11 775
	lb	27,211	26,908	27,556	26,038	25,649	25,346	25,960
Static Tipping Load, Articulated (With tire deflection)	kg	9977	9840	10116	9499	9336	9199	9463
	lb	21,996	21,694	22,303	20,942	20,583	20,281	20,863
Static Tipping Load, Articulated (No tire deflection)	kg	10 633	10 496	10 776	10 138	9974	9837	10 105
	lb	23,442	23,139	23,759	22,350	21,990	21,688	22,278
Breakout Force (§)	kN	144	143	156	123	117	115	125
	lbf	32,450	32,164	35,281	27,831	26,303	26,025	28,204
Operating Weight*	kg	19 507	19 615	19 458	19 725	19 810	19 918	19 761
	lb	43,004	43,242	42,896	43,485	43,672	43,910	43,564

\*Static tipping loads and operating weights shown are based on a machine configuration with Bridgestone 23.5R25 VJT L3 radial tires, full fluids, operator, high lift counterweight, ride control, cold start, roading fenders, Product Link, manual diff lock/open axles (front and rear), powertrain guard, secondary steering and sound suppression.

† Illustration shown with Dimension charts.

\*\*\*Rock bucket specifications are given on Bridgestone 23.5R25 VSDL L5 radial tires.

(§) Measured 100 mm (4") behind tip of cutting edge with bucket hinge pin as pivot point in accordance with ISO 14397-2:2007.

(With tire deflection) Full compliance to ISO 14397-1:2007 Sections 1 thru 6, which requires 2% verification between calculations and testing.

(No tire deflection) Compliance to ISO 14397-1:2007 Sections 1 thru 5.

Other buckets are available and offerings vary by region. Consult your local Cat dealer for further details.

# 950 Wheel Loader Specifications

## Operating Specifications – Buckets (continued)

Linkage		High Lift Linkage					
Bucket Type		Multi-Purpose – Pin-On			Multi-Purpose – Hook-On – Fusion		
Edge Type		Bolt-On Cutting Edges	Teeth and Segments	Tips	Bolt-On Cutting Edges	Teeth and Segments	Tips
Capacity – Rated	m <sup>3</sup>	2.80	2.80	2.60	2.90	2.90	2.70
	yd <sup>3</sup>	3.50	3.50	3.25	3.75	3.75	3.50
Capacity – Rated at 110% Fill Factor	m <sup>3</sup>	3.00	3.00	2.80	3.20	3.20	3.00
	yd <sup>3</sup>	4.00	4.00	3.75	4.25	4.25	4.00
Width	mm	2942	2999	2999	3007	3000	3000
	ft/in	9'7"	9'10"	9'10"	9'10"	9'10"	9'10"
16† Dump Clearance at Maximum Lift and 45° Discharge	mm	3439	3332	3332	3432	3322	3322
	ft/in	11'3"	10'11"	10'11"	11'3"	10'10"	10'10"
17† Reach at Maximum Lift and 45° Discharge	mm	1385	1501	1501	1475	1595	1595
	ft/in	4'6"	4'11"	4'11"	4'10"	5'2"	5'2"
Reach at Level Lift Arm and Bucket Level	mm	2944	3101	3101	3021	3182	3182
	ft/in	9'7"	10'2"	10'2"	9'10"	10'5"	10'5"
A† Digging Depth	mm	158	158	128	111	111	81
	in	6.2"	6.2"	5"	4.3"	4.3"	3.1"
12† Overall Length	mm	8678	8847	8847	8725	8899	8899
	ft/in	28'6"	29'1"	29'1"	28'8"	29'3"	29'3"
B† Overall Height with Bucket at Maximum Lift	mm	5764	5764	5764	5849	5849	5849
	ft/in	18'11"	18'11"	18'11"	19'3"	19'3"	19'3"
Loader Clearance Circle Radius with Bucket at Carry Position	mm	6713	6946	6946	6897	6947	6947
	ft/in	22'1"	22'10"	22'10"	22'8"	22'10"	22'10"
Static Tipping Load, Straight (With tire deflection)	kg	11 367	11 219	11 497	11 025	10 899	11 164
	lb	25,060	24,734	25,347	24,307	24,029	24,612
Static Tipping Load, Straight (No tire deflection)	kg	11 962	11 814	12 097	11 650	11 524	11 794
	lb	26,371	26,045	26,671	25,685	25,406	26,001
Static Tipping Load, Articulated (With tire deflection)	kg	9673	9525	9791	9320	9194	9446
	lb	21,327	21,001	21,586	20,549	20,270	20,826
Static Tipping Load, Articulated (No tire deflection)	kg	10 287	10 139	10 410	9963	9837	10 094
	lb	22,679	22,353	22,950	21,966	21,687	22,254
Breakout Force (§)	kN	153	152	167	143	142	155
	lbf	34,496	34,167	37,678	32,212	31,923	35,015
Operating Weight*	kg	19 564	19 683	19 530	20 035	20 134	19 992
	lb	43,132	43,392	43,056	44,169	44,388	44,075

\* Static tipping loads and operating weights shown are based on a machine configuration with Bridgestone 23.5R25 VJT L3 radial tires, full fluids, operator, high lift counterweight, ride control, cold start, roading fenders, Product Link, manual diff lock/open axles (front and rear), powertrain guard, secondary steering and sound suppression.

† Illustration shown with Dimension charts.

\*\*\* Rock bucket specifications are given on Bridgestone 23.5R25 VSDL L5 radial tires.

(§) Measured 100 mm (4") behind tip of cutting edge with bucket hinge pin as pivot point in accordance with ISO 14397-2:2007.

(With tire deflection) Full compliance to ISO 14397-1:2007 Sections 1 thru 6, which requires 2% verification between calculations and testing.

(No tire deflection) Compliance to ISO 14397-1:2007 Sections 1 thru 5.

Other buckets are available and offerings vary by region. Consult your local Cat dealer for further details.

## Operating Specifications – Buckets (continued)

Linkage		High Lift Linkage	
Bucket Type		High Dump – Hook-On – Fusion	
Edge Type		Bolt-On Cutting Edges	Bolt-On Cutting Edges
Capacity – Rated	m <sup>3</sup>	4.30	6.10
	yd <sup>3</sup>	5.50	8.00
Capacity – Rated at 110% Fill Factor	m <sup>3</sup>	4.70	6.70
	yd <sup>3</sup>	6.25	8.75
Width	mm	3029	2910
	ft/in	9'11"	9'6"
16† Dump Clearance at Maximum Lift and 45° Discharge	mm	2901	2794
	ft/in	9'6"	9'2"
17† Reach at Maximum Lift and 45° Discharge	mm	1581	1681
	ft/in	5'2"	5'6"
Reach at Level Lift Arm and Bucket Level	mm	3501	3647
	ft/in	11'5"	11'11"
A† Digging Depth	mm	192	197
	in	7.5"	7.7"
12† Overall Length	mm	9256	9406
	ft/in	30'5"	30'11"
B† Overall Height with Bucket at Maximum Lift	mm	6159	6530
	ft/in	20'3"	21'6"
Loader Clearance Circle Radius with Bucket at Carry Position	mm	7077	7071
	ft/in	23'3"	23'3"
Static Tipping Load, Straight (With tire deflection)	kg	10 069	9987
	lb	22,198	22,017
Static Tipping Load, Straight (No tire deflection)	kg	10 677	10 670
	lb	23,540	23,524
Static Tipping Load, Articulated (With tire deflection)	kg	8429	8293
	lb	18,583	18,284
Static Tipping Load, Articulated (No tire deflection)	kg	9057	8994
	lb	19,967	19,830
Breakout Force (§)	kN	99	89
	lbf	22,339	20,017
Operating Weight*	kg	20 385	20 745
	lb	44,940	45,733

\* Static tipping loads and operating weights shown are based on a machine configuration with Bridgestone 23.5R25 VJT L3 radial tires, full fluids, operator, high lift counterweight, ride control, cold start, roading fenders, Product Link, manual diff lock/open axles (front and rear), powertrain guard, secondary steering and sound suppression.

† Illustration shown with Dimension charts.

\*\*\* Rock bucket specifications are given on Bridgestone 23.5R25 VSDL L5 radial tires.

(§) Measured 100 mm (4") behind tip of cutting edge with bucket hinge pin as pivot point in accordance with ISO 14397-2:2007.

(With tire deflection) Full compliance to ISO 14397-1:2007 Sections 1 thru 6, which requires 2% verification between calculations and testing.

(No tire deflection) Compliance to ISO 14397-1:2007 Sections 1 thru 5.

Other buckets are available and offerings vary by region. Consult your local Cat dealer for further details.

# 950 Wheel Loader Specifications

## Operating Specifications – Buckets *(continued)*

Linkage		High Lift Linkage	
Bucket Type		Woodchip – Hook-On – Fusion	
Edge Type		Bolt-On Cutting Edges	Bolt-On Cutting Edges
Capacity – Rated	m <sup>3</sup>	7.70	9.20
	yd <sup>3</sup>	10.00	12.00
Capacity – Rated at 110% Fill Factor	m <sup>3</sup>	8.40	10.10
	yd <sup>3</sup>	11.00	13.25
Width	mm	3330	3330
	ft/in	10'11"	10'11"
16† Dump Clearance at Maximum Lift and 45° Discharge	mm	2919	2742
	ft/in	9'6"	8'11"
17† Reach at Maximum Lift and 45° Discharge	mm	1657	1834
	ft/in	5'5"	6'0"
Reach at Level Lift Arm and Bucket Level	mm	3542	3792
	ft/in	11'7"	12'5"
A† Digging Depth	mm	126	126
	in	4.9"	4.9"
12† Overall Length	mm	9256	9506
	ft/in	30'5"	31'3"
B† Overall Height with Bucket at Maximum Lift	mm	6602	6826
	ft/in	21'8"	22'5"
Loader Clearance Circle Radius with Bucket at Carry Position	mm	7193	7267
	ft/in	23'8"	23'11"
Static Tipping Load, Straight (With tire deflection)	kg	11 676	11 350
	lb	25,742	25,023
Static Tipping Load, Straight (No tire deflection)	kg	12 436	12 132
	lb	27,417	26,747
Static Tipping Load, Articulated (With tire deflection)	kg	9876	9555
	lb	21,774	21,066
Static Tipping Load, Articulated (No tire deflection)	kg	10 652	10 353
	lb	23,483	22,825
Breakout Force (§)	kN	98	84
	lbf	22,215	18,977
Operating Weight*	kg	19 937	20 167
	lb	43,954	44,461

\* Static tipping loads and operating weights shown are based on a machine configuration with Bridgestone 23.5R25 VJT L3 radial tires, full fluids, operator, high lift counterweight, ride control, cold start, roading fenders, Product Link, manual diff lock/open axles (front and rear), powertrain guard, secondary steering and sound suppression.

† Illustration shown with Dimension charts.

\*\*\* Rock bucket specifications are given on Bridgestone 23.5R25 VSDL L5 radial tires.

(§) Measured 100 mm (4") behind tip of cutting edge with bucket hinge pin as pivot point in accordance with ISO 14397-2:2007.

(With tire deflection) Full compliance to ISO 14397-1:2007 Sections 1 thru 6, which requires 2% verification between calculations and testing.

(No tire deflection) Compliance to ISO 14397-1:2007 Sections 1 thru 5.

Other buckets are available and offerings vary by region. Consult your local Cat dealer for further details.



## Operating Specifications – Buckets (continued)

Linkage		High Lift Linkage	
Bucket Type		Rock, Spade – Pin-On***	
Edge Type		Teeth and Segments	Teeth and Segments
Capacity – Rated	m <sup>3</sup>	2.90	3.10
	yd <sup>3</sup>	3.75	4.00
Capacity – Rated at 110% Fill Factor	m <sup>3</sup>	3.20	3.40
	yd <sup>3</sup>	4.25	4.50
Width	mm	2994	2992
	ft/in	9'9"	9'9"
16† Dump Clearance at Maximum Lift and 45° Discharge	mm	3175	3129
	ft/in	10'5"	10'3"
17† Reach at Maximum Lift and 45° Discharge	mm	1647	1669
	ft/in	5'4"	5'5"
Reach at Level Lift Arm and Bucket Level	mm	3366	3416
	ft/in	11'0"	11'2"
A† Digging Depth	mm	73	20
	in	2.8"	0.8"
12† Overall Length	mm	9084	9134
	ft/in	29'10"	30'0"
B† Overall Height with Bucket at Maximum Lift	mm	5913	5997
	ft/in	19'5"	19'9"
Loader Clearance Circle Radius with Bucket at Carry Position	mm	7013	7027
	ft/in	23'1"	23'1"
Static Tipping Load, Straight (With tire deflection)	kg	11 789	12 020
	lb	25,991	26,501
Static Tipping Load, Straight (No tire deflection)	kg	12 436	12 670
	lb	27,418	27,934
Static Tipping Load, Articulated (With tire deflection)	kg	10 013	10 247
	lb	22,076	22,592
Static Tipping Load, Articulated (No tire deflection)	kg	10 680	10 917
	lb	23,545	24,067
Breakout Force (§)	kN	127	123
	lbf	28,696	27,753
Operating Weight*	kg	20 392	20 142
	lb	44,955	44,404

\* Static tipping loads and operating weights shown are based on a machine configuration with Bridgestone 23.5R25 VJT L3 radial tires, full fluids, operator, high lift counterweight, ride control, cold start, roading fenders, Product Link, manual diff lock/open axles (front and rear), powertrain guard, secondary steering and sound suppression.

† Illustration shown with Dimension charts.

\*\*\* Rock bucket specifications are given on Bridgestone 23.5R25 VSDL L5 radial tires.

(§) Measured 100 mm (4") behind tip of cutting edge with bucket hinge pin as pivot point in accordance with ISO 14397-2:2007.

(With tire deflection) Full compliance to ISO 14397-1:2007 Sections 1 thru 6, which requires 2% verification between calculations and testing.

(No tire deflection) Compliance to ISO 14397-1:2007 Sections 1 thru 5.

Other buckets are available and offerings vary by region. Consult your local Cat dealer for further details.

# 950 Wheel Loader Specifications

## Operating Specifications – Buckets (continued)

Linkage		High Lift Linkage			
Bucket Type	Side Dump – Pin-On – Abrasion			Side Dump – Hook-On – Fusion	
Edge Type	Bolt-On Cutting Edges	Teeth and Segments	Tips	Bolt-On Cutting Edges	
Capacity – Rated	m <sup>3</sup>	2.50	2.50	2.30	2.90
	yd <sup>3</sup>	3.25	3.25	3.00	3.75
Capacity – Rated at 110% Fill Factor	m <sup>3</sup>	2.80	2.80	2.50	3.20
	yd <sup>3</sup>	3.75	3.75	3.25	4.25
Width	mm	3065	3166	3166	3220
	ft/in	10'0"	10'4"	10'4"	10'6"
<b>16</b> † Dump Clearance at Maximum Lift and 45° Discharge	mm	3161	3004	3004	3197
	ft/in	10'4"	9'10"	9'10"	10'5"
<b>17</b> † Reach at Maximum Lift and 45° Discharge	mm	1412	1514	1514	1365
	ft/in	4'7"	4'11"	4'11"	4'5"
Reach at Level Lift Arm and Bucket Level	mm	3197	3381	3381	3139
	ft/in	10'5"	11'1"	11'1"	10'3"
<b>A</b> † Digging Depth	mm	128	128	93	136
	in	5"	5"	3.6"	5.3"
<b>12</b> † Overall Length	mm	8913	9121	9121	8860
	ft/in	29'3"	30'0"	30'0"	29'1"
<b>B</b> † Overall Height with Bucket at Maximum Lift	mm	6219	6219	6219	5963
	ft/in	20'5"	20'5"	20'5"	19'7"
Loader Clearance Circle Radius with Bucket at Carry Position	mm	6981	6936	6936	7034
	ft/in	22'11"	22'10"	22'10"	23'1"
Static Tipping Load, Straight (With tire deflection)	kg	10 028	9805	10 064	10 727
	lb	22,107	21,617	22,188	23,649
Static Tipping Load, Straight (No tire deflection)	kg	10 654	10 430	10 695	11 365
	lb	23,488	22,996	23,579	25,057
Static Tipping Load, Articulated (With tire deflection)	kg	8373	8150	8398	9033
	lb	18,460	17,969	18,514	19,916
Static Tipping Load, Articulated (No tire deflection)	kg	9018	8795	9048	9690
	lb	19,882	19,389	19,947	21,364
Breakout Force (§)	kN	120	118	127	128
	lbf	27,151	26,677	28,614	28,968
Operating Weight*	kg	20 546	20 723	20 573	20 274
	lb	45,295	45,685	45,354	44,695

\* Static tipping loads and operating weights shown are based on a machine configuration with Bridgestone 23.5R25 VJT L3 radial tires, full fluids, operator, high lift counterweight, ride control, cold start, roading fenders, Product Link, manual diff lock/open axles (front and rear), powertrain guard, secondary steering and sound suppression.

† Illustration shown with Dimension charts.

\*\*\* Rock bucket specifications are given on Bridgestone 23.5R25 VSDL L5 radial tires.

(§) Measured 100 mm (4") behind tip of cutting edge with bucket hinge pin as pivot point in accordance with ISO 14397-2:2007.

(With tire deflection) Full compliance to ISO 14397-1:2007 Sections 1 thru 6, which requires 2% verification between calculations and testing.

(No tire deflection) Compliance to ISO 14397-1:2007 Sections 1 thru 5.

Other buckets are available and offerings vary by region. Consult your local Cat dealer for further details.

# 950 Wheel Loader Specifications

## Operating Specifications – Buckets (continued)

Linkage		Auxiliary Counterweight									
Bucket Type		General Purpose – Pin-On									
Edge Type		Bolt-On Cutting Edges	Teeth and Segments	Tips	Bolt-On Cutting Edges	Teeth and Segments	Tips	Bolt-On Cutting Edges	Teeth and Segments	Tips	
Capacity – Rated	m <sup>3</sup>	3.10	3.10	2.90	3.30	3.30	3.10	3.40	3.40	3.20	
	yd <sup>3</sup>	4.00	4.00	3.75	4.25	4.25	4.00	4.50	4.50	4.25	
Capacity – Rated at 110% Fill Factor	m <sup>3</sup>	3.40	3.40	3.20	3.60	3.60	3.40	3.70	3.70	3.50	
	yd <sup>3</sup>	4.50	4.50	4.25	4.75	4.75	4.50	4.75	4.75	4.50	
Width	mm	2927	2994	2994	2927	2994	2994	2927	2994	2994	
	ft/in	9'7"	9'9"	9'9"	9'7"	9'9"	9'9"	9'7"	9'9"	9'9"	
<b>16</b> † Dump Clearance at Maximum Lift and 45° Discharge	mm	2844	2726	2726	2805	2687	2687	2779	2660	2660	
	ft/in	9'3"	8'11"	8'11"	9'2"	8'9"	8'9"	9'1"	8'8"	8'8"	
<b>17</b> † Reach at Maximum Lift and 45° Discharge	mm	1325	1436	1436	1355	1465	1465	1377	1487	1487	
	ft/in	4'4"	4'8"	4'8"	4'5"	4'9"	4'9"	4'6"	4'10"	4'10"	
Reach at Level Lift Arm and Bucket Level	mm	2633	2794	2794	2683	2844	2844	2718	2879	2879	
	ft/in	8'7"	9'2"	9'2"	8'9"	9'3"	9'3"	8'11"	9'5"	9'5"	
<b>A</b> † Digging Depth	mm	101	101	71	101	101	71	101	101	71	
	in	4"	4"	2.8"	4"	4"	2.8"	4"	4"	2.8"	
<b>12</b> † Overall Length	mm	8250	8425	8425	8300	8475	8475	8335	8510	8510	
	ft/in	27'1"	27'8"	27'8"	27'3"	27'10"	27'10"	27'5"	28'0"	28'0"	
<b>B</b> † Overall Height with Bucket at Maximum Lift	mm	5313	5313	5313	5488	5488	5488	5517	5517	5517	
	ft/in	17'6"	17'6"	17'6"	18'1"	18'1"	18'1"	18'2"	18'2"	18'2"	
Loader Clearance Circle Radius with Bucket at Carry Position	mm	6679	6761	6761	6693	6775	6775	6702	6785	6785	
	ft/in	21'11"	22'3"	22'3"	22'0"	22'3"	22'3"	22'0"	22'4"	22'4"	
Static Tipping Load, Straight (With tire deflection)	kg	13 747	13 607	13 884	13 646	13 506	13 776	13 582	13 441	13 703	
	lb	30,307	29,998	30,608	30,085	29,775	30,372	29,944	29,632	30,211	
Static Tipping Load, Straight (No tire deflection)	kg	14 512	14 371	14 654	14 414	14 272	14 548	14 352	14 209	14 476	
	lb	31,995	31,684	32,306	31,779	31,466	32,073	31,641	31,327	31,916	
Static Tipping Load, Articulated (With tire deflection)	kg	11 854	11 714	11 972	11 759	11 619	11 871	11 699	11 557	11 802	
	lb	26,134	25,825	26,394	25,926	25,615	26,171	25,792	25,480	26,020	
Static Tipping Load, Articulated (No tire deflection)	kg	12 628	12 487	12 750	12 536	12 394	12 650	12 477	12 335	12 583	
	lb	27,841	27,530	28,109	27,639	27,325	27,890	27,508	27,194	27,742	
Breakout Force (§)	kN	152	150	165	145	144	158	141	140	153	
	lbf	34,191	33,922	37,169	32,799	32,532	35,547	31,885	31,618	34,487	
Operating Weight*	kg	18 596	18 704	18 547	18 641	18 749	18 592	18 671	18 779	18 622	
	lb	40,996	41,234	40,888	41,095	41,333	40,987	41,161	41,400	41,053	

\* Static tipping loads and operating weights shown are based on a machine configuration with Bridgestone 23.5R25 VJT L3 radial tires, full fluids, operator, auxiliary counterweight, ride control, cold start, roading fenders, Product Link, manual diff lock/open axles (front and rear), powertrain guard, secondary steering and sound suppression.

† Illustration shown with Dimension charts.

\*\*\* Rock bucket specifications are given on Bridgestone 23.5R25 VSDL L5 radial tires.

(§) Measured 100 mm (4") behind tip of cutting edge with bucket hinge pin as pivot point in accordance with ISO 14397-2:2007.

(With tire deflection) Full compliance to ISO 14397-1:2007 Sections 1 thru 6, which requires 2% verification between calculations and testing.

(No tire deflection) Compliance to ISO 14397-1:2007 Sections 1 thru 5.

Other buckets are available and offerings vary by region. Consult your local Cat dealer for further details.

# 950 Wheel Loader Specifications

## Operating Specifications – Buckets (continued)

Linkage		Auxiliary Counterweight			
Bucket Type	General Purpose – Pin-On			General Purpose – Pin-On – Abrasion	
Edge Type	Bolt-On Cutting Edges	Teeth and Segments	Tips	Bolt-On Cutting Edges	
Capacity – Rated	m <sup>3</sup>	3.60	3.60	3.40	3.80
	yd <sup>3</sup>	4.75	4.75	4.50	5.00
Capacity – Rated at 110% Fill Factor	m <sup>3</sup>	4.00	4.00	3.70	4.20
	yd <sup>3</sup>	5.25	5.25	4.75	5.50
Width	mm	2927	2994	2994	2994
	ft/in	9'7"	9'9"	9'9"	9'9"
<b>16</b> † Dump Clearance at Maximum Lift and 45° Discharge	mm	2733	2614	2614	2705
	ft/in	8'11"	8'6"	8'6"	8'10"
<b>17</b> † Reach at Maximum Lift and 45° Discharge	mm	1413	1523	1523	1428
	ft/in	4'7"	4'11"	4'11"	4'8"
Reach at Level Lift Arm and Bucket Level	mm	2778	2939	2939	2808
	ft/in	9'1"	9'7"	9'7"	9'2"
<b>A</b> † Digging Depth	mm	101	101	71	106
	in	4"	4"	2.8"	4.2"
<b>12</b> † Overall Length	mm	8395	8570	8570	8430
	ft/in	27'7"	28'2"	28'2"	27'8"
<b>B</b> † Overall Height with Bucket at Maximum Lift	mm	5575	5575	5575	5601
	ft/in	18'4"	18'4"	18'4"	18'5"
Loader Clearance Circle Radius with Bucket at Carry Position	mm	6719	6802	6802	6760
	ft/in	22'1"	22'4"	22'4"	22'3"
Static Tipping Load, Straight (With tire deflection)	kg	13 461	13 318	13 579	13 301
	lb	29,676	29,363	29,938	29,323
Static Tipping Load, Straight (No tire deflection)	kg	14 233	14 090	14 355	14 074
	lb	31,379	31,063	31,649	31,029
Static Tipping Load, Articulated (With tire deflection)	kg	11 584	11 442	11 685	11 427
	lb	25,539	25,226	25,761	25,194
Static Tipping Load, Articulated (No tire deflection)	kg	12 365	12 222	12 469	12 210
	lb	27,262	26,945	27,489	26,919
Breakout Force (§)	kN	135	134	145	131
	lbf	30,410	30,145	32,788	29,550
Operating Weight*	kg	18 729	18 837	18 680	18 845
	lb	41,289	41,527	41,181	41,545

\* Static tipping loads and operating weights shown are based on a machine configuration with Bridgestone 23.5R25 VJT L3 radial tires, full fluids, operator, auxiliary counterweight, ride control, cold start, roading fenders, Product Link, manual diff lock/open axles (front and rear), powertrain guard, secondary steering and sound suppression.

† Illustration shown with Dimension charts.

\*\*\* Rock bucket specifications are given on Bridgestone 23.5R25 VSDL L5 radial tires.

(§) Measured 100 mm (4") behind tip of cutting edge with bucket hinge pin as pivot point in accordance with ISO 14397-2:2007.

(With tire deflection) Full compliance to ISO 14397-1:2007 Sections 1 thru 6, which requires 2% verification between calculations and testing.

(No tire deflection) Compliance to ISO 14397-1:2007 Sections 1 thru 5.

Other buckets are available and offerings vary by region. Consult your local Cat dealer for further details.

## Operating Specifications – Buckets (continued)

Linkage		Auxiliary Counterweight					
Bucket Type		General Purpose – Hook-On – Fusion					
Edge Type		Bolt-On Cutting Edges	Teeth and Segments	Tips	Bolt-On Cutting Edges	Teeth and Segments	Tips
Capacity – Rated	m <sup>3</sup>	3.10	3.10	2.90	3.30	3.30	3.10
	yd <sup>3</sup>	4.00	4.00	3.75	4.25	4.25	4.00
Capacity – Rated at 110% Fill Factor	m <sup>3</sup>	3.40	3.40	3.20	3.60	3.60	3.40
	yd <sup>3</sup>	4.50	4.50	4.25	4.75	4.75	4.50
Width	mm	2927	2994	2994	2958	2999	2999
	ft/in	9'7"	9'9"	9'9"	9'8"	9'10"	9'10"
16† Dump Clearance at Maximum Lift and 45° Discharge	mm	2802	2685	2685	2763	2646	2646
	ft/in	9'2"	8'9"	8'9"	9'0"	8'8"	8'8"
17† Reach at Maximum Lift and 45° Discharge	mm	1361	1473	1473	1391	1497	1497
	ft/in	4'5"	4'10"	4'10"	4'6"	4'10"	4'10"
Reach at Level Lift Arm and Bucket Level	mm	2688	2849	2849	2738	2894	2894
	ft/in	8'9"	9'4"	9'4"	8'11"	9'5"	9'5"
A† Digging Depth	mm	109	109	79	109	109	79
	in	4.3"	4.3"	3.1"	4.3"	4.3"	3.1"
12† Overall Length	mm	8312	8486	8486	8362	8533	8533
	ft/in	27'4"	27'11"	27'11"	27'6"	28'0"	28'0"
B† Overall Height with Bucket at Maximum Lift	mm	5456	5456	5456	5507	5507	5507
	ft/in	17'11"	17'11"	17'11"	18'1"	18'1"	18'1"
Loader Clearance Circle Radius with Bucket at Carry Position	mm	6694	6776	6776	6722	6792	6792
	ft/in	22'0"	22'3"	22'3"	22'1"	22'4"	22'4"
Static Tipping Load, Straight (With tire deflection)	kg	13 117	12 978	13 315	12 929	12 819	13 154
	lb	28,920	28,612	29,355	28,504	28,261	29,000
Static Tipping Load, Straight (No tire deflection)	kg	13 869	13 728	14 077	13 683	13 572	13 918
	lb	30,576	30,266	31,034	30,166	29,921	30,684
Static Tipping Load, Articulated (With tire deflection)	kg	11 254	11 114	11 433	11 071	10 960	11 277
	lb	24,811	24,503	25,205	24,407	24,164	24,862
Static Tipping Load, Articulated (No tire deflection)	kg	12 014	11 874	12 203	11 834	11 723	12 049
	lb	26,488	26,178	26,903	26,090	25,845	26,565
Breakout Force (§)	kN	145	143	157	138	137	150
	lbf	32,606	32,336	35,324	31,154	30,928	33,716
Operating Weight*	kg	19 074	19 182	19 025	19 200	19 283	19 130
	lb	42,050	42,288	41,942	42,328	42,511	42,175

\* Static tipping loads and operating weights shown are based on a machine configuration with Bridgestone 23.5R25 VJT L3 radial tires, full fluids, operator, auxiliary counterweight, ride control, cold start, roading fenders, Product Link, manual diff lock/open axles (front and rear), powertrain guard, secondary steering and sound suppression.

† Illustration shown with Dimension charts.

\*\*\* Rock bucket specifications are given on Bridgestone 23.5R25 VSDL L5 radial tires.

(§) Measured 100 mm (4") behind tip of cutting edge with bucket hinge pin as pivot point in accordance with ISO 14397-2:2007.

(With tire deflection) Full compliance to ISO 14397-1:2007 Sections 1 thru 6, which requires 2% verification between calculations and testing.

(No tire deflection) Compliance to ISO 14397-1:2007 Sections 1 thru 5.

Other buckets are available and offerings vary by region. Consult your local Cat dealer for further details.

# 950 Wheel Loader Specifications

## Operating Specifications – Buckets (continued)

Linkage		Auxiliary Counterweight			
Bucket Type	General Purpose – Hook-On – Fusion				General Purpose – Hook-On – Fusion – Abrasion
Edge Type	Bolt-On Cutting Edges	Teeth and Segments	Tips	Bolt-On Cutting Edges	
Capacity – Rated	m <sup>3</sup>	3.40	3.40	3.20	3.60
	yd <sup>3</sup>	4.50	4.50	4.25	4.75
Capacity – Rated at 110% Fill Factor	m <sup>3</sup>	3.70	3.70	3.50	4.00
	yd <sup>3</sup>	4.75	4.75	4.50	5.25
Width	mm	2927	2994	2994	2956
	ft/in	9'7"	9'9"	9'9"	9'8"
<b>16</b> † Dump Clearance at Maximum Lift and 45° Discharge	mm	2737	2618	2618	2688
	ft/in	8'11"	8'7"	8'7"	8'9"
<b>17</b> † Reach at Maximum Lift and 45° Discharge	mm	1413	1523	1523	1453
	ft/in	4'7"	4'11"	4'11"	4'9"
Reach at Level Lift Arm and Bucket Level	mm	2773	2934	2934	2837
	ft/in	9'1"	9'7"	9'7"	9'3"
<b>A</b> † Digging Depth	mm	109	109	79	109
	in	4.3"	4.3"	3.1"	4.3"
<b>12</b> † Overall Length	mm	8397	8571	8571	8461
	ft/in	27'7"	28'2"	28'2"	27'10"
<b>B</b> † Overall Height with Bucket at Maximum Lift	mm	5536	5536	5536	5613
	ft/in	18'2"	18'2"	18'2"	18'5"
Loader Clearance Circle Radius with Bucket at Carry Position	mm	6718	6801	6801	6754
	ft/in	22'1"	22'4"	22'4"	22'2"
Static Tipping Load, Straight (With tire deflection)	kg	12 959	12 819	13 148	12 699
	lb	28,571	28,261	28,986	27,997
Static Tipping Load, Straight (No tire deflection)	kg	13 715	13 573	13 912	13 450
	lb	30,237	29,923	30,672	29,652
Static Tipping Load, Articulated (With tire deflection)	kg	11 104	10 964	11 275	10 857
	lb	24,482	24,171	24,858	23,937
Static Tipping Load, Articulated (No tire deflection)	kg	11 869	11 727	12 049	11 618
	lb	26,167	25,854	26,564	25,613
Breakout Force (§)	kN	135	134	146	128
	lbf	30,474	30,206	32,863	28,881
Operating Weight*	kg	19 150	19 258	19 101	19 287
	lb	42,217	42,456	42,109	42,519

\* Static tipping loads and operating weights shown are based on a machine configuration with Bridgestone 23.5R25 VJT L3 radial tires, full fluids, operator, auxiliary counterweight, ride control, cold start, roading fenders, Product Link, manual diff lock/open axles (front and rear), powertrain guard, secondary steering and sound suppression.

† Illustration shown with Dimension charts.

\*\*\* Rock bucket specifications are given on Bridgestone 23.5R25 VSDL L5 radial tires.

(§) Measured 100 mm (4") behind tip of cutting edge with bucket hinge pin as pivot point in accordance with ISO 14397-2:2007.

(With tire deflection) Full compliance to ISO 14397-1:2007 Sections 1 thru 6, which requires 2% verification between calculations and testing.

(No tire deflection) Compliance to ISO 14397-1:2007 Sections 1 thru 5.

Other buckets are available and offerings vary by region. Consult your local Cat dealer for further details.

## Operating Specifications – Buckets (continued)

Linkage		Auxiliary Counterweight					
Bucket Type		Flat Floor – Pin-On					
Edge Type		Bolt-On Cutting Edges	Teeth and Segments	Tips	Bolt-On Cutting Edges	Teeth and Segments	Tips
Capacity – Rated	m <sup>3</sup>	3.20	3.20	3.00	3.40	3.40	3.20
	yd <sup>3</sup>	4.25	4.25	4.00	4.50	4.50	4.25
Capacity – Rated at 110% Fill Factor	m <sup>3</sup>	3.50	3.50	3.30	3.70	3.70	3.50
	yd <sup>3</sup>	4.50	4.50	4.25	4.75	4.75	4.50
Width	mm	2927	2994	2994	2927	2994	2994
	ft/in	9'7"	9'9"	9'9"	9'7"	9'9"	9'9"
16† Dump Clearance at Maximum Lift and 45° Discharge	mm	2744	2619	2619	2709	2584	2584
	ft/in	9'0"	8'7"	8'7"	8'10"	8'5"	8'5"
17† Reach at Maximum Lift and 45° Discharge	mm	1261	1364	1364	1297	1399	1399
	ft/in	4'1"	4'5"	4'5"	4'3"	4'7"	4'7"
Reach at Level Lift Arm and Bucket Level	mm	2678	2839	2839	2728	2889	2889
	ft/in	8'9"	9'3"	9'3"	8'11"	9'5"	9'5"
A† Digging Depth	mm	109	109	79	109	109	79
	in	4.3"	4.3"	3.1"	4.3"	4.3"	3.1"
12† Overall Length	mm	8302	8476	8476	8352	8526	8526
	ft/in	27'3"	27'10"	27'10"	27'5"	28'0"	28'0"
B† Overall Height with Bucket at Maximum Lift	mm	5478	5478	5478	5527	5527	5527
	ft/in	18'0"	18'0"	18'0"	18'2"	18'2"	18'2"
Loader Clearance Circle Radius with Bucket at Carry Position	mm	6695	6777	6777	6709	6791	6791
	ft/in	22'0"	22'3"	22'3"	22'1"	22'4"	22'4"
Static Tipping Load, Straight (With tire deflection)	kg	13 523	13 384	13 651	13 428	13 288	13 550
	lb	29,815	29,507	30,096	29,605	29,296	29,874
Static Tipping Load, Straight (No tire deflection)	kg	14 274	14 133	14 405	14 182	14 040	14 307
	lb	31,469	31,159	31,758	31,266	30,953	31,541
Static Tipping Load, Articulated (With tire deflection)	kg	11 655	11 515	11 765	11 565	11 424	11 669
	lb	25,695	25,387	25,938	25,497	25,187	25,727
Static Tipping Load, Articulated (No tire deflection)	kg	12 415	12 274	12 527	12 327	12 186	12 434
	lb	27,370	27,060	27,619	27,178	26,865	27,414
Breakout Force (§)	kN	146	145	158	140	139	152
	lbf	32,907	32,638	35,672	31,602	31,333	34,160
Operating Weight*	kg	18 628	18 736	18 579	18 676	18 784	18 627
	lb	41,067	41,305	40,959	41,172	41,411	41,064

\* Static tipping loads and operating weights shown are based on a machine configuration with Bridgestone 23.5R25 VJT L3 radial tires, full fluids, operator, auxiliary counterweight, ride control, cold start, roading fenders, Product Link, manual diff lock/open axles (front and rear), powertrain guard, secondary steering and sound suppression.

† Illustration shown with Dimension charts.

\*\*\* Rock bucket specifications are given on Bridgestone 23.5R25 VSDL L5 radial tires.

(§) Measured 100 mm (4") behind tip of cutting edge with bucket hinge pin as pivot point in accordance with ISO 14397-2:2007.

(With tire deflection) Full compliance to ISO 14397-1:2007 Sections 1 thru 6, which requires 2% verification between calculations and testing.

(No tire deflection) Compliance to ISO 14397-1:2007 Sections 1 thru 5.

Other buckets are available and offerings vary by region. Consult your local Cat dealer for further details.

# 950 Wheel Loader Specifications

## Operating Specifications – Buckets (continued)

Linkage		Auxiliary Counterweight			
Bucket Type		Flat Floor – Pin-On			Flat Floor – Pin-On – Light Material
Edge Type		Bolt-On Cutting Edges	Teeth and Segments	Tips	Bolt-On Cutting Edges
Capacity – Rated	m <sup>3</sup>	3.80	3.80	3.60	4.40
	yd <sup>3</sup>	5.00	5.00	4.75	5.75
Capacity – Rated at 110% Fill Factor	m <sup>3</sup>	4.20	4.20	4.00	4.80
	yd <sup>3</sup>	5.50	5.50	5.25	6.25
Width	mm	2927	2994	2994	3059
	ft/in	9'7"	9'9"	9'9"	10'0"
<b>16</b> † Dump Clearance at Maximum Lift and 45° Discharge	mm	2631	2505	2505	2575
	ft/in	8'7"	8'2"	8'2"	8'5"
<b>17</b> † Reach at Maximum Lift and 45° Discharge	mm	1375	1478	1478	1419
	ft/in	4'6"	4'10"	4'10"	4'7"
Reach at Level Lift Arm and Bucket Level	mm	2839	3000	3000	2909
	ft/in	9'3"	9'10"	9'10"	9'6"
<b>A</b> † Digging Depth	mm	109	109	79	117
	in	4.3"	4.3"	3.1"	4.6"
<b>12</b> † Overall Length	mm	8463	8637	8637	8539
	ft/in	27'10"	28'5"	28'5"	28'1"
<b>B</b> † Overall Height with Bucket at Maximum Lift	mm	5626	5626	5626	5704
	ft/in	18'6"	18'6"	18'6"	18'9"
Loader Clearance Circle Radius with Bucket at Carry Position	mm	6740	6823	6823	6822
	ft/in	22'2"	22'5"	22'5"	22'5"
Static Tipping Load, Straight (With tire deflection)	kg	13 226	13 084	13 330	12 955
	lb	29,159	28,846	29,389	28,561
Static Tipping Load, Straight (No tire deflection)	kg	13 986	13 842	14 092	13 716
	lb	30,834	30,517	31,068	30,239
Static Tipping Load, Articulated (With tire deflection)	kg	11 373	11 230	11 461	11 112
	lb	25,073	24,760	25,268	24,499
Static Tipping Load, Articulated (No tire deflection)	kg	12 142	11 998	12 231	11 883
	lb	26,769	26,452	26,966	26,199
Breakout Force (§)	kN	129	127	138	121
	lbf	29,009	28,742	31,183	27,368
Operating Weight*	kg	18 778	18 886	18 729	18 934
	lb	41,397	41,635	41,289	41,741

\* Static tipping loads and operating weights shown are based on a machine configuration with Bridgestone 23.5R25 VJT L3 radial tires, full fluids, operator, auxiliary counterweight, ride control, cold start, roading fenders, Product Link, manual diff lock/open axles (front and rear), powertrain guard, secondary steering and sound suppression.

† Illustration shown with Dimension charts.

\*\*\* Rock bucket specifications are given on Bridgestone 23.5R25 VSDL L5 radial tires.

(§) Measured 100 mm (4") behind tip of cutting edge with bucket hinge pin as pivot point in accordance with ISO 14397-2:2007.

(With tire deflection) Full compliance to ISO 14397-1:2007 Sections 1 thru 6, which requires 2% verification between calculations and testing.

(No tire deflection) Compliance to ISO 14397-1:2007 Sections 1 thru 5.

Other buckets are available and offerings vary by region. Consult your local Cat dealer for further details.



# 950 Wheel Loader Specifications

## Operating Specifications – Buckets (continued)

Linkage		Auxiliary Counterweight						
Bucket Type		Flat Floor – Hook-On – Fusion						
Edge Type		Bolt-On Cutting Edges	Teeth and Segments	Tips	Bolt-On Cutting Edges	Bolt-On Cutting Edges	Teeth and Segments	Tips
Capacity – Rated	m <sup>3</sup>	3.40	3.40	3.30	3.60	3.80	3.80	3.70
	yd <sup>3</sup>	4.50	4.50	4.25	4.75	5.00	5.00	4.75
Capacity – Rated at 110% Fill Factor	m <sup>3</sup>	3.70	3.70	3.60	4.00	4.20	4.20	4.00
	yd <sup>3</sup>	4.75	4.75	4.75	5.25	5.50	5.50	5.25
Width	mm	2927	2994	2994	2927	2927	2994	2994
	ft/in	9'7"	9'9"	9'9"	9'7"	9'7"	9'9"	9'9"
<b>16</b> † Dump Clearance at Maximum Lift and 45° Discharge	mm	2783	2672	2672	2649	2596	2470	2470
	ft/in	9'1"	8'9"	8'9"	8'8"	8'6"	8'1"	8'1"
<b>17</b> † Reach at Maximum Lift and 45° Discharge	mm	1223	1311	1311	1357	1410	1512	1512
	ft/in	4'0"	4'3"	4'3"	4'5"	4'7"	4'11"	4'11"
Reach at Level Lift Arm and Bucket Level	mm	2622	2764	2764	2813	2888	3049	3049
	ft/in	8'7"	9'0"	9'0"	9'2"	9'5"	10'0"	10'0"
<b>A</b> † Digging Depth	mm	109	109	79	109	109	109	79
	in	4.3"	4.3"	3.1"	4.3"	4.3"	4.3"	3.1"
<b>12</b> † Overall Length	mm	8247	8401	8401	8437	8512	8686	8686
	ft/in	27'1"	27'7"	27'7"	27'9"	28'0"	28'6"	28'6"
<b>B</b> † Overall Height with Bucket at Maximum Lift	mm	5450	5450	5450	5579	5656	5656	5656
	ft/in	17'11"	17'11"	17'11"	18'4"	18'7"	18'7"	18'7"
Loader Clearance Circle Radius with Bucket at Carry Position	mm	6675	6752	6752	6729	6751	6835	6835
	ft/in	21'11"	22'2"	22'2"	22'1"	22'2"	22'6"	22'6"
Static Tipping Load, Straight (With tire deflection)	kg	13 567	13 426	13 771	12 933	12 690	12 548	12 873
	lb	29,910	29,600	30,361	28,512	27,978	27,665	28,381
Static Tipping Load, Straight (No tire deflection)	kg	14 364	14 221	14 580	13 693	13 442	13 299	13 635
	lb	31,667	31,353	32,144	30,189	29,635	29,319	30,060
Static Tipping Load, Articulated (With tire deflection)	kg	11 661	11 520	11 846	11 078	10 857	10 715	11 023
	lb	25,708	25,397	26,116	24,423	23,935	23,623	24,302
Static Tipping Load, Articulated (No tire deflection)	kg	12 465	12 323	12 662	11 847	11 618	11 475	11 794
	lb	27,481	27,167	27,915	26,119	25,614	25,298	26,001
Breakout Force (§)	kN	153	151	166	131	124	123	133
	lbf	34,430	34,159	37,447	29,554	27,942	27,676	29,971
Operating Weight*	kg	18 939	19 047	18 890	19 157	19 242	19 350	19 193
	lb	41,752	41,990	41,644	42,233	42,420	42,658	42,312

\*Static tipping loads and operating weights shown are based on a machine configuration with Bridgestone 23.5R25 VJT L3 radial tires, full fluids, operator, auxiliary counterweight, ride control, cold start, roading fenders, Product Link, manual diff lock/open axles (front and rear), powertrain guard, secondary steering and sound suppression.

† Illustration shown with Dimension charts.

\*\*\*Rock bucket specifications are given on Bridgestone 23.5R25 VSDL L5 radial tires.

(§) Measured 100 mm (4") behind tip of cutting edge with bucket hinge pin as pivot point in accordance with ISO 14397-2:2007.

(With tire deflection) Full compliance to ISO 14397-1:2007 Sections 1 thru 6, which requires 2% verification between calculations and testing.

(No tire deflection) Compliance to ISO 14397-1:2007 Sections 1 thru 5.

Other buckets are available and offerings vary by region. Consult your local Cat dealer for further details.

# 950 Wheel Loader Specifications

## Operating Specifications – Buckets (continued)

Linkage		Auxiliary Counterweight					
Bucket Type		Multi-Purpose – Pin-On			Multi-Purpose – Hook-On – Fusion		
Edge Type		Bolt-On Cutting Edges	Teeth and Segments	Tips	Bolt-On Cutting Edges	Teeth and Segments	Tips
Capacity – Rated	m <sup>3</sup>	2.80	2.80	2.60	2.90	2.90	2.70
	yd <sup>3</sup>	3.50	3.50	3.25	3.75	3.75	3.50
Capacity – Rated at 110% Fill Factor	m <sup>3</sup>	3.00	3.00	2.80	3.20	3.20	3.00
	yd <sup>3</sup>	4.00	4.00	3.75	4.25	4.25	4.00
Width	mm	2942	2999	2999	3007	3000	3000
	ft/in	9'7"	9'10"	9'10"	9'10"	9'10"	9'10"
16† Dump Clearance at Maximum Lift and 45° Discharge	mm	2944	2836	2836	2936	2827	2827
	ft/in	9'7"	9'3"	9'3"	9'7"	9'3"	9'3"
17† Reach at Maximum Lift and 45° Discharge	mm	1318	1434	1434	1408	1527	1527
	ft/in	4'3"	4'8"	4'8"	4'7"	5'0"	5'0"
Reach at Level Lift Arm and Bucket Level	mm	2538	2695	2695	2615	2776	2776
	ft/in	8'3"	8'10"	8'10"	8'6"	9'1"	9'1"
A† Digging Depth	mm	137	137	107	89	89	59
	in	5.3"	5.3"	4.2"	3.5"	3.5"	2.3"
12† Overall Length	mm	8184	8355	8355	8224	8400	8400
	ft/in	26'11"	27'5"	27'5"	27'0"	27'7"	27'7"
B† Overall Height with Bucket at Maximum Lift	mm	5268	5268	5268	5354	5354	5354
	ft/in	17'4"	17'4"	17'4"	17'7"	17'7"	17'7"
Loader Clearance Circle Radius with Bucket at Carry Position	mm	6675	6751	6751	6702	6751	6751
	ft/in	21'11"	22'2"	22'2"	22'0"	22'2"	22'2"
Static Tipping Load, Straight (With tire deflection)	kg	13 275	13 123	13 451	12 853	12 723	13 038
	lb	29,268	28,932	29,655	28,336	28,049	28,744
Static Tipping Load, Straight (No tire deflection)	kg	14 020	13 866	14 208	13 625	13 493	13 822
	lb	30,910	30,571	31,323	30,038	29,748	30,472
Static Tipping Load, Articulated (With tire deflection)	kg	11 395	11 242	11 552	10 976	10 845	11 142
	lb	25,122	24,786	25,468	24,198	23,911	24,564
Static Tipping Load, Articulated (No tire deflection)	kg	12 149	11 995	12 317	11 756	11 625	11 934
	lb	26,785	26,445	27,156	25,919	25,628	26,310
Breakout Force (§)	kN	163	161	178	152	150	165
	lbf	36,642	36,325	40,036	34,181	33,913	37,177
Operating Weight*	kg	18 997	19 115	18 962	19 467	19 567	19 425
	lb	41,880	42,141	41,804	42,917	43,136	42,823

\* Static tipping loads and operating weights shown are based on a machine configuration with Bridgestone 23.5R25 VJT L3 radial tires, full fluids, operator, auxiliary counterweight, ride control, cold start, roading fenders, Product Link, manual diff lock/open axles (front and rear), powertrain guard, secondary steering and sound suppression.

† Illustration shown with Dimension charts.

\*\*\* Rock bucket specifications are given on Bridgestone 23.5R25 VSDL L5 radial tires.

(§) Measured 100 mm (4") behind tip of cutting edge with bucket hinge pin as pivot point in accordance with ISO 14397-2:2007.

(With tire deflection) Full compliance to ISO 14397-1:2007 Sections 1 thru 6, which requires 2% verification between calculations and testing.

(No tire deflection) Compliance to ISO 14397-1:2007 Sections 1 thru 5.

Other buckets are available and offerings vary by region. Consult your local Cat dealer for further details.

## Operating Specifications – Buckets *(continued)*

Linkage		Auxiliary Counterweight	
Bucket Type		High Dump – Hook-On – Fusion	
Edge Type		Bolt-On Cutting Edges	Bolt-On Cutting Edges
Capacity – Rated	m <sup>3</sup>	4.30	6.10
	yd <sup>3</sup>	5.50	8.00
Capacity – Rated at 110% Fill Factor	m <sup>3</sup>	4.70	6.70
	yd <sup>3</sup>	6.25	8.75
Width	mm	3029	2910
	ft/in	9'11"	9'6"
16† Dump Clearance at Maximum Lift and 45° Discharge	mm	2406	2299
	ft/in	7'10"	7'6"
17† Reach at Maximum Lift and 45° Discharge	mm	1513	1613
	ft/in	4'11"	5'3"
Reach at Level Lift Arm and Bucket Level	mm	3095	3241
	ft/in	10'1"	10'7"
A† Digging Depth	mm	171	176
	in	6.7"	6.9"
12† Overall Length	mm	8766	8916
	ft/in	28'10"	29'4"
B† Overall Height with Bucket at Maximum Lift	mm	5663	6035
	ft/in	18'7"	19'10"
Loader Clearance Circle Radius with Bucket at Carry Position	mm	6882	6875
	ft/in	22'7"	22'7"
Static Tipping Load, Straight (With tire deflection)	kg	11 572	11 352
	lb	25,512	25,028
Static Tipping Load, Straight (No tire deflection)	kg	12 287	12 137
	lb	27,089	26,758
Static Tipping Load, Articulated (With tire deflection)	kg	9802	9553
	lb	21,610	21,061
Static Tipping Load, Articulated (No tire deflection)	kg	10 528	10 345
	lb	23,210	22,808
Breakout Force (§)	kN	105	95
	lbf	23,812	21,377
Operating Weight*	kg	19 817	20 177
	lb	43,688	44,482

\* Static tipping loads and operating weights shown are based on a machine configuration with Bridgestone 23.5R25 VJT L3 radial tires, full fluids, operator, auxiliary counterweight, ride control, cold start, roading fenders, Product Link, manual diff lock/open axles (front and rear), powertrain guard, secondary steering and sound suppression.

† Illustration shown with Dimension charts.

\*\*\* Rock bucket specifications are given on Bridgestone 23.5R25 VSDL L5 radial tires.

(§) Measured 100 mm (4") behind tip of cutting edge with bucket hinge pin as pivot point in accordance with ISO 14397-2:2007.

(With tire deflection) Full compliance to ISO 14397-1:2007 Sections 1 thru 6, which requires 2% verification between calculations and testing.

(No tire deflection) Compliance to ISO 14397-1:2007 Sections 1 thru 5.

Other buckets are available and offerings vary by region. Consult your local Cat dealer for further details.

# 950 Wheel Loader Specifications

## Operating Specifications – Buckets *(continued)*

Linkage		Auxiliary Counterweight	
Bucket Type		Woodchip – Hook-On – Fusion	
Edge Type		Bolt-On Cutting Edges	Bolt-On Cutting Edges
Capacity – Rated	m <sup>3</sup>	7.70	9.20
	yd <sup>3</sup>	10.00	12.00
Capacity – Rated at 110% Fill Factor	m <sup>3</sup>	8.40	10.10
	yd <sup>3</sup>	11.00	13.25
Width	mm	3330	3330
	ft/in	10'11"	10'11"
16† Dump Clearance at Maximum Lift and 45° Discharge	mm	2424	2247
	ft/in	7'11"	7'4"
17† Reach at Maximum Lift and 45° Discharge	mm	1589	1766
	ft/in	5'2"	5'9"
Reach at Level Lift Arm and Bucket Level	mm	3136	3386
	ft/in	10'3"	11'1"
A† Digging Depth	mm	104	104
	in	4.1"	4.1"
12† Overall Length	mm	8757	9007
	ft/in	28'9"	29'7"
B† Overall Height with Bucket at Maximum Lift	mm	6107	6331
	ft/in	20'1"	20'10"
Loader Clearance Circle Radius with Bucket at Carry Position	mm	7003	7079
	ft/in	23'0"	23'3"
Static Tipping Load, Straight (With tire deflection)	kg	13,259	12,769
	lb	29,232	28,151
Static Tipping Load, Straight (No tire deflection)	kg	14,172	13,686
	lb	31,246	30,172
Static Tipping Load, Articulated (With tire deflection)	kg	11,320	10,857
	lb	24,956	23,936
Static Tipping Load, Articulated (No tire deflection)	kg	12,237	11,778
	lb	26,978	25,966
Breakout Force (§)	kN	105	89
	lbf	23,623	20,212
Operating Weight*	kg	19,370	19,600
	lb	42,702	43,209

\* Static tipping loads and operating weights shown are based on a machine configuration with Bridgestone 23.5R25 VJT L3 radial tires, full fluids, operator, auxiliary counterweight, ride control, cold start, roading fenders, Product Link, manual diff lock/open axles (front and rear), powertrain guard, secondary steering and sound suppression.

† Illustration shown with Dimension charts.

\*\*\* Rock bucket specifications are given on Bridgestone 23.5R25 VSDL L5 radial tires.

(§) Measured 100 mm (4") behind tip of cutting edge with bucket hinge pin as pivot point in accordance with ISO 14397-2:2007.

(With tire deflection) Full compliance to ISO 14397-1:2007 Sections 1 thru 6, which requires 2% verification between calculations and testing.

(No tire deflection) Compliance to ISO 14397-1:2007 Sections 1 thru 5.

Other buckets are available and offerings vary by region. Consult your local Cat dealer for further details.

## Operating Specifications – Buckets *(continued)*

Linkage		Auxiliary Counterweight	
Bucket Type		Rock, Spade – Pin-On***	
Edge Type		Teeth and Segments	Teeth and Segments
Capacity – Rated	m <sup>3</sup>	2.90	3.10
	yd <sup>3</sup>	3.75	4.00
Capacity – Rated at 110% Fill Factor	m <sup>3</sup>	3.20	3.40
	yd <sup>3</sup>	4.25	4.50
Width	mm	2994	2992
	ft/in	9'9"	9'9"
16† Dump Clearance at Maximum Lift and 45° Discharge	mm	2680	2634
	ft/in	8'9"	8'7"
17† Reach at Maximum Lift and 45° Discharge	mm	1579	1601
	ft/in	5'2"	5'3"
Reach at Level Lift Arm and Bucket Level	mm	2960	3010
	ft/in	9'8"	9'10"
A† Digging Depth	mm	51	42
	in	2"	1.6"
12† Overall Length	mm	8577	8627
	ft/in	28'2"	28'4"
B† Overall Height with Bucket at Maximum Lift	mm	5418	5501
	ft/in	17'10"	18'1"
Loader Clearance Circle Radius with Bucket at Carry Position	mm	6817	6831
	ft/in	22'5"	22'5"
Static Tipping Load, Straight (With tire deflection)	kg	13 777	13 965
	lb	30,374	30,787
Static Tipping Load, Straight (No tire deflection)	kg	14 591	14 780
	lb	32,168	32,586
Static Tipping Load, Articulated (With tire deflection)	kg	11 802	11 997
	lb	26,020	26,449
Static Tipping Load, Articulated (No tire deflection)	kg	12 625	12 821
	lb	27,833	28,266
Breakout Force (§)	kN	135	130
	lbf	30,415	29,413
Operating Weight*	kg	19 824	19 574
	lb	43,704	43,152

\* Static tipping loads and operating weights shown are based on a machine configuration with Bridgestone 23.5R25 VJT L3 radial tires, full fluids, operator, auxiliary counterweight, ride control, cold start, roading fenders, Product Link, manual diff lock/open axles (front and rear), powertrain guard, secondary steering and sound suppression.

† Illustration shown with Dimension charts.

\*\*\* Rock bucket specifications are given on Bridgestone 23.5R25 VSDL L5 radial tires.

(§) Measured 100 mm (4") behind tip of cutting edge with bucket hinge pin as pivot point in accordance with ISO 14397-2:2007.

(With tire deflection) Full compliance to ISO 14397-1:2007 Sections 1 thru 6, which requires 2% verification between calculations and testing.

(No tire deflection) Compliance to ISO 14397-1:2007 Sections 1 thru 5.

Other buckets are available and offerings vary by region. Consult your local Cat dealer for further details.

# 950 Wheel Loader Specifications

## Operating Specifications – Buckets (continued)

Linkage		Auxiliary Counterweight			
Bucket Type	Side Dump – Pin-On – Abrasion			Side Dump – Hook-On – Fusion	
Edge Type	Bolt-On Cutting Edges	Teeth and Segments	Tips	Bolt-On Cutting Edges	
Capacity – Rated	m <sup>3</sup>	2.50	2.50	2.30	2.90
	yd <sup>3</sup>	3.25	3.25	3.00	3.75
Capacity – Rated at 110% Fill Factor	m <sup>3</sup>	2.80	2.80	2.50	3.20
	yd <sup>3</sup>	3.75	3.75	3.25	4.25
Width	mm	3065	3166	3166	3220
	ft/in	10'0"	10'4"	10'4"	10'6"
<b>16</b> † Dump Clearance at Maximum Lift and 45° Discharge	mm	2666	2508	2508	2701
	ft/in	8'8"	8'2"	8'2"	8'10"
<b>17</b> † Reach at Maximum Lift and 45° Discharge	mm	1344	1447	1447	1297
	ft/in	4'4"	4'8"	4'8"	4'3"
Reach at Level Lift Arm and Bucket Level	mm	2791	2975	2975	2733
	ft/in	9'1"	9'9"	9'9"	8'11"
<b>A</b> † Digging Depth	mm	106	106	71	114
	in	4.2"	4.2"	2.8"	4.5"
<b>12</b> † Overall Length	mm	8413	8628	8628	8362
	ft/in	27'8"	28'4"	28'4"	27'6"
<b>B</b> † Overall Height with Bucket at Maximum Lift	mm	5723	5723	5723	5468
	ft/in	18'10"	18'10"	18'10"	18'0"
Loader Clearance Circle Radius with Bucket at Carry Position	mm	6788	6900	6900	6841
	ft/in	22'4"	22'8"	22'8"	22'6"
Static Tipping Load, Straight (With tire deflection)	kg	11 529	11 303	11 599	12 422
	lb	25,417	24,919	25,571	27,386
Static Tipping Load, Straight (No tire deflection)	kg	12 264	12 035	12 343	13 195
	lb	27,037	26,533	27,212	29,092
Static Tipping Load, Articulated (With tire deflection)	kg	9745	9520	9799	10 574
	lb	21,485	20,988	21,603	23,313
Static Tipping Load, Articulated (No tire deflection)	kg	10 490	10 262	10 553	11 357
	lb	23,128	22,624	23,266	25,039
Breakout Force (§)	kN	128	126	135	137
	lbf	28,819	28,391	30,431	30,793
Operating Weight*	kg	19 978	20 155	20 005	19 706
	lb	44,043	44,433	44,102	43,443

\* Static tipping loads and operating weights shown are based on a machine configuration with Bridgestone 23.5R25 VJT L3 radial tires, full fluids, operator, auxiliary counterweight, ride control, cold start, roading fenders, Product Link, manual diff lock/open axles (front and rear), powertrain guard, secondary steering and sound suppression.

† Illustration shown with Dimension charts.

\*\*\* Rock bucket specifications are given on Bridgestone 23.5R25 VSDL L5 radial tires.

(§) Measured 100 mm (4") behind tip of cutting edge with bucket hinge pin as pivot point in accordance with ISO 14397-2:2007.

(With tire deflection) Full compliance to ISO 14397-1:2007 Sections 1 thru 6, which requires 2% verification between calculations and testing.

(No tire deflection) Compliance to ISO 14397-1:2007 Sections 1 thru 5.

Other buckets are available and offerings vary by region. Consult your local Cat dealer for further details.

# 950 Wheel Loader Specifications

## Fork Specifications

### Fork Specifications

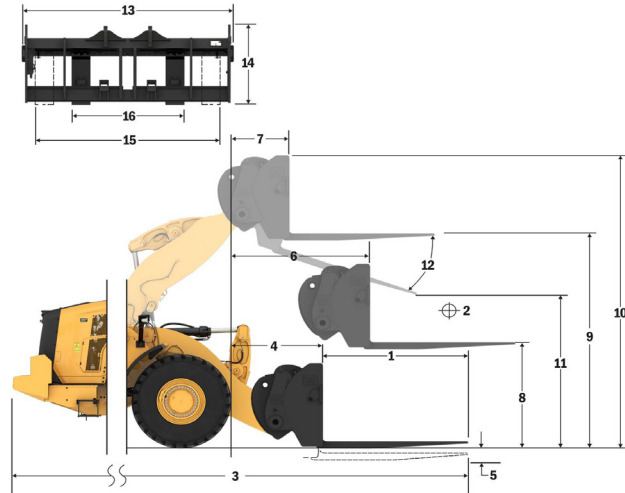
1	Tine Length	mm	1524
		in	60.0
2	Load Center	mm	762
		in	30.0
	Static Tipping Load - Straight (Forks Level)	kg	9095
		lbs	20046
	Static Tipping Load - Articulated (Forks Level)	kg	7908
		lbs	17428
	Rated Load (SAE J1197 - 50% FTSTL)	kg	3954
		lbs	8714
	Rated Load (CEN EN 474-3 Rough Terrain - 60% FTSTL)	kg	4745
		lbs	10457
	Rated Load (CEN EN 474-3 Firm and Level Ground - 80% FTSTL)	kg	6326
		lbs	13943
3	Maximum Overall Length	mm	8909
		in	350.7
4	Reach with Forks at Ground Level	mm	1170
		in	46.1
5	*Ground to Bottom of Tine at Minimum Height and Fork Level	mm	-167
		in	-6.6
6	Reach with Arms Horizontal and Forks Level	mm	1682
		in	66.2
7	Reach with Fork at Maximum Height	mm	910
		in	35.8
8	Ground to Top of Tine with Arms Horizontal and Fork Level	mm	1743
		in	68.6
9	Ground to Top of Tine at Maximum Height and Fork Level	mm	3671
		in	144.5
10	Overall Height of Fork at Full Lift (top of carriage to ground)	mm	4446
		in	175.1
11	Clearance at Full Lift and Max Dump	mm	2270
		in	89.4
12	Max Discharge Angle from Horizontal	deg	48
13	Overall Carriage Width	mm	2217
		in	87.3
14	Overall Carriage Height	mm	840
		in	33.1
15	Outside Tine Width (max spread)	mm	2070
		in	81.5
16	Outside Tine Width (min spread)	mm	470
		in	18.5
	Tine Width (single tine)	mm	150.0
		in	5.9
	Tine Thickness	mm	65.0
		in	2.6
	Tine Capacity	kg	6300
		lbs	13885
	Operating Weight	kg	17738
		lbs	39095

\*Negative values indicate below grade

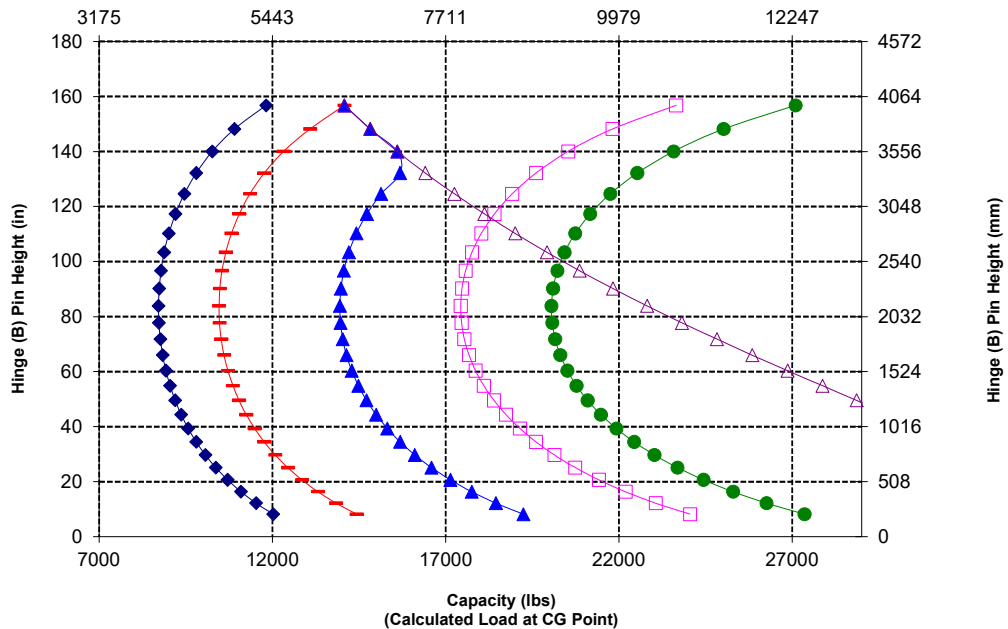
### 950 STD Pallet Fork, FUSION

87" Carriage 60" Tine  
530-1861 548-3265

\*Build 14A  
\*Z-Bar Linkage  
\*Standard Lift Configuration



Capacity (kg)  
(Calculated Load at CG Point)



**NOTE:** Static tipping loads and operating weight are based on the following loader configuration: Bridgestone VJTL3 Tires, Air Conditioning, Ride Control, Powertrain Guard, Full Fluids, Fuel Tank, Coolant, Lubricants, and Operator.

Specifications and ratings conform to the following standards: SAE\* J1197, ISO 14397-1, CEN\*\* EN 474-3.

The rated operating load for a loader equipped with a pallet fork is determined by:  
SAE J1197: 50% of full turn static tipping load or hydraulic limit.  
CEN EN 474-3: 60% of full turn static tipping load on rough terrain or hydraulic limit.  
CEN EN 474-3: 80% of full turn static tipping load on firm and level ground or hydraulic limit.

\*SAE - Society of Automotive Engineers  
\*\*CEN - European Committee for Standardization



**WARNING:** Do not exceed tine load capacity. Individual tine capacity is stamped on the side of each tine.

# 950 Wheel Loader Specifications

## Fork Specifications

### Fork Specifications

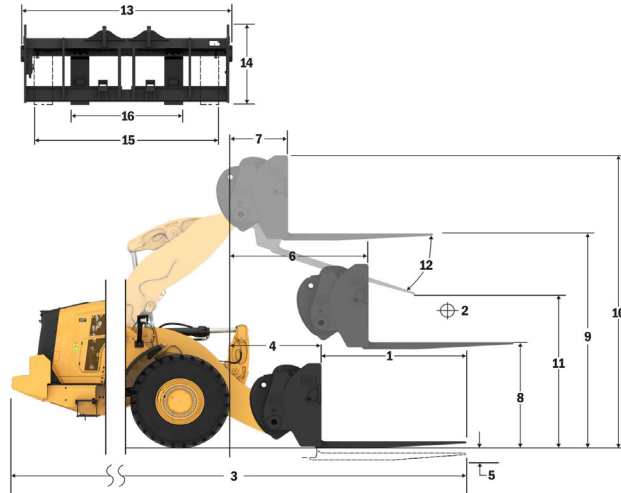
1	Tine Length	mm	1830
		in	72.0
2	Load Center	mm	915
		in	36.0
	Static Tipping Load - Straight (Forks Level)	kg	8642
		lbs	19048
	Static Tipping Load - Articulated (Forks Level)	kg	7508
		lbs	16547
	Rated Load (SAE J1197 - 50% FTSTL)	kg	3754
		lbs	8274
	Rated Load (CEN EN 474-3 Rough Terrain - 60% FTSTL)	kg	4505
		lbs	9928
	Rated Load (CEN EN 474-3 Firm and Level Ground - 80% FTSTL)	kg	5607
		lbs	12358
3	Maximum Overall Length	mm	9215
		in	362.8
4	Reach with Forks at Ground Level	mm	1170
		in	46.1
5	*Ground to Bottom of Tine at Minimum Height and Fork Level	mm	-167
		in	-6.6
6	Reach with Arms Horizontal and Forks Level	mm	1682
		in	66.2
7	Reach with Fork at Maximum Height	mm	910
		in	35.8
8	Ground to Top of Tine with Arms Horizontal and Fork Level	mm	1743
		in	68.6
9	Ground to Top of Tine at Maximum Height and Fork Level	mm	3671
		in	144.5
10	Overall Height of Fork at Full Lift (top of carriage to ground)	mm	4446
		in	175.1
11	Clearance at Full Lift and Max Dump	mm	2042
		in	80.4
12	Max Discharge Angle from Horizontal	deg	48
13	Overall Carriage Width	mm	2217
		in	87.3
14	Overall Carriage Height	mm	840
		in	33.1
15	Outside Tine Width (max spread)	mm	2070
		in	81.5
16	Outside Tine Width (min spread)	mm	470
		in	18.5
	Tine Width (single tine)	mm	150.0
		in	5.9
	Tine Thickness	mm	65.0
		in	2.6
	Tine Capacity	kg	5246
		lbs	11562
	Operating Weight	kg	17785
		lbs	39199

\*Negative values indicate below grade

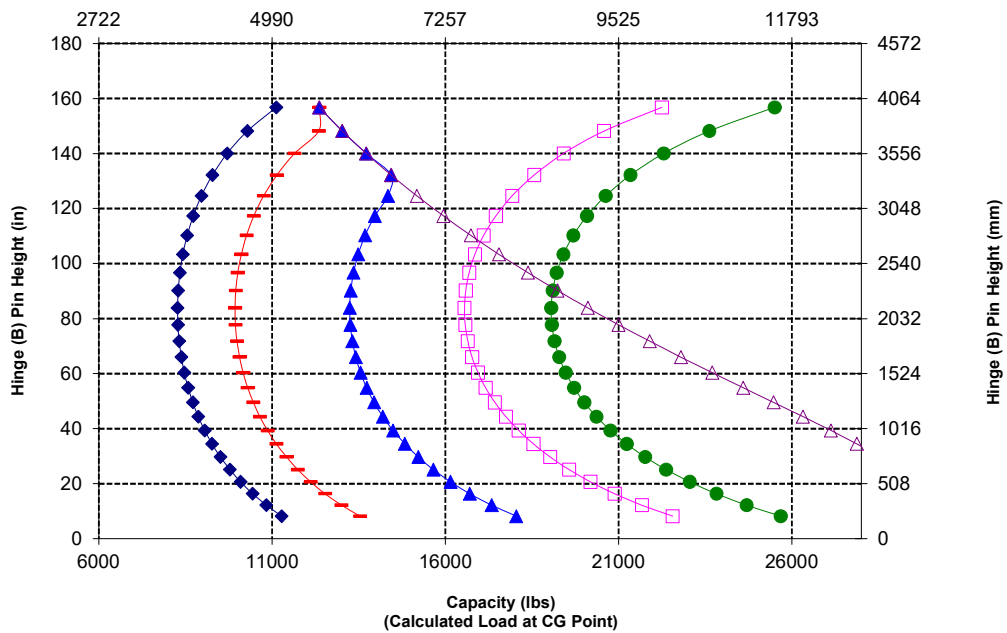
### 950 STD Pallet Fork, FUSION

87" Carriage 72" Tine  
530-1861 530-1869

\*Build 14A  
\*Z-Bar Linkage  
\*Standard Lift Configuration



Capacity (kg)  
(Calculated Load at CG Point)



**NOTE:** Static tipping loads and operating weight are based on the following loader configuration: Bridgestone VJL L3 Tires, Air Conditioning, Ride Control, Powertrain Guard, Full Fluids, Fuel Tank, Coolant, Lubricants, and Operator.

Specifications and ratings conform to the following standards: SAE\* J1197, ISO 14397-1, CEN\*\* EN 474-3.

The rated operating load for a loader equipped with a pallet fork is determined by:  
SAE J1197: 50% of full turn static tipping load or hydraulic limit.  
CEN EN 474-3: 60% of full turn static tipping load on rough terrain or hydraulic limit.  
CEN EN 474-3: 80% of full turn static tipping load on firm and level ground or hydraulic limit.

\*SAE - Society of Automotive Engineers

\*\*CEN - European Committee for Standardization



**WARNING:** Do not exceed tine load capacity. Individual tine capacity is stamped on the side of each tine.



# 950 Wheel Loader Specifications

## Fork Specifications

### Fork Specifications

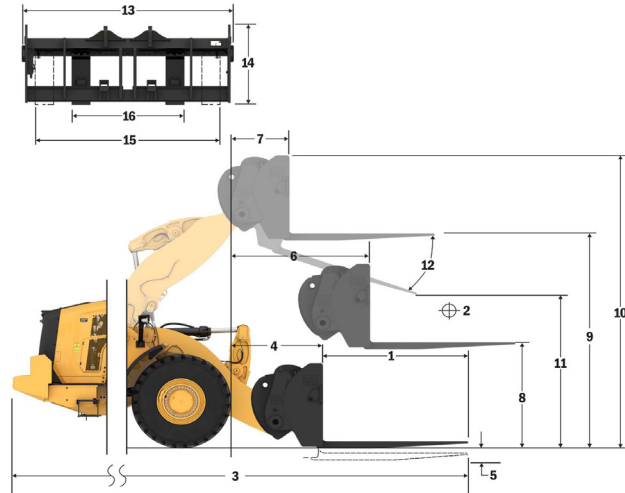
1	Tine Length	mm	1219
		in	48.0
2	Load Center	mm	610
		in	24.0
	Static Tipping Load - Straight (Forks Level)	kg	9325
		lbs	20553
	Static Tipping Load - Articulated (Forks Level)	kg	8077
		lbs	17801
	Rated Load (SAE J1197 - 50% FTSTL)	kg	4038
		lbs	8901
	Rated Load (CEN EN 474-3 Rough Terrain - 60% FTSTL)	kg	4846
		lbs	10681
	Rated Load (CEN EN 474-3 Firm and Level Ground - 80% FTSTL)	kg	6462
		lbs	14241
3	Maximum Overall Length	mm	8558
		in	336.9
4	Reach with Forks at Ground Level	mm	1123
		in	44.2
5	*Ground to Bottom of Tine at Minimum Height and Fork Level	mm	-88
		in	-3.5
6	Reach with Arms Horizontal and Forks Level	mm	1675
		in	65.9
7	Reach with Fork at Maximum Height	mm	903
		in	35.6
8	Ground to Top of Tine with Arms Horizontal and Fork Level	mm	1847
		in	72.7
9	Ground to Top of Tine at Maximum Height and Fork Level	mm	3776
		in	148.7
10	Overall Height of Fork at Full Lift (top of carriage to ground)	mm	4816
		in	189.6
11	Clearance at Full Lift and Max Dump	mm	2468
		in	97.2
12	Max Discharge Angle from Horizontal	deg	55
13	Overall Carriage Width	mm	2528
		in	99.5
14	Overall Carriage Height	mm	1130
		in	44.5
15	Outside Tine Width (max spread)	mm	2178
		in	85.7
16	Outside Tine Width (min spread)	mm	576
		in	22.7
	Tine Width (single tine)	mm	180.0
		in	7.1
	Tine Thickness	mm	90.0
		in	3.5
	Tine Capacity	kg	22200
		lbs	48929
	Operating Weight	kg	18047
		lbs	39776

\*Negative values indicate below grade

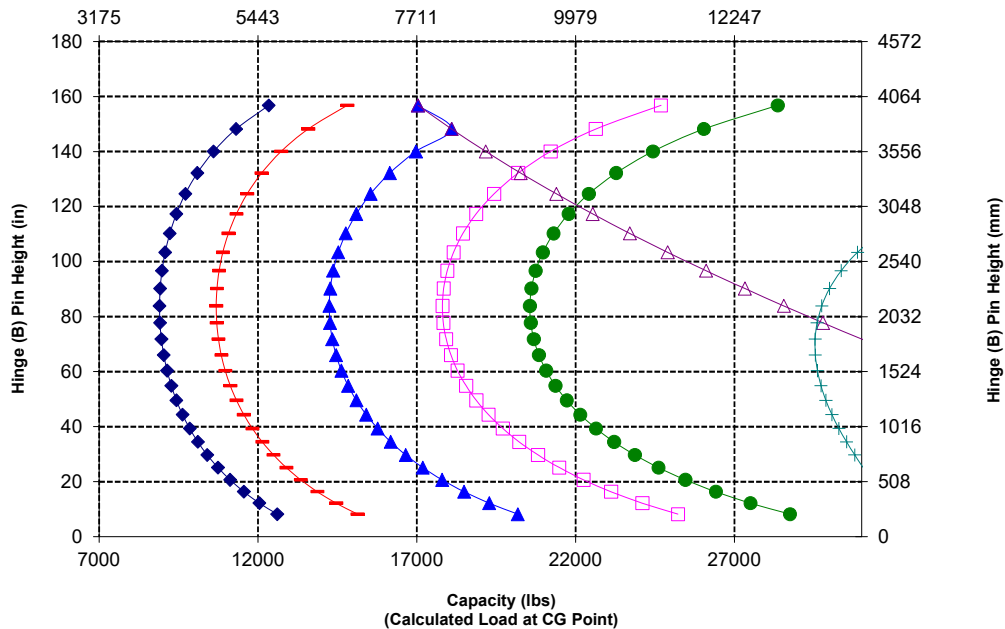
### 950 STD Construction Fork, FUSION

96" Carriage 48" Tine  
520-7957 520-7985

\*Build 14A  
\*Z-Bar Linkage  
\*Standard Lift Configuration



Capacity (kg)  
(Calculated Load at CG Point)



**NOTE:** Static tipping loads and operating weight are based on the following loader configuration: Bridgestone VJTL3 Tires, Air Conditioning, Ride Control, Powertrain Guard, Full Fluids, Fuel Tank, Coolant, Lubricants, and Operator.

Specifications and ratings conform to the following standards: SAE\* J1197, ISO 14397-1, CEN\*\* EN 474-3.

The rated operating load for a loader equipped with a pallet fork is determined by:  
SAE J1197: 50% of full turn static tipping load or hydraulic limit.  
CEN EN 474-3: 60% of full turn static tipping load on rough terrain or hydraulic limit.  
CEN EN 474-3: 80% of full turn static tipping load on firm and level ground or hydraulic limit.

\*SAE - Society of Automotive Engineers

\*\*CEN - European Committee for Standardization



**WARNING:** Do not exceed tine load capacity. Individual tine capacity is stamped on the side of each tine.

# 950 Wheel Loader Specifications

## Fork Specifications

### Fork Specifications

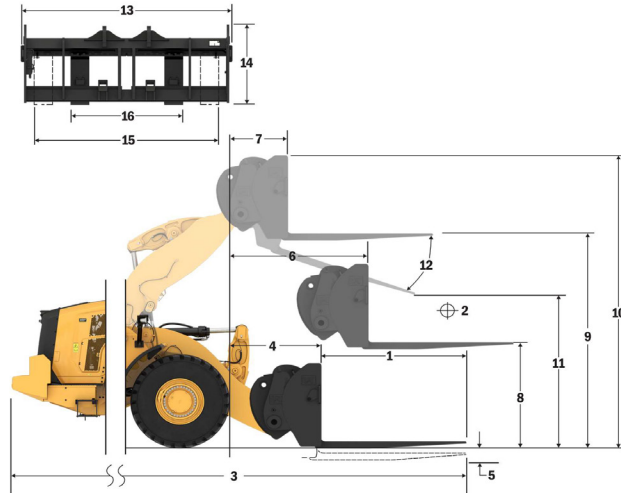
1	Tine Length	mm	1524
		in	60.0
2	Load Center	mm	762
		in	30.0
	Static Tipping Load - Straight (Forks Level)	kg	8824
		lbs	19449
	Static Tipping Load - Articulated (Forks Level)	kg	7634
		lbs	16825
	Rated Load (SAE J1197 - 50% FTSTL)	kg	3817
		lbs	8412
	Rated Load (CEN EN 474-3 Rough Terrain - 60% FTSTL)	kg	4580
		lbs	10095
	Rated Load (CEN EN 474-3 Firm and Level Ground - 80% FTSTL)	kg	6107
		lbs	13460
3	Maximum Overall Length	mm	8863
		in	348.9
4	Reach with Forks at Ground Level	mm	1124
		in	44.2
5	*Ground to Bottom of Tine at Minimum Height and Fork Level	mm	-88
		in	-3.5
6	Reach with Arms Horizontal and Forks Level	mm	1675
		in	66.0
7	Reach with Fork at Maximum Height	mm	903
		in	35.6
8	Ground to Top of Tine with Arms Horizontal and Fork Level	mm	1847
		in	72.7
9	Ground to Top of Tine at Maximum Height and Fork Level	mm	3776
		in	148.7
10	Overall Height of Fork at Full Lift (top of carriage to ground)	mm	4816
		in	189.6
11	Clearance at Full Lift and Max Dump	mm	2220
		in	87.4
12	Max Discharge Angle from Horizontal	deg	55
13	Overall Carriage Width	mm	2528
		in	99.5
14	Overall Carriage Height	mm	1130
		in	44.5
15	Outside Tine Width (max spread)	mm	2178
		in	85.7
16	Outside Tine Width (min spread)	mm	576
		in	22.7
	Tine Width (single tine)	mm	180.0
		in	7.1
	Tine Thickness	mm	90.0
		in	3.5
	Tine Capacity	kg	17800
		lbs	39231
	Operating Weight	kg	18113
		lbs	39922

\*Negative values indicate below grade

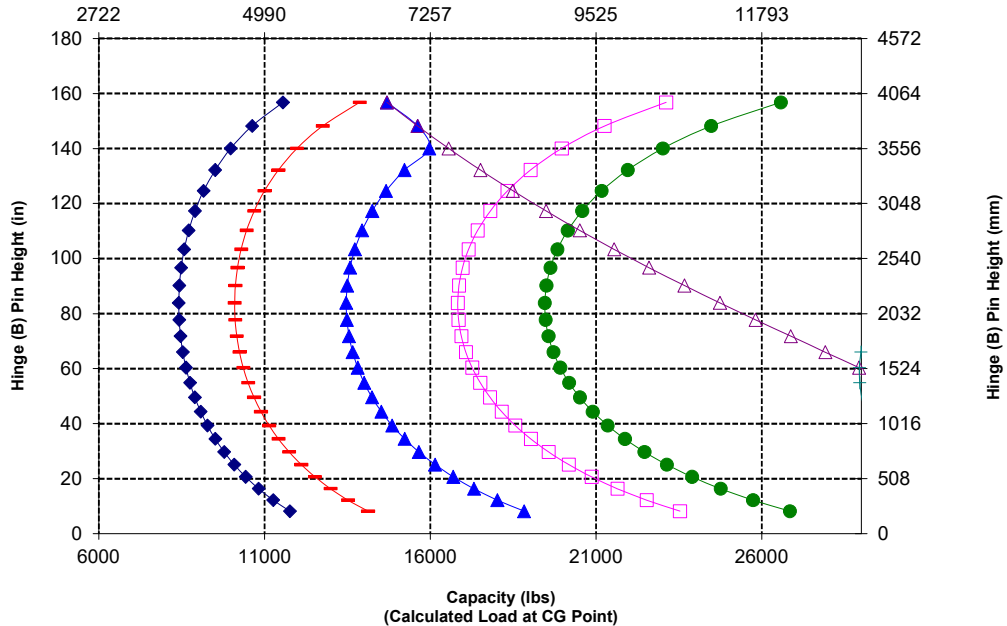
### 950 STD Construction Fork, FUSION

96" Carriage 60" Tine  
520-7957 520-7980

\*Build 14A  
\*Z-Bar Linkage  
\*Standard Lift Configuration



Capacity (kg)  
(Calculated Load at CG Point)



**WARNING:** Do not exceed tine load capacity. Individual tine capacity is stamped on the side of each tine.

# 950 Wheel Loader Specifications

## Fork Specifications

### Fork Specifications

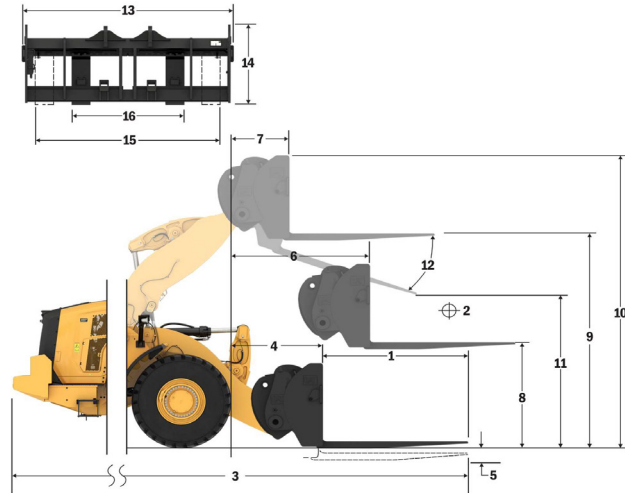
1	Tine Length	mm	1829
		in	72.0
2	Load Center	mm	915
		in	36.0
	Static Tipping Load - Straight (Forks Level)	kg	8366
		lbs	18439
	Static Tipping Load - Articulated (Forks Level)	kg	7228
		lbs	15932
	Rated Load (SAE J1197 - 50% FTSTL)	kg	3614
		lbs	7966
	Rated Load (CEN EN 474-3 Rough Terrain - 60% FTSTL)	kg	4337
		lbs	9559
	Rated Load (CEN EN 474-3 Firm and Level Ground - 80% FTSTL)	kg	5783
		lbs	12745
3	Maximum Overall Length	mm	9168
		in	360.9
4	Reach with Forks at Ground Level	mm	1124
		in	44.2
5	*Ground to Bottom of Tine at Minimum Height and Fork Level	mm	-88
		in	-3.5
6	Reach with Arms Horizontal and Forks Level	mm	1675
		in	66.0
7	Reach with Fork at Maximum Height	mm	903
		in	35.6
8	Ground to Top of Tine with Arms Horizontal and Fork Level	mm	1847
		in	72.7
9	Ground to Top of Tine at Maximum Height and Fork Level	mm	3776
		in	148.7
10	Overall Height of Fork at Full Lift (top of carriage to ground)	mm	4816
		in	189.6
11	Clearance at Full Lift and Max Dump	mm	1972
		in	77.6
12	Max Discharge Angle from Horizontal	deg	55
13	Overall Carriage Width	mm	2528
		in	99.5
14	Overall Carriage Height	mm	1130
		in	44.5
15	Outside Tine Width (max spread)	mm	2178
		in	85.7
16	Outside Tine Width (min spread)	mm	576
		in	22.7
	Tine Width (single tine)	mm	180.0
		in	7.1
	Tine Thickness	mm	90.0
		in	3.5
	Tine Capacity	kg	14800
		lbs	32619
	Operating Weight	kg	18174
		lbs	40056

\*Negative values indicate below grade

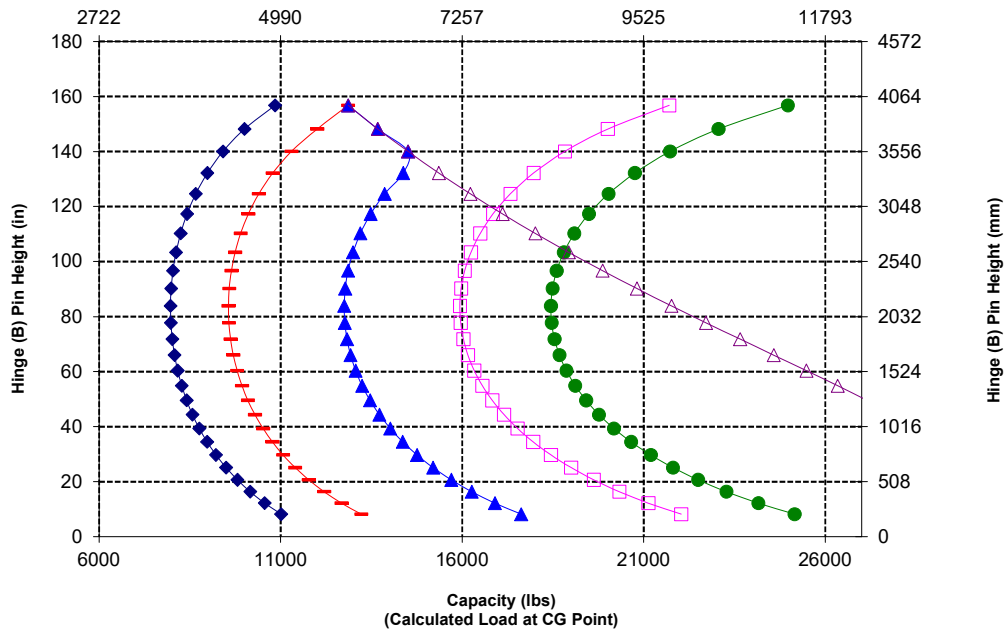
### 950 STD Construction Fork, FUSION

96" Carriage 72" Tine  
520-7957 520-7979

\*Build 14A  
\*Z-Bar Linkage  
\*Standard Lift Configuration



Capacity (kg)  
(Calculated Load at CG Point)



**NOTE:** Static tipping loads and operating weight are based on the following loader configuration: Bridgestone VJTL3 Tires, Air Conditioning, Ride Control, Powertrain Guard, Full Fluids, Fuel Tank, Coolant, Lubricants, and Operator.

Specifications and ratings conform to the following standards: SAE\* J1197, ISO 14397-1, CEN\*\* EN 474-3.

The rated operating load for a loader equipped with a pallet fork is determined by:  
SAE J1197: 50% of full turn static tipping load or hydraulic limit.  
CEN EN 474-3: 60% of full turn static tipping load on rough terrain or hydraulic limit.  
CEN EN 474-3: 80% of full turn static tipping load on firm and level ground or hydraulic limit.

\*SAE - Society of Automotive Engineers  
\*\*CEN - European Committee for Standardization



**WARNING:** Do not exceed tine load capacity. Individual tine capacity is stamped on the side of each tine.

# 950 Wheel Loader Specifications

## Fork Specifications

### Fork Specifications

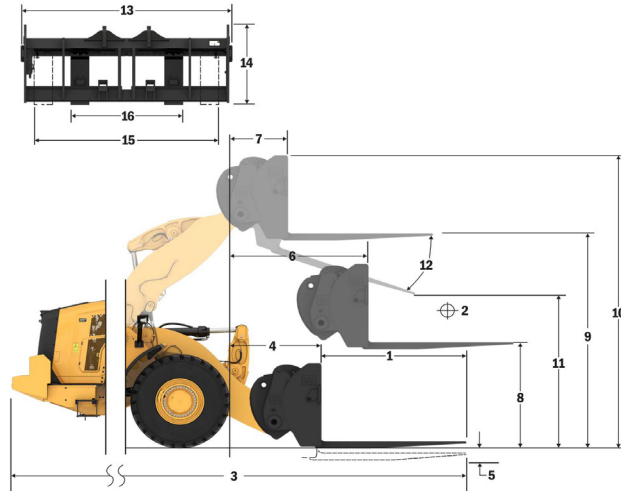
1	Tine Length	mm	2134
		in	84.0
2	Load Center	mm	1067
		in	42.0
	Static Tipping Load - Straight (Forks Level)	kg	7940
		lbs	17500
	Static Tipping Load - Articulated (Forks Level)	kg	6851
		lbs	15099
	Rated Load (SAE J1197 - 50% FTSTL)	kg	3425
		lbs	7550
	Rated Load (CEN EN 474-3 Rough Terrain - 60% FTSTL)	kg	4111
		lbs	9060
	Rated Load (CEN EN 474-3 Firm and Level Ground - 80% FTSTL)	kg	5159
		lbs	11370
3	Maximum Overall Length	mm	9473
		in	372.9
4	Reach with Forks at Ground Level	mm	1124
		in	44.2
5	*Ground to Bottom of Tine at Minimum Height and Fork Level	mm	-88
		in	-3.5
6	Reach with Arms Horizontal and Forks Level	mm	1675
		in	66.0
7	Reach with Fork at Maximum Height	mm	903
		in	35.6
8	Ground to Top of Tine with Arms Horizontal and Fork Level	mm	1847
		in	72.7
9	Ground to Top of Tine at Maximum Height and Fork Level	mm	3776
		in	148.7
10	Overall Height of Fork at Full Lift (top of carriage to ground)	mm	4816
		in	189.6
11	Clearance at Full Lift and Max Dump	mm	1723
		in	67.8
12	Max Discharge Angle from Horizontal	deg	55
13	Overall Carriage Width	mm	2528
		in	99.5
14	Overall Carriage Height	mm	1130
		in	44.5
15	Outside Tine Width (max spread)	mm	2178
		in	85.7
16	Outside Tine Width (min spread)	mm	576
		in	22.7
	Tine Width (single tine)	mm	180.0
		in	7.1
	Tine Thickness	mm	90.0
		in	3.5
	Tine Capacity	kg	12700
		lbs	27991
	Operating Weight	kg	18237
		lbs	40195

\*Negative values indicate below grade

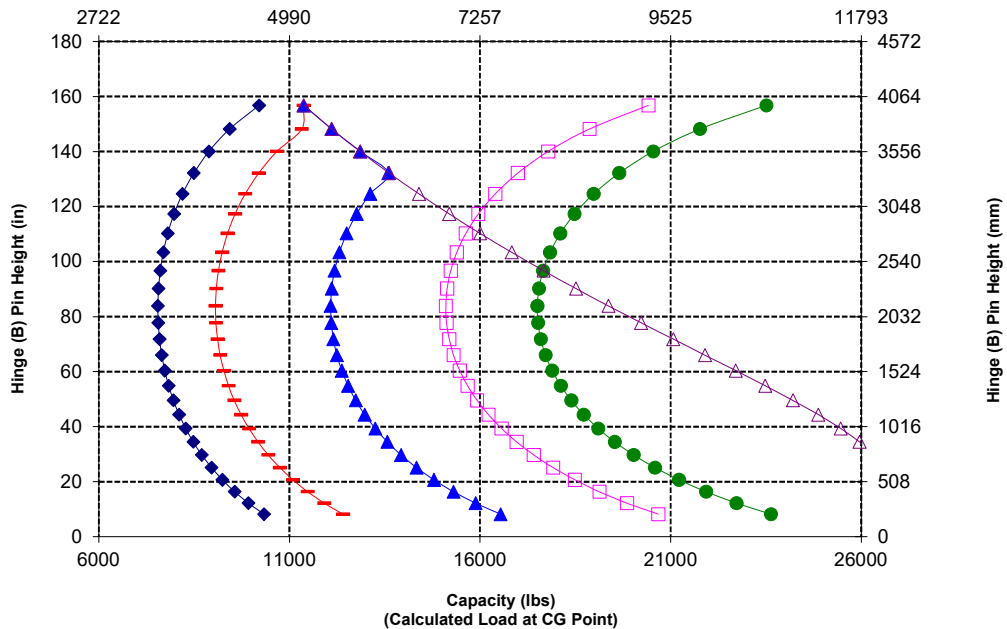
### 950 STD Construction Fork, FUSION

96" Carriage 84" Tine  
520-7957 520-7986

\*Build 14A  
\*Z-Bar Linkage  
\*Standard Lift Configuration



Capacity (kg)  
(Calculated Load at CG Point)



**NOTE:** Static tipping loads and operating weight are based on the following loader configuration: Bridgestone VJT L3 Tires, Air Conditioning, Ride Control, Powertrain Guard, Full Fluids, Fuel Tank, Coolant, Lubricants, and Operator.

Specifications and ratings conform to the following standards: SAE\* J1197, ISO 14397-1, CEN\*\* EN 474-3.

The rated operating load for a loader equipped with a pallet fork is determined by:  
SAE J1197: 50% of full turn static tipping load or hydraulic limit.  
CEN EN 474-3: 60% of full turn static tipping load on rough terrain or hydraulic limit.  
CEN EN 474-3: 80% of full turn static tipping load on firm and level ground or hydraulic limit.

\*SAE - Society of Automotive Engineers

\*\*CEN - European Committee for Standardization



**WARNING:** Do not exceed tine load capacity. Individual tine capacity is stamped on the side of each tine.

# 950 Wheel Loader Specifications

## Fork Specifications

### Fork Specifications

1	Tine Length	mm	2438
		in	96.0
2	Load Center	mm	1219
		in	48.0
	Static Tipping Load - Straight (Forks Level)	kg	7546
		lbs	16632
	Static Tipping Load - Articulated (Forks Level)	kg	6501
		lbs	14329
	Rated Load (SAE J1197 - 50% FTSTL)	kg	3251
		lbs	7165
	Rated Load (CEN EN 474-3 Rough Terrain - 60% FTSTL)	kg	3901
		lbs	8598
	Rated Load (CEN EN 474-3 Firm and Level Ground - 80% FTSTL)	kg	4604
		lbs	10146
3	Maximum Overall Length	mm	9777
		in	384.9
4	Reach with Forks at Ground Level	mm	1124
		in	44.2
5	*Ground to Bottom of Tine at Minimum Height and Fork Level	mm	-88
		in	-3.5
6	Reach with Arms Horizontal and Forks Level	mm	1675
		in	66.0
7	Reach with Fork at Maximum Height	mm	903
		in	35.6
8	Ground to Top of Tine with Arms Horizontal and Fork Level	mm	1847
		in	72.7
9	Ground to Top of Tine at Maximum Height and Fork Level	mm	3776
		in	148.7
10	Overall Height of Fork at Full Lift (top of carriage to ground)	mm	4816
		in	189.6
11	Clearance at Full Lift and Max Dump	mm	1476
		in	58.1
12	Max Discharge Angle from Horizontal	deg	55
13	Overall Carriage Width	mm	2528
		in	99.5
14	Overall Carriage Height	mm	1130
		in	44.5
15	Outside Tine Width (max spread)	mm	2178
		in	85.7
16	Outside Tine Width (min spread)	mm	576
		in	22.7
	Tine Width (single tine)	mm	180.0
		in	7.1
	Tine Thickness	mm	90.0
		in	3.5
	Tine Capacity	kg	11300
		lbs	24905
	Operating Weight	kg	18299
		lbs	40332

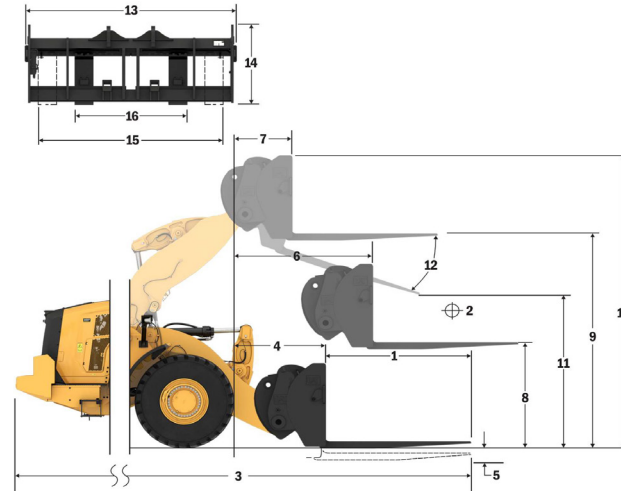
\*Negative values indicate below grade

### 950 STD Construction Fork, FUSION

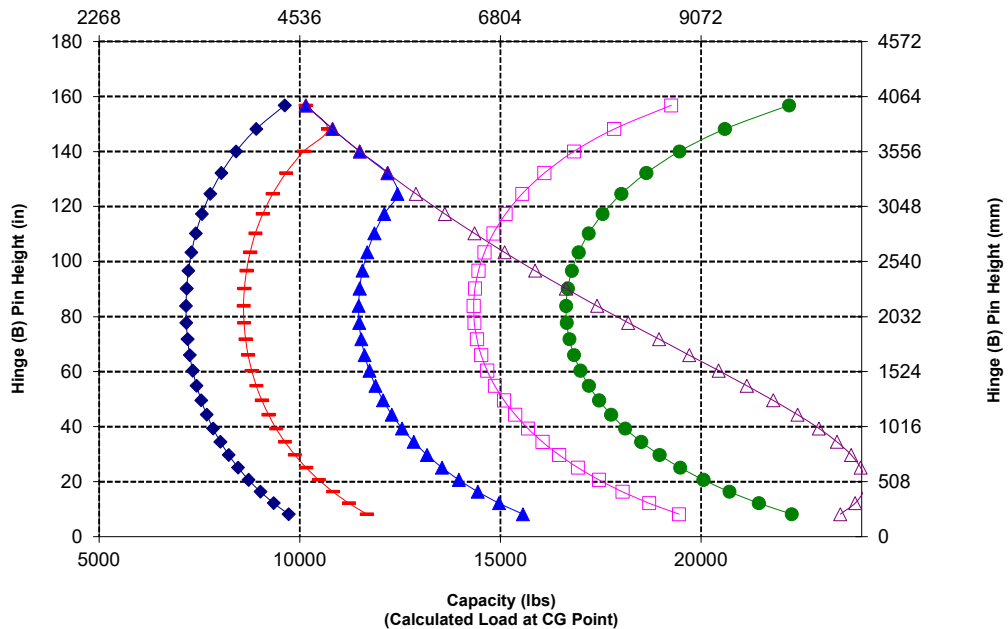
96" Carriage  
520-7957

96" Tine  
520-7981

\*Build 14A  
\*Z-Bar Linkage  
\*Standard Lift Configuration



Capacity (kg)  
(Calculated Load at CG Point)



**NOTE:** Static tipping loads and operating weight are based on the following loader configuration: Bridgestone VJTL3 Tires, Air Conditioning, Ride Control, Powertrain Guard, Full Fluids, Fuel Tank, Coolant, Lubricants, and Operator.

Specifications and ratings conform to the following standards: SAE\* J1197, ISO 14397-1, CEN\*\* EN 474-3.

The rated operating load for a loader equipped with a pallet fork is determined by:  
SAE J1197: 50% of full turn static tipping load or hydraulic limit.  
CEN EN 474-3: 60% of full turn static tipping load on rough terrain or hydraulic limit.  
CEN EN 474-3: 80% of full turn static tipping load on firm and level ground or hydraulic limit.

\*SAE - Society of Automotive Engineers  
\*\*CEN - European Committee for Standardization



**WARNING:** Do not exceed tine load capacity. Individual tine capacity is stamped on the side of each tine.

# 950 Wheel Loader Specifications

## Fork Specifications

### Fork Specifications

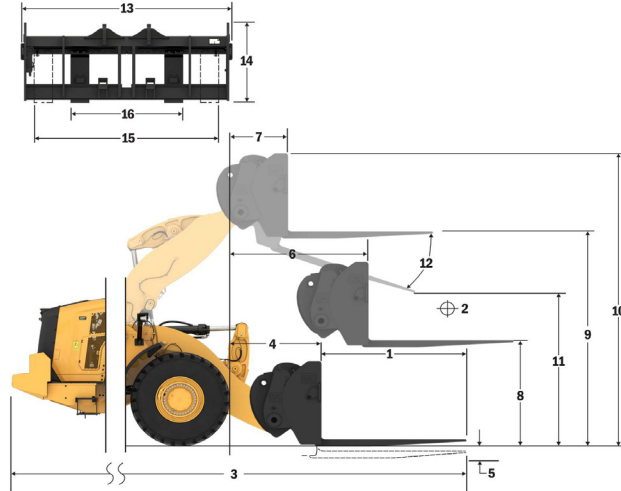
1	Tine Length	mm	1219
		in	48.0
2	Load Center	mm	610
		in	24.0
	Static Tipping Load - Straight (Forks Level)	kg	9285
		lbs	20464
	Static Tipping Load - Articulated (Forks Level)	kg	8037
		lbs	17713
	Rated Load (SAE J1197 - 50% FTSTL)	kg	4018
		lbs	8856
	Rated Load (CEN EN 474-3 Rough Terrain - 60% FTSTL)	kg	4822
		lbs	10628
	Rated Load (CEN EN 474-3 Firm and Level Ground - 80% FTSTL)	kg	6429
		lbs	14170
3	Maximum Overall Length	mm	8558
		in	336.9
4	Reach with Forks at Ground Level	mm	1123
		in	44.2
5	*Ground to Bottom of Tine at Minimum Height and Fork Level	mm	-88
		in	-3.5
6	Reach with Arms Horizontal and Forks Level	mm	1675
		in	65.9
7	Reach with Fork at Maximum Height	mm	903
		in	35.6
8	Ground to Top of Tine with Arms Horizontal and Fork Level	mm	1847
		in	72.7
9	Ground to Top of Tine at Maximum Height and Fork Level	mm	3776
		in	148.7
10	Overall Height of Fork at Full Lift (top of carriage to ground)	mm	4816
		in	189.6
11	Clearance at Full Lift and Max Dump	mm	2468
		in	97.2
12	Max Discharge Angle from Horizontal	deg	55
13	Overall Carriage Width	mm	2833
		in	111.5
14	Overall Carriage Height	mm	1130
		in	44.5
15	Outside Tine Width (max spread)	mm	2493
		in	98.1
16	Outside Tine Width (min spread)	mm	590
		in	23.2
	Tine Width (single tine)	mm	180.0
		in	7.1
	Tine Thickness	mm	90.0
		in	3.5
	Tine Capacity	kg	22200
		lbs	48929
	Operating Weight	kg	18100
		lbs	39893

\*Negative values indicate below grade

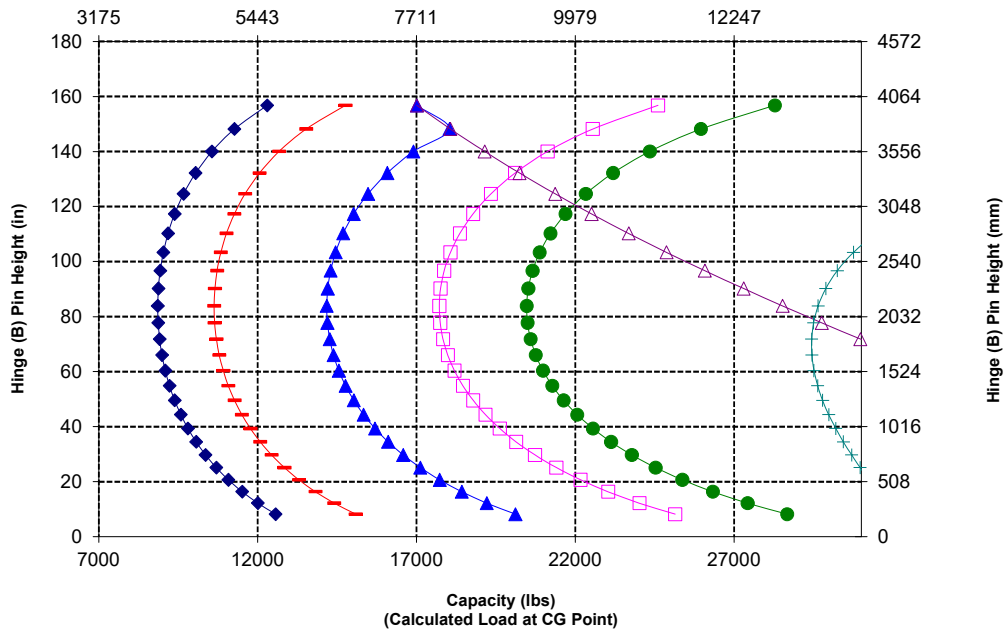
### 950 STD Construction Fork, FUSION

108" Carriage 48" Tine  
520-7968 520-7985

\*Build 14A  
\*Z-Bar Linkage  
\*Standard Lift Configuration



Capacity (kg)  
(Calculated Load at CG Point)



**WARNING:** Do not exceed tine load capacity. Individual tine capacity is stamped on the side of each tine.

# 950 Wheel Loader Specifications

## Fork Specifications

### Fork Specifications

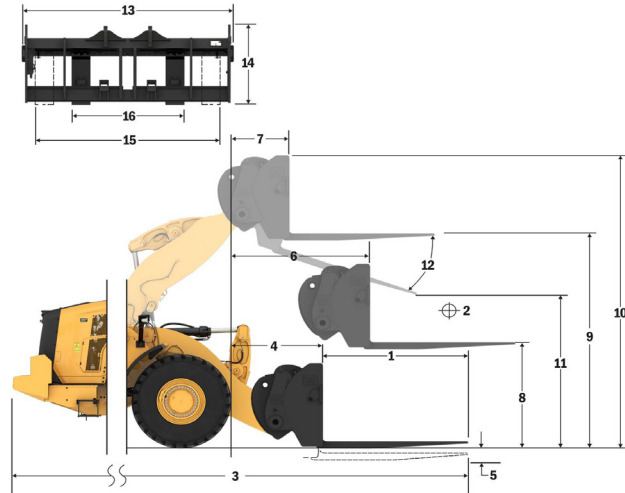
1	Tine Length	mm	1524
		in	60.0
2	Load Center	mm	762
		in	30.0
	Static Tipping Load - Straight (Forks Level)	kg	8790
		lbs	19372
	Static Tipping Load - Articulated (Forks Level)	kg	7599
		lbs	16748
	Rated Load (SAE J1197 - 50% FTSTL)	kg	3800
		lbs	8374
	Rated Load (CEN EN 474-3 Rough Terrain - 60% FTSTL)	kg	4559
		lbs	10049
	Rated Load (CEN EN 474-3 Firm and Level Ground - 80% FTSTL)	kg	6079
		lbs	13399
3	Maximum Overall Length	mm	8863
		in	348.9
4	Reach with Forks at Ground Level	mm	1124
		in	44.2
5	*Ground to Bottom of Tine at Minimum Height and Fork Level	mm	-88
		in	-3.5
6	Reach with Arms Horizontal and Forks Level	mm	1675
		in	66.0
7	Reach with Fork at Maximum Height	mm	903
		in	35.6
8	Ground to Top of Tine with Arms Horizontal and Fork Level	mm	1847
		in	72.7
9	Ground to Top of Tine at Maximum Height and Fork Level	mm	3776
		in	148.7
10	Overall Height of Fork at Full Lift (top of carriage to ground)	mm	4816
		in	189.6
11	Clearance at Full Lift and Max Dump	mm	2220
		in	87.4
12	Max Discharge Angle from Horizontal	deg	55
13	Overall Carriage Width	mm	2833
		in	111.5
14	Overall Carriage Height	mm	1130
		in	44.5
15	Outside Tine Width (max spread)	mm	2483
		in	97.8
16	Outside Tine Width (min spread)	mm	590
		in	23.2
	Tine Width (single tine)	mm	180.0
		in	7.1
	Tine Thickness	mm	90.0
		in	3.5
	Tine Capacity	kg	17800
		lbs	39231
	Operating Weight	kg	18162
		lbs	40030

\*Negative values indicate below grade

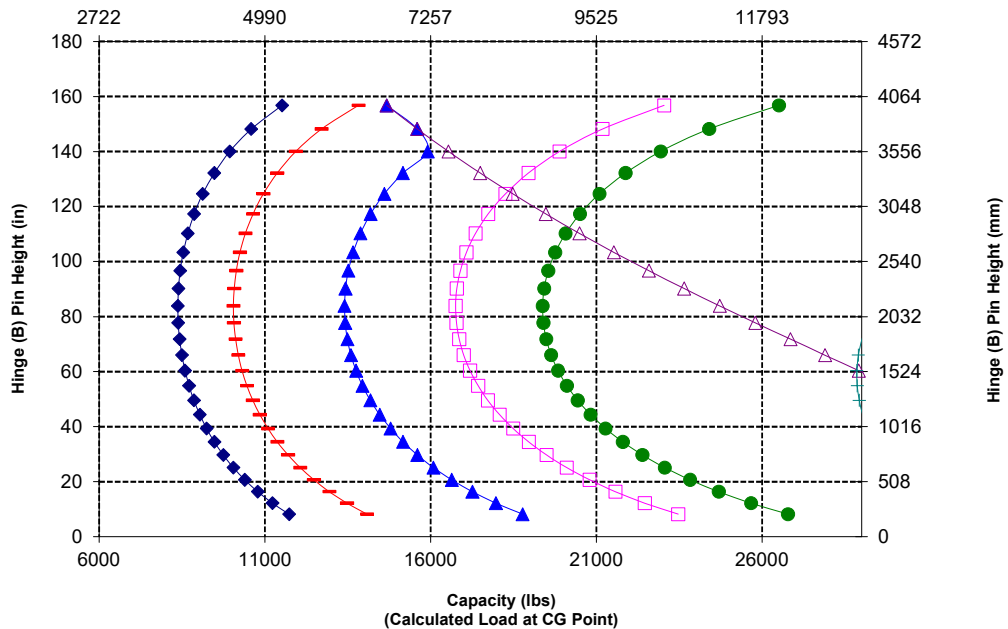
### 950 STD Construction Fork, FUSION

108" Carriage 60" Tine  
520-7968 520-7980

\*Build 14A  
\*Z-Bar Linkage  
\*Standard Lift Configuration



Capacity (kg)  
(Calculated Load at CG Point)



**WARNING:** Do not exceed tine load capacity. Individual tine capacity is stamped on the side of each tine.

# 950 Wheel Loader Specifications

## Fork Specifications

### Fork Specifications

1	Tine Length	mm	1829
		in	72.0
2	Load Center	mm	915
		in	36.0
	Static Tipping Load - Straight (Forks Level)	kg	8332
		lbs	18363
	Static Tipping Load - Articulated (Forks Level)	kg	7194
		lbs	15856
	Rated Load (SAE J1197 - 50% FTSTL)	kg	3597
		lbs	7928
	Rated Load (CEN EN 474-3 Rough Terrain - 60% FTSTL)	kg	4317
		lbs	9514
	Rated Load (CEN EN 474-3 Firm and Level Ground - 80% FTSTL)	kg	5755
		lbs	12685
3	Maximum Overall Length	mm	9168
		in	360.9
4	Reach with Forks at Ground Level	mm	1124
		in	44.2
5	*Ground to Bottom of Tine at Minimum Height and Fork Level	mm	-88
		in	-3.5
6	Reach with Arms Horizontal and Forks Level	mm	1675
		in	66.0
7	Reach with Fork at Maximum Height	mm	903
		in	35.6
8	Ground to Top of Tine with Arms Horizontal and Fork Level	mm	1847
		in	72.7
9	Ground to Top of Tine at Maximum Height and Fork Level	mm	3776
		in	148.7
10	Overall Height of Fork at Full Lift (top of carriage to ground)	mm	4816
		in	189.6
11	Clearance at Full Lift and Max Dump	mm	1972
		in	77.6
12	Max Discharge Angle from Horizontal	deg	55
13	Overall Carriage Width	mm	2833
		in	111.5
14	Overall Carriage Height	mm	1130
		in	44.5
15	Outside Tine Width (max spread)	mm	2483
		in	97.8
16	Outside Tine Width (min spread)	mm	590
		in	23.2
	Tine Width (single tine)	mm	180.0
		in	7.1
	Tine Thickness	mm	90.0
		in	3.5
	Tine Capacity	kg	14800
		lbs	32619
	Operating Weight	kg	18224
		lbs	40166

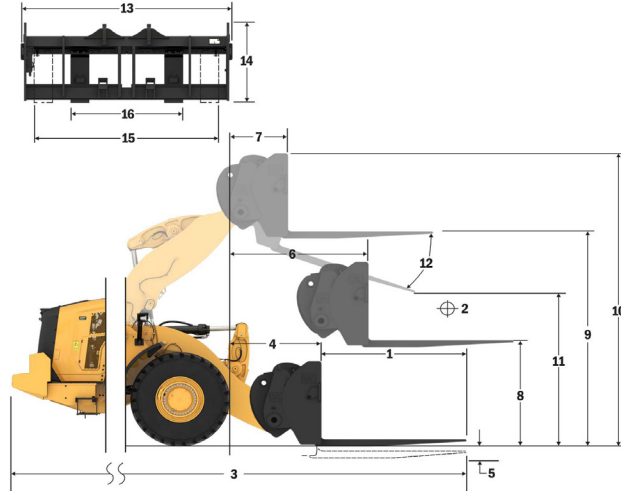
\*Negative values indicate below grade

### 950 STD Construction Fork, FUSION

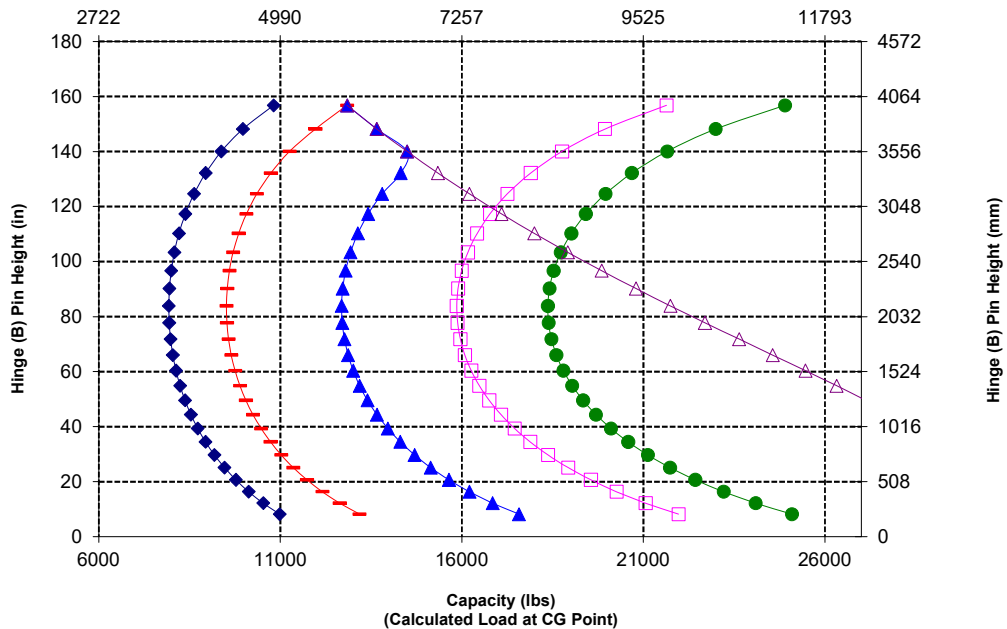
108" Carriage  
520-7968

72" Tine  
520-7979

\*Build 14A  
\*Z-Bar Linkage  
\*Standard Lift Configuration



Capacity (kg)  
(Calculated Load at CG Point)



**WARNING:** Do not exceed tine load capacity. Individual tine capacity is stamped on the side of each tine.



# 950 Wheel Loader Specifications

## Fork Specifications

### Fork Specifications

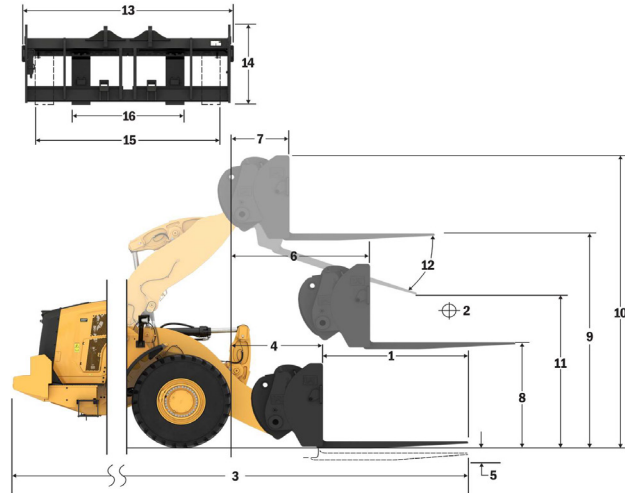
1	Tine Length	mm	2134
		in	84.0
2	Load Center	mm	1067
		in	42.0
	Static Tipping Load - Straight (Forks Level)	kg	7908
		lbs	17430
	Static Tipping Load - Articulated (Forks Level)	kg	6819
		lbs	15029
	Rated Load (SAE J1197 - 50% FTSTL)	kg	3410
		lbs	7515
	Rated Load (CEN EN 474-3 Rough Terrain - 60% FTSTL)	kg	4091
		lbs	9018
	Rated Load (CEN EN 474-3 Firm and Level Ground - 80% FTSTL)	kg	5152
		lbs	11355
3	Maximum Overall Length	mm	9473
		in	372.9
4	Reach with Forks at Ground Level	mm	1124
		in	44.2
5	*Ground to Bottom of Tine at Minimum Height and Fork Level	mm	-88
		in	-3.5
6	Reach with Arms Horizontal and Forks Level	mm	1675
		in	66.0
7	Reach with Fork at Maximum Height	mm	903
		in	35.6
8	Ground to Top of Tine with Arms Horizontal and Fork Level	mm	1847
		in	72.7
9	Ground to Top of Tine at Maximum Height and Fork Level	mm	3776
		in	148.7
10	Overall Height of Fork at Full Lift (top of carriage to ground)	mm	4816
		in	189.6
11	Clearance at Full Lift and Max Dump	mm	1723
		in	67.8
12	Max Discharge Angle from Horizontal	deg	55
13	Overall Carriage Width	mm	2833
		in	111.5
14	Overall Carriage Height	mm	1130
		in	44.5
15	Outside Tine Width (max spread)	mm	2483
		in	97.8
16	Outside Tine Width (min spread)	mm	590
		in	23.2
	Tine Width (single tine)	mm	180.0
		in	7.1
	Tine Thickness	mm	90.0
		in	3.5
	Tine Capacity	kg	12700
		lbs	27991
	Operating Weight	kg	18286
		lbs	40303

\*Negative values indicate below grade

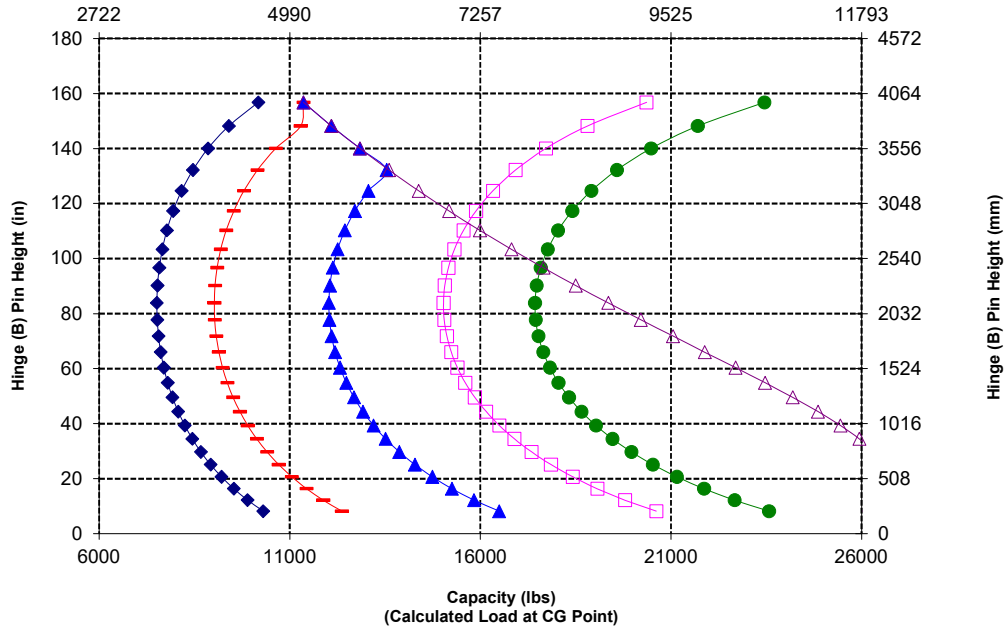
### 950 STD Construction Fork, FUSION

108" Carriage 84" Tine  
520-7968 520-7986

\*Build 14A  
\*Z-Bar Linkage  
\*Standard Lift Configuration



Capacity (kg)  
(Calculated Load at CG Point)



**NOTE:** Static tipping loads and operating weight are based on the following loader configuration: Bridgestone VJTL3 Tires, Air Conditioning, Ride Control, Powertrain Guard, Full Fluids, Fuel Tank, Coolant, Lubricants, and Operator.

Specifications and ratings conform to the following standards: SAE\* J1197, ISO 14397-1, CEN\*\* EN 474-3.

The rated operating load for a loader equipped with a pallet fork is determined by:  
SAE J1197: 50% of full turn static tipping load or hydraulic limit.  
CEN EN 474-3: 60% of full turn static tipping load on rough terrain or hydraulic limit.  
CEN EN 474-3: 80% of full turn static tipping load on firm and level ground or hydraulic limit.

\*SAE - Society of Automotive Engineers  
\*\*CEN - European Committee for Standardization



**WARNING:** Do not exceed tine load capacity. Individual tine capacity is stamped on the side of each tine.

# 950 Wheel Loader Specifications

## Fork Specifications

### Fork Specifications

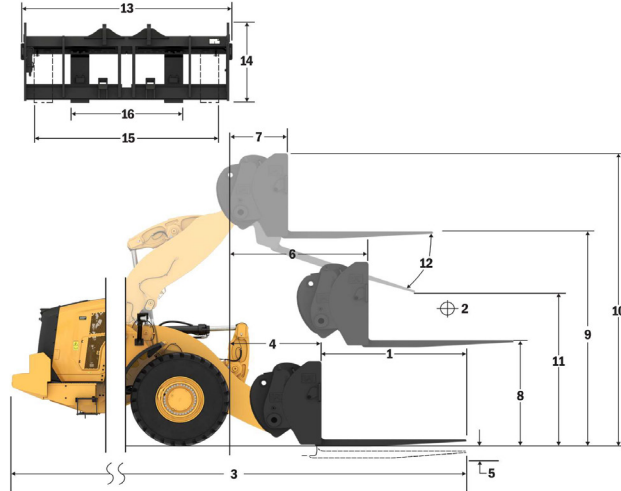
1	Tine Length	mm	2438
		in	96.0
2	Load Center	mm	1219
		in	48.0
	Static Tipping Load - Straight (Forks Level)	kg	7515
		lbs	16563
	Static Tipping Load - Articulated (Forks Level)	kg	6470
		lbs	14260
	Rated Load (SAE J1197 - 50% FTSTL)	kg	3235
		lbs	7130
	Rated Load (CEN EN 474-3 Rough Terrain - 60% FTSTL)	kg	3882
		lbs	8556
	Rated Load (CEN EN 474-3 Firm and Level Ground - 80% FTSTL)	kg	4597
		lbs	10132
3	Maximum Overall Length	mm	9777
		in	384.9
4	Reach with Forks at Ground Level	mm	1124
		in	44.2
5	*Ground to Bottom of Tine at Minimum Height and Fork Level	mm	-88
		in	-3.5
6	Reach with Arms Horizontal and Forks Level	mm	1675
		in	66.0
7	Reach with Fork at Maximum Height	mm	903
		in	35.6
8	Ground to Top of Tine with Arms Horizontal and Fork Level	mm	1847
		in	72.7
9	Ground to Top of Tine at Maximum Height and Fork Level	mm	3776
		in	148.7
10	Overall Height of Fork at Full Lift (top of carriage to ground)	mm	4816
		in	189.6
11	Clearance at Full Lift and Max Dump	mm	1476
		in	58.1
12	Max Discharge Angle from Horizontal	deg	55
13	Overall Carriage Width	mm	2833
		in	111.5
14	Overall Carriage Height	mm	1130
		in	44.5
15	Outside Tine Width (max spread)	mm	2483
		in	97.8
16	Outside Tine Width (min spread)	mm	590
		in	23.2
	Tine Width (single tine)	mm	180.0
		in	7.1
	Tine Thickness	mm	90.0
		in	3.5
	Tine Capacity	kg	11300
		lbs	24905
	Operating Weight	kg	18349
		lbs	40442

\*Negative values indicate below grade

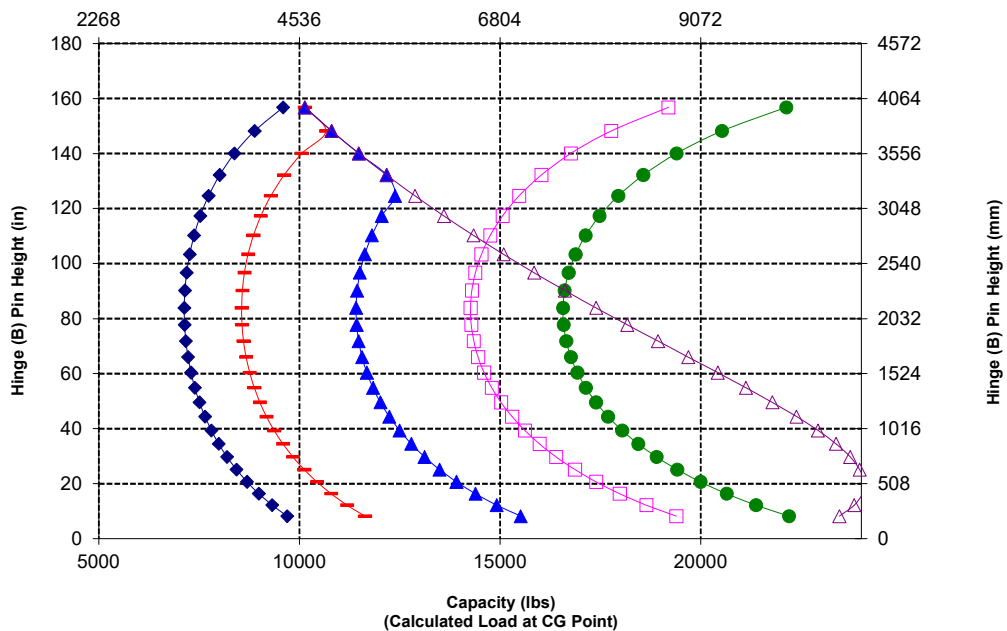
### 950 STD Construction Fork, FUSION

108" Carriage 96" Tine  
520-7968 520-7981

\*Build 14A  
\*Z-Bar Linkage  
\*Standard Lift Configuration



Capacity (kg)  
(Calculated Load at CG Point)



**WARNING:** Do not exceed tine load capacity. Individual tine capacity is stamped on the side of each tine.

# 950 Wheel Loader Specifications

## Material Handling Specifications

**950 STD**

289-9885

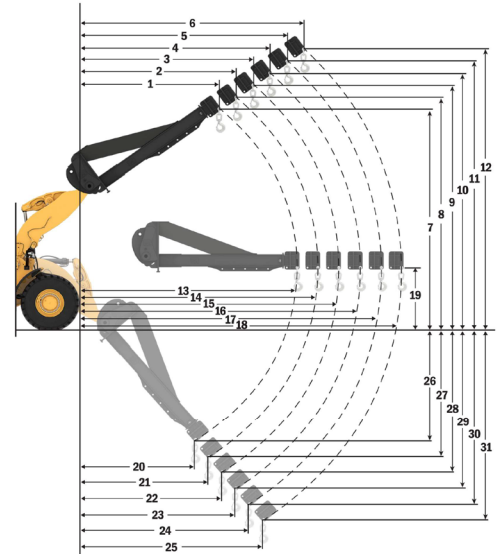
Material Handling Arm, FUSION

6 Position

\*Build 14A  
\*Z-Bar Linkage  
\*Standard Lift Configuration

**MHA Specifications**

	Retracted	Extension 1	Extension 2	Extension 3	Extension 4	Extended
Max Lift - Hook Eyelet Reach (1, 2, 3, 4, 5, 6)	mm 2,103	2,234	2,365	2,495	2,626	2,757
	ft. in 6' 10"	7' 3"	7' 9"	8' 2"	8' 7"	9' 0"
Max Lift - Hook Eyelet Height (7, 8, 9, 10, 11, 12)	mm 6,854	7,129	7,405	7,680	7,955	8,231
	ft. in 22' 5"	23' 4"	24' 3"	25' 2"	26' 1"	27' 0"
Level - Hook Eyelet Reach (13, 14, 15, 16, 17, 18)	mm 4,540	4,845	5,150	5,454	5,759	6,064
	ft. in 14' 10"	15' 10"	16' 10"	17' 10"	18' 10"	19' 10"
Level - Hook Eyelet Height (19)	mm 1,813	1,813	1,813	1,813	1,813	1,813
	ft. in 5' 11.3"	5' 11.3"	5' 11.3"	5' 11.3"	5' 11.3"	5' 11.3"
Min Lift - Hook Eyelet Reach (20, 21, 22, 23, 24, 25)	mm 1,315	1,407	1,499	1,591	1,683	1,774
	ft. in 4' 3"	4' 7"	4' 11"	5' 2"	5' 6"	5' 9"
Min Lift - Hook Eyelet Height (26, 27, 28, 29, 30, 31)	mm (3,004)	(3,295)	(3,585)	(3,876)	(4,167)	(4,457)
	ft. in -9' 1"	-10' 2"	-11' 2"	-12' 3"	-13' 3"	-14' 4"
Static Tipping Load, Straight	kg 5,587	5,278	5,001	4,750	4,523	4,316
	lb 12,313	11,633	11,022	10,470	9,969	9,512
Static Tipping Load, Articulated	kg 4,866	4,596	4,354	4,135	3,936	3,755
	lb 10,724	10,129	9,595	9,113	8,675	8,275
Operating Weight	kg 17,496	17,496	17,496	17,496	17,496	17,496
	lb 38,562	38,562	38,562	38,562	38,562	38,562



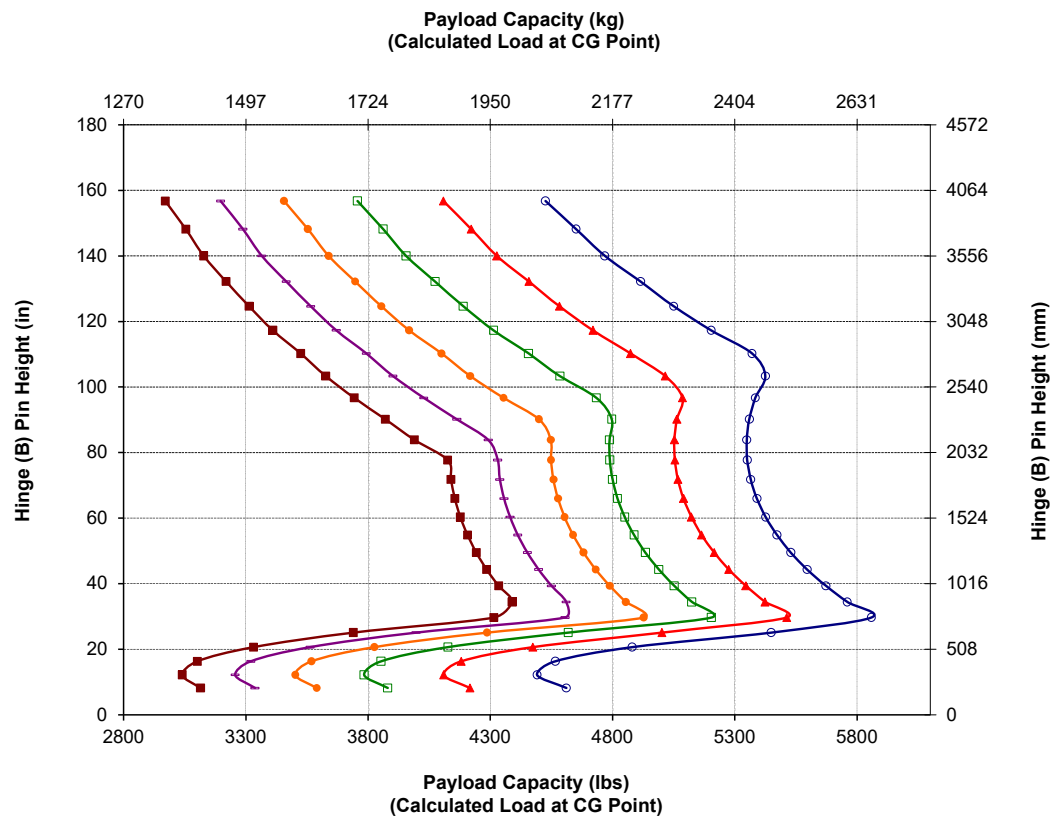
- Retracted
- Extension 1
- Extension 2
- Extension 3
- Extension 4
- Extended

**NOTE:** Static tipping loads and operating weight are based on the following loader configuration: Bridgestone VJT L3 Tires, Air Conditioning, Ride Control, Powertrain Guard, Full Fluids, Fuel Tank, Coolant, Lubricants, and Operator.

Specifications and ratings conform to the following standards: SAE\* J1197, ISO 14397-1

The rated operating load for a loader equipped with a material handling arm is determined by:  
SAE J1197: 50% of full turn static tipping load or hydraulic limit.

\*SAE - Society of Automotive Engineers



# 950 Wheel Loader Specifications

## Fork Specifications

### Fork Specifications

1	Tine Length	mm	1524
		in	60.0
2	Load Center	mm	762
		in	30.0
	Static Tipping Load - Straight (Forks Level)	kg	8421
		lbs	18560
	Static Tipping Load - Articulated (Forks Level)	kg	7246
		lbs	15971
	Rated Load (SAE J1197 - 50% FTSTL)	kg	3623
		lbs	7985
	Rated Load (CEN EN 474-3 Rough Terrain - 60% FTSTL)	kg	4348
		lbs	9583
	Rated Load (CEN EN 474-3 Firm and Level Ground - 80% FTSTL)	kg	5797
		lbs	12777
3	Maximum Overall Length	mm	9403
		in	370.2
4	Reach with Forks at Ground Level	mm	1652
		in	65.0
5	*Ground to Bottom of Tine at Minimum Height and Fork Level	mm	-189
		in	-7.4
6	Reach with Arms Horizontal and Forks Level	mm	2088
		in	82.2
7	Reach with Fork at Maximum Height	mm	978
		in	38.5
8	Ground to Top of Tine with Arms Horizontal and Fork Level	mm	1743
		in	68.6
9	Ground to Top of Tine at Maximum Height and Fork Level	mm	4167
		in	164.0
10	Overall Height of Fork at Full Lift (top of carriage to ground)	mm	4942
		in	194.6
11	Clearance at Full Lift and Max Dump	mm	2825
		in	111.2
12	Max Discharge Angle from Horizontal	deg	45
13	Overall Carriage Width	mm	2217
		in	87.3
14	Overall Carriage Height	mm	840
		in	33.1
15	Outside Tine Width (max spread)	mm	2070
		in	81.5
16	Outside Tine Width (min spread)	mm	470
		in	18.5
	Tine Width (single tine)	mm	150.0
		in	5.9
	Tine Thickness	mm	65.0
		in	2.6
	Tine Capacity	kg	6300
		lbs	13885
	Operating Weight	kg	18825
		lbs	41491

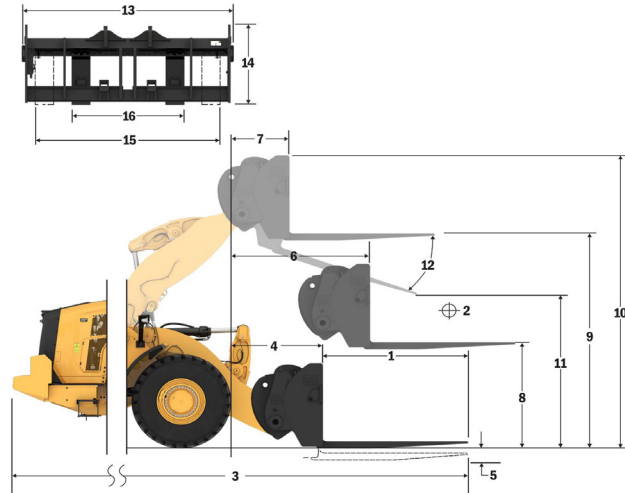
\*Negative values indicate below grade

### 950 HL Pallet Fork, FUSION

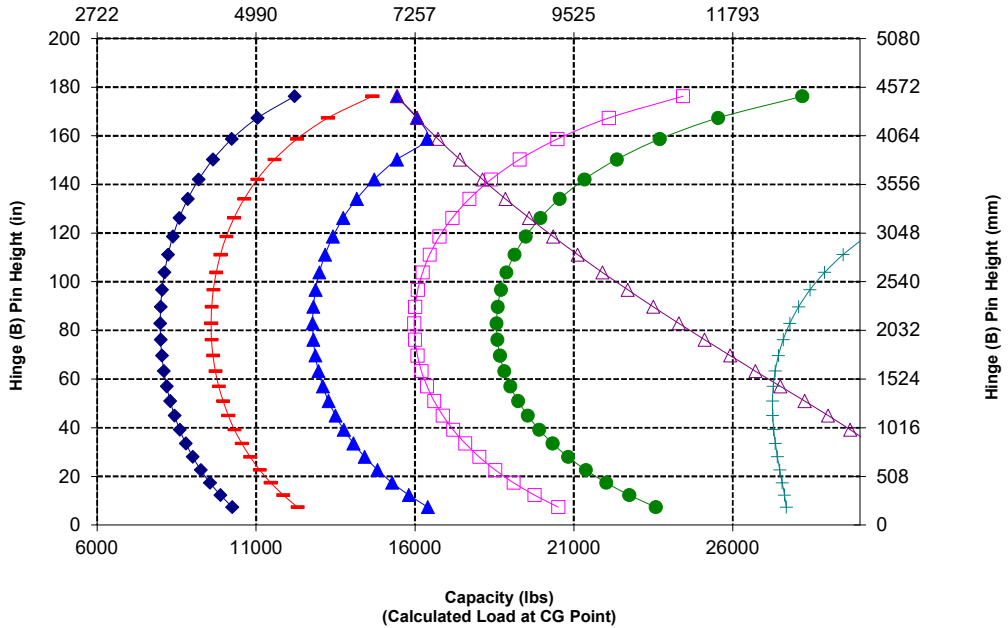
87" Carriage  
530-1861

60" Tine  
548-3265

\*Build 14A  
\*Z-Bar Linkage  
\*High Lift Configuration



Capacity (kg)  
(Calculated Load at CG Point)



**NOTE:** Static tipping loads and operating weight are based on the following loader configuration: Bridgestone VJTL3 Tires, Air Conditioning, Ride Control, Powertrain Guard, Full Fluids, Fuel Tank, Coolant, Lubricants, and Operator.

Specifications and ratings conform to the following standards: SAE\* J1197, ISO 14397-1, CEN\*\* EN 474-3.

The rated operating load for a loader equipped with a pallet fork is determined by:  
SAE J1197: 50% of full turn static tipping load or hydraulic limit.  
CEN EN 474-3: 60% of full turn static tipping load on rough terrain or hydraulic limit.  
CEN EN 474-3: 80% of full turn static tipping load on firm and level ground or hydraulic limit.

\*SAE - Society of Automotive Engineers  
\*\*CEN - European Committee for Standardization



**WARNING:** Do not exceed tine load capacity. Individual tine capacity is stamped on the side of each tine.

# 950 Wheel Loader Specifications

## Fork Specifications

### Fork Specifications

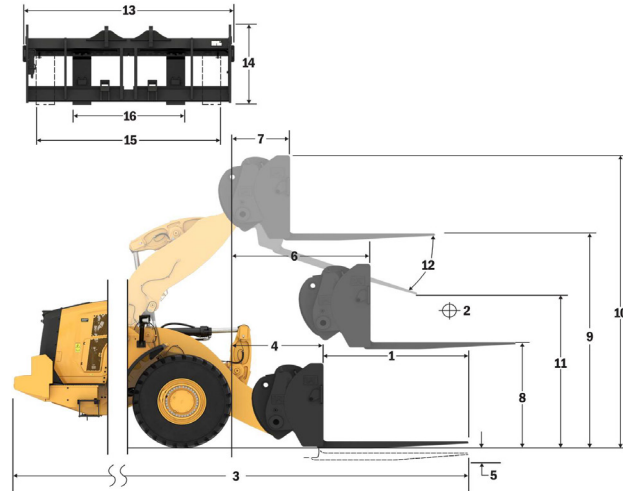
1	Tine Length	mm	1830
		in	72.0
2	Load Center	mm	915
		in	36.0
	Static Tipping Load - Straight (Forks Level)	kg	8037
		lbs	17714
	Static Tipping Load - Articulated (Forks Level)	kg	6909
		lbs	15228
	Rated Load (SAE J1197 - 50% FTSTL)	kg	3455
		lbs	7614
	Rated Load (CEN EN 474-3 Rough Terrain - 60% FTSTL)	kg	4146
		lbs	9137
	Rated Load (CEN EN 474-3 Firm and Level Ground - 80% FTSTL)	kg	5528
		lbs	12183
3	Maximum Overall Length	mm	9709
		in	382.3
4	Reach with Forks at Ground Level	mm	1652
		in	65.0
5	*Ground to Bottom of Tine at Minimum Height and Fork Level	mm	-189
		in	-7.4
6	Reach with Arms Horizontal and Forks Level	mm	2088
		in	82.2
7	Reach with Fork at Maximum Height	mm	978
		in	38.5
8	Ground to Top of Tine with Arms Horizontal and Fork Level	mm	1743
		in	68.6
9	Ground to Top of Tine at Maximum Height and Fork Level	mm	4167
		in	164.0
10	Overall Height of Fork at Full Lift (top of carriage to ground)	mm	4942
		in	194.6
11	Clearance at Full Lift and Max Dump	mm	2609
		in	102.7
12	Max Discharge Angle from Horizontal	deg	45
13	Overall Carriage Width	mm	2217
		in	87.3
14	Overall Carriage Height	mm	840
		in	33.1
15	Outside Tine Width (max spread)	mm	2070
		in	81.5
16	Outside Tine Width (min spread)	mm	470
		in	18.5
	Tine Width (single tine)	mm	150.0
		in	5.9
	Tine Thickness	mm	65.0
		in	2.6
	Tine Capacity	kg	5246
		lbs	11562
	Operating Weight	kg	18872
		lbs	41594

\*Negative values indicate below grade

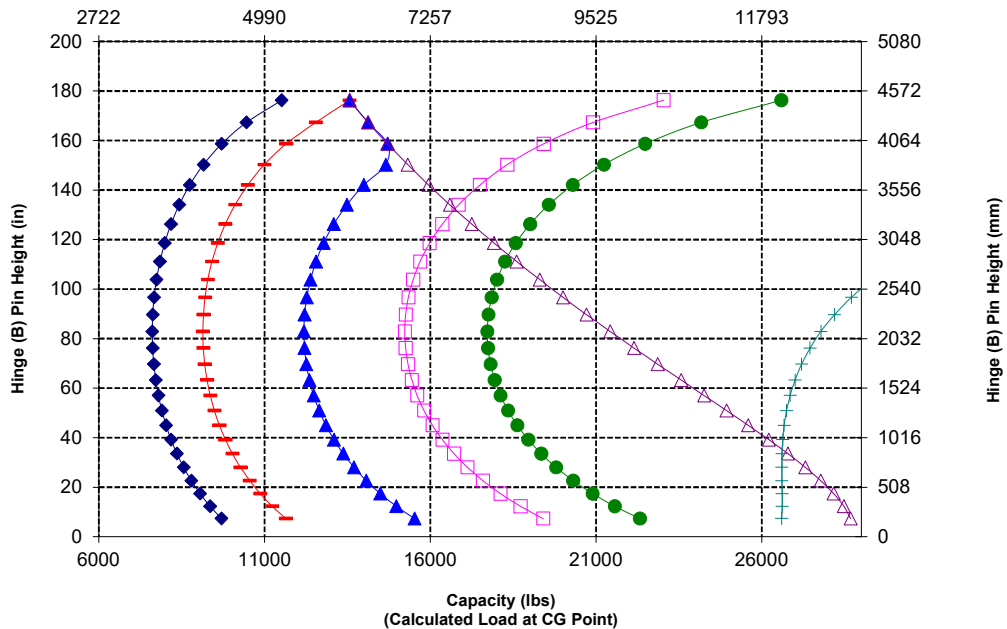
### 950 HL Pallet Fork, FUSION

87" Carriage 72" Tine  
530-1861 530-1869

\*Build 14A  
\*Z-Bar Linkage  
\*High Lift Configuration



Capacity (kg)  
(Calculated Load at CG Point)



**WARNING:** Do not exceed tine load capacity. Individual tine capacity is stamped on the side of each tine.

# 950 Wheel Loader Specifications

## Fork Specifications

### Fork Specifications

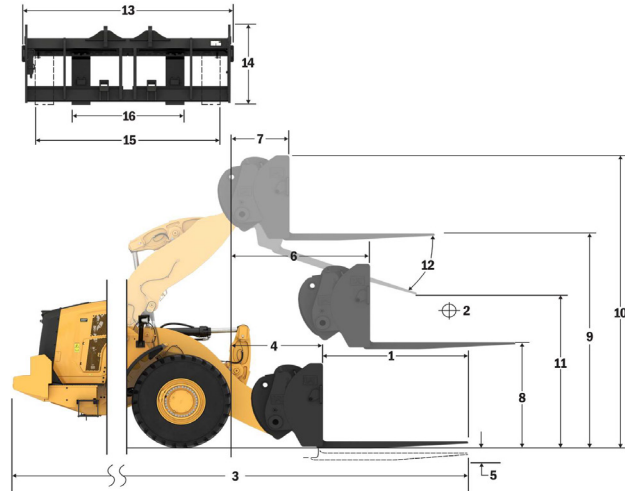
1	Tine Length	mm	1219
		in	48.0
2	Load Center	mm	610
		in	24.0
	Static Tipping Load - Straight (Forks Level)	kg	8559
		lbs	18865
	Static Tipping Load - Articulated (Forks Level)	kg	7332
		lbs	16159
	Rated Load (SAE J1197 - 50% FTSTL)	kg	3666
		lbs	8080
	Rated Load (CEN EN 474-3 Rough Terrain - 60% FTSTL)	kg	4399
		lbs	9695
	Rated Load (CEN EN 474-3 Firm and Level Ground - 80% FTSTL)	kg	5865
		lbs	12927
3	Maximum Overall Length	mm	9059
		in	356.6
4	Reach with Forks at Ground Level	mm	1613
		in	63.5
5	*Ground to Bottom of Tine at Minimum Height and Fork Level	mm	-109
		in	-4.3
6	Reach with Arms Horizontal and Forks Level	mm	2081
		in	81.9
7	Reach with Fork at Maximum Height	mm	971
		in	38.2
8	Ground to Top of Tine with Arms Horizontal and Fork Level	mm	1847
		in	72.7
9	Ground to Top of Tine at Maximum Height and Fork Level	mm	4271
		in	168.2
10	Overall Height of Fork at Full Lift (top of carriage to ground)	mm	5311
		in	209.1
11	Clearance at Full Lift and Max Dump	mm	3006
		in	118.3
12	Max Discharge Angle from Horizontal	deg	51
13	Overall Carriage Width	mm	2528
		in	99.5
14	Overall Carriage Height	mm	1130
		in	44.5
15	Outside Tine Width (max spread)	mm	2178
		in	85.7
16	Outside Tine Width (min spread)	mm	576
		in	22.7
	Tine Width (single tine)	mm	180.0
		in	7.1
	Tine Thickness	mm	90.0
		in	3.5
	Tine Capacity	kg	22200
		lbs	48929
	Operating Weight	kg	19134
		lbs	42172

\*Negative values indicate below grade

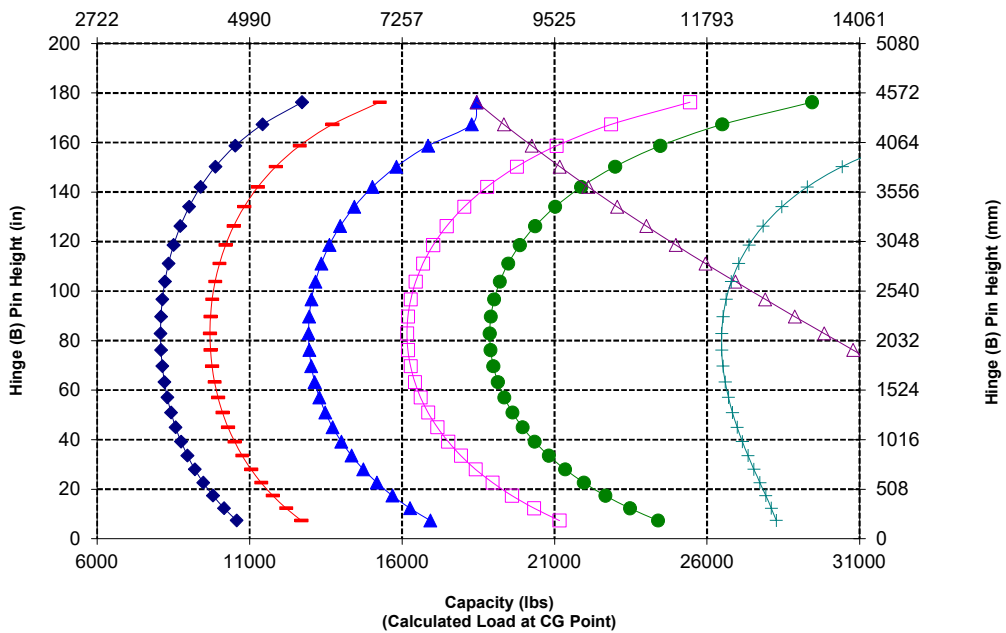
### 950 HL Construction Fork, FUSION 96" Carriage 48" Tine

520-7957 520-7985

\*Build 14A  
\*Z-Bar Linkage  
\*High Lift Configuration



Capacity (kg)  
(Calculated Load at CG Point)



**NOTE:** Static tipping loads and operating weight are based on the following loader configuration: Bridgestone VJTL3 Tires, Air Conditioning, Ride Control, Powertrain Guard, Full Fluids, Fuel Tank, Coolant, Lubricants, and Operator.

Specifications and ratings conform to the following standards: SAE\* J1197, ISO 14397-1, CEN\*\* EN 474-3.

The rated operating load for a loader equipped with a pallet fork is determined by:  
SAE J1197: 50% of full turn static tipping load or hydraulic limit.  
CEN EN 474-3: 60% of full turn static tipping load on rough terrain or hydraulic limit.  
CEN EN 474-3: 80% of full turn static tipping load on firm and level ground or hydraulic limit.

\*SAE - Society of Automotive Engineers  
\*\*CEN - European Committee for Standardization



**WARNING:** Do not exceed tine load capacity. Individual tine capacity is stamped on the side of each tine.

# 950 Wheel Loader Specifications

## Fork Specifications

### Fork Specifications

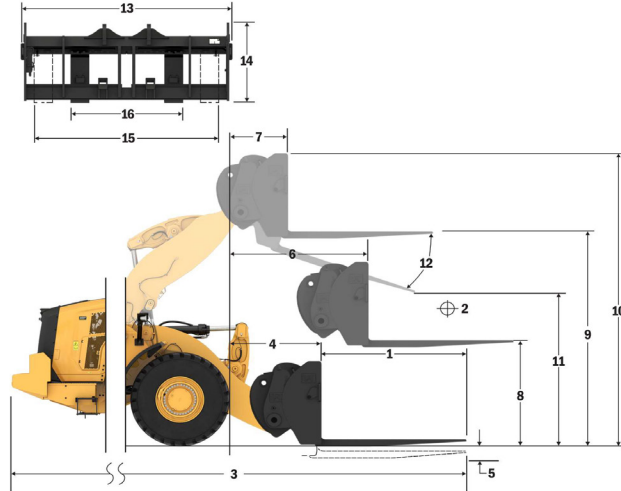
1	Tine Length	mm	1524
		in	60.0
2	Load Center	mm	762
		in	30.0
	Static Tipping Load - Straight (Forks Level)	kg	8137
		lbs	17935
	Static Tipping Load - Articulated (Forks Level)	kg	6960
		lbs	15340
	Rated Load (SAE J1197 - 50% FTSTL)	kg	3480
		lbs	7670
	Rated Load (CEN EN 474-3 Rough Terrain - 60% FTSTL)	kg	4176
		lbs	9204
	Rated Load (CEN EN 474-3 Firm and Level Ground - 80% FTSTL)	kg	5568
		lbs	12272
3	Maximum Overall Length	mm	9364
		in	368.7
4	Reach with Forks at Ground Level	mm	1613
		in	63.5
5	*Ground to Bottom of Tine at Minimum Height and Fork Level	mm	-109
		in	-4.3
6	Reach with Arms Horizontal and Forks Level	mm	2081
		in	81.9
7	Reach with Fork at Maximum Height	mm	971
		in	38.2
8	Ground to Top of Tine with Arms Horizontal and Fork Level	mm	1847
		in	72.7
9	Ground to Top of Tine at Maximum Height and Fork Level	mm	4271
		in	168.2
10	Overall Height of Fork at Full Lift (top of carriage to ground)	mm	5311
		in	209.1
11	Clearance at Full Lift and Max Dump	mm	2768
		in	109.0
12	Max Discharge Angle from Horizontal	deg	51
13	Overall Carriage Width	mm	2528
		in	99.5
14	Overall Carriage Height	mm	1130
		in	44.5
15	Outside Tine Width (max spread)	mm	2178
		in	85.7
16	Outside Tine Width (min spread)	mm	576
		in	22.7
	Tine Width (single tine)	mm	180.0
		in	7.1
	Tine Thickness	mm	90.0
		in	3.5
	Tine Capacity	kg	17800
		lbs	39231
	Operating Weight	kg	19200
		lbs	42317

\*Negative values indicate below grade

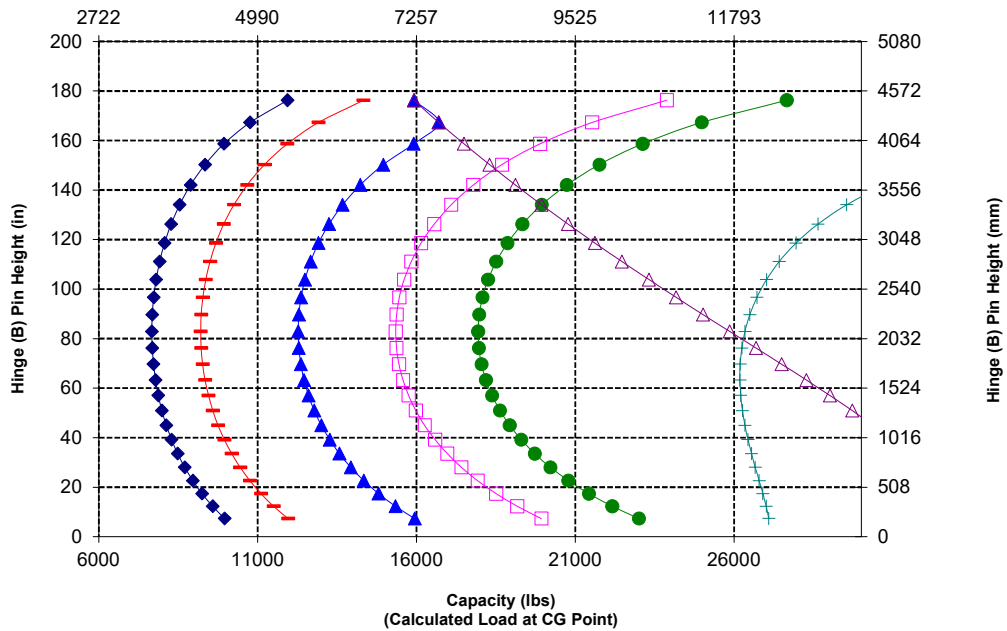
### 950 HL Construction Fork, FUSION

96" Carriage 60" Tine  
520-7957 520-7980

\*Build 14A  
\*Z-Bar Linkage  
\*High Lift Configuration



Capacity (kg)  
(Calculated Load at CG Point)



**WARNING:** Do not exceed tine load capacity. Individual tine capacity is stamped on the side of each tine.

# 950 Wheel Loader Specifications

## Fork Specifications

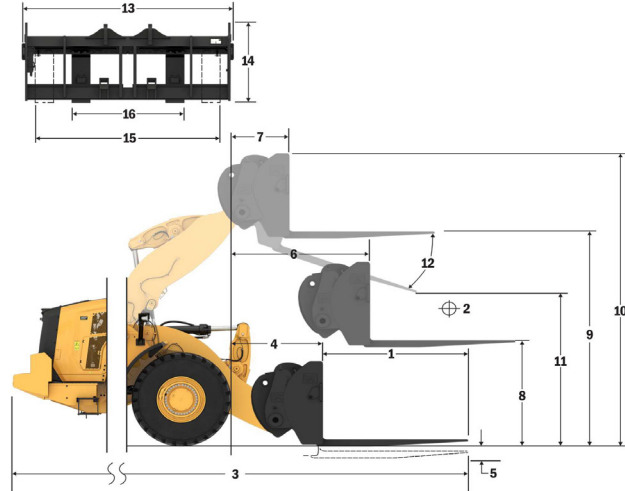
### Fork Specifications

1	Tine Length	mm	1829
		in	72.0
2	Load Center	mm	915
		in	36.0
	Static Tipping Load - Straight (Forks Level)	kg	7748
		lbs	17076
	Static Tipping Load - Articulated (Forks Level)	kg	6618
		lbs	14585
	Rated Load (SAE J1197 - 50% FTSTL)	kg	3309
		lbs	7293
	Rated Load (CEN EN 474-3 Rough Terrain - 60% FTSTL)	kg	3971
		lbs	8751
	Rated Load (CEN EN 474-3 Firm and Level Ground - 80% FTSTL)	kg	5294
		lbs	11668
3	Maximum Overall Length	mm	9669
		in	380.7
4	Reach with Forks at Ground Level	mm	1613
		in	63.5
5	*Ground to Bottom of Tine at Minimum Height and Fork Level	mm	-109
		in	-4.3
6	Reach with Arms Horizontal and Forks Level	mm	2081
		in	81.9
7	Reach with Fork at Maximum Height	mm	971
		in	38.2
8	Ground to Top of Tine with Arms Horizontal and Fork Level	mm	1847
		in	72.7
9	Ground to Top of Tine at Maximum Height and Fork Level	mm	4271
		in	168.2
10	Overall Height of Fork at Full Lift (top of carriage to ground)	mm	5311
		in	209.1
11	Clearance at Full Lift and Max Dump	mm	2530
		in	99.6
12	Max Discharge Angle from Horizontal	deg	51
13	Overall Carriage Width	mm	2528
		in	99.5
14	Overall Carriage Height	mm	1130
		in	44.5
15	Outside Tine Width (max spread)	mm	2178
		in	85.7
16	Outside Tine Width (min spread)	mm	576
		in	22.7
	Tine Width (single tine)	mm	180.0
		in	7.1
	Tine Thickness	mm	90.0
		in	3.5
	Tine Capacity	kg	14800
		lbs	32619
	Operating Weight	kg	19261
		lbs	42452

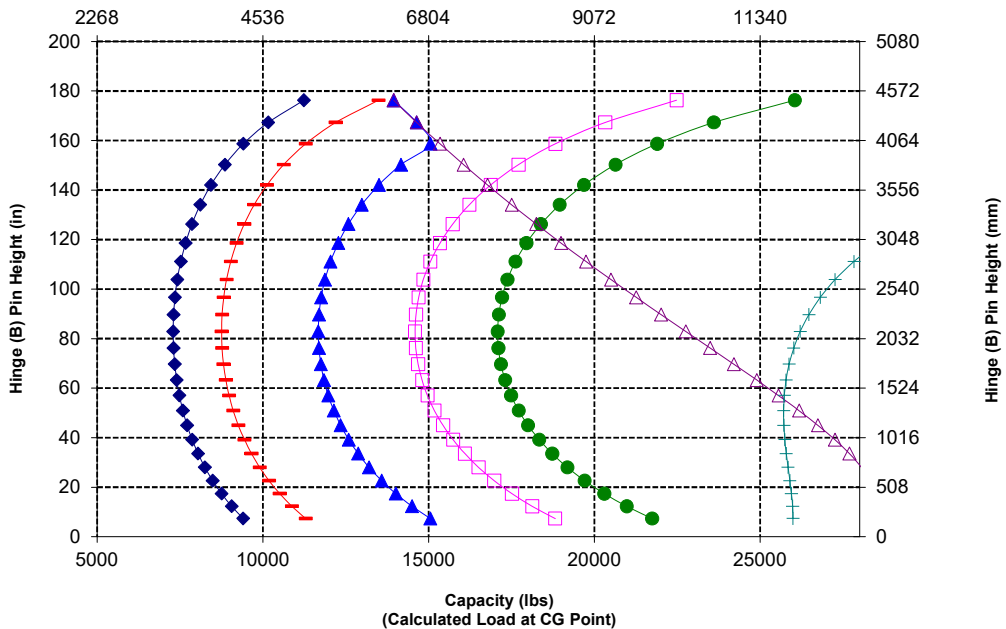
\*Negative values indicate below grade

### 950 HL Construction Fork, FUSION 96" Carriage 72" Tine 520-7957 520-7979

\*Build 14A  
\*Z-Bar Linkage  
\*High Lift Configuration



Capacity (kg)  
(Calculated Load at CG Point)



**WARNING:** Do not exceed tine load capacity. Individual tine capacity is stamped on the side of each tine.



# 950 Wheel Loader Specifications

## Fork Specifications

### Fork Specifications

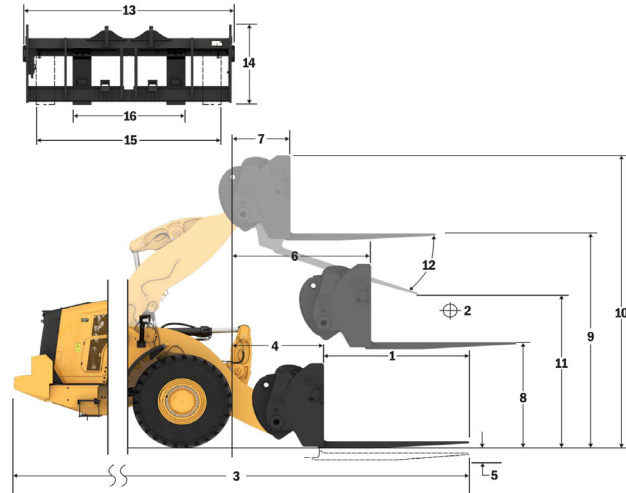
1	Tine Length	mm	2134
		in	84.0
2	Load Center	mm	1067
		in	42.0
	Static Tipping Load - Straight (Forks Level)	kg	7382
		lbs	16270
	Static Tipping Load - Articulated (Forks Level)	kg	6295
		lbs	13874
	Rated Load (SAE J1197 - 50% FTSTL)	kg	3147
		lbs	6937
	Rated Load (CEN EN 474-3 Rough Terrain - 60% FTSTL)	kg	3777
		lbs	8324
	Rated Load (CEN EN 474-3 Firm and Level Ground - 80% FTSTL)	kg	5036
		lbs	11099
3	Maximum Overall Length	mm	9974
		in	392.7
4	Reach with Forks at Ground Level	mm	1613
		in	63.5
5	*Ground to Bottom of Tine at Minimum Height and Fork Level	mm	-109
		in	-4.3
6	Reach with Arms Horizontal and Forks Level	mm	2081
		in	81.9
7	Reach with Fork at Maximum Height	mm	971
		in	38.2
8	Ground to Top of Tine with Arms Horizontal and Fork Level	mm	1847
		in	72.7
9	Ground to Top of Tine at Maximum Height and Fork Level	mm	4271
		in	168.2
10	Overall Height of Fork at Full Lift (top of carriage to ground)	mm	5311
		in	209.1
11	Clearance at Full Lift and Max Dump	mm	2291
		in	90.2
12	Max Discharge Angle from Horizontal	deg	51
13	Overall Carriage Width	mm	2528
		in	99.5
14	Overall Carriage Height	mm	1130
		in	44.5
15	Outside Tine Width (max spread)	mm	2178
		in	85.7
16	Outside Tine Width (min spread)	mm	576
		in	22.7
	Tine Width (single tine)	mm	180.0
		in	7.1
	Tine Thickness	mm	90.0
		in	3.5
	Tine Capacity	kg	12700
		lbs	27991
	Operating Weight	kg	19324
		lbs	42590

\*Negative values indicate below grade

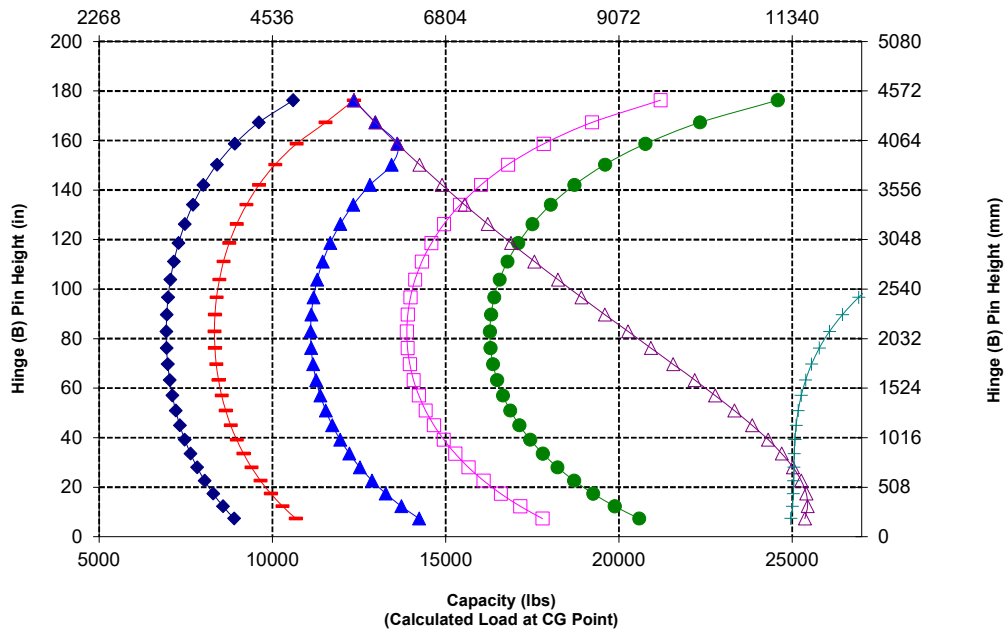
### 950 HL Construction Fork, FUSION

96" Carriage 520-7957  
84" Tine 520-7986

\*Build 14A  
\*Z-Bar Linkage  
\*High Lift Configuration



Capacity (kg)  
(Calculated Load at CG Point)



**WARNING:** Do not exceed tine load capacity. Individual tine capacity is stamped on the side of each tine.

# 950 Wheel Loader Specifications

## Fork Specifications

### Fork Specifications

1	Tine Length	mm	2438
		in	96.0
2	Load Center	mm	1219
		in	48.0
	Static Tipping Load - Straight (Forks Level)	kg	7041
		lbs	15518
	Static Tipping Load - Articulated (Forks Level)	kg	5994
		lbs	13210
	Rated Load (SAE J1197 - 50% FTSTL)	kg	2997
		lbs	6605
	Rated Load (CEN EN 474-3 Rough Terrain - 60% FTSTL)	kg	3596
		lbs	7926
	Rated Load (CEN EN 474-3 Firm and Level Ground - 80% FTSTL)	kg	4795
		lbs	10568
3	Maximum Overall Length	mm	10278
		in	404.6
4	Reach with Forks at Ground Level	mm	1613
		in	63.5
5	*Ground to Bottom of Tine at Minimum Height and Fork Level	mm	-109
		in	-4.3
6	Reach with Arms Horizontal and Forks Level	mm	2081
		in	81.9
7	Reach with Fork at Maximum Height	mm	971
		in	38.2
8	Ground to Top of Tine with Arms Horizontal and Fork Level	mm	1847
		in	72.7
9	Ground to Top of Tine at Maximum Height and Fork Level	mm	4271
		in	168.2
10	Overall Height of Fork at Full Lift (top of carriage to ground)	mm	5311
		in	209.1
11	Clearance at Full Lift and Max Dump	mm	2054
		in	80.9
12	Max Discharge Angle from Horizontal	deg	51
13	Overall Carriage Width	mm	2528
		in	99.5
14	Overall Carriage Height	mm	1130
		in	44.5
15	Outside Tine Width (max spread)	mm	2178
		in	85.7
16	Outside Tine Width (min spread)	mm	576
		in	22.7
	Tine Width (single tine)	mm	180.0
		in	7.1
	Tine Thickness	mm	90.0
		in	3.5
	Tine Capacity	kg	11300
		lbs	24905
	Operating Weight	kg	19386
		lbs	42727

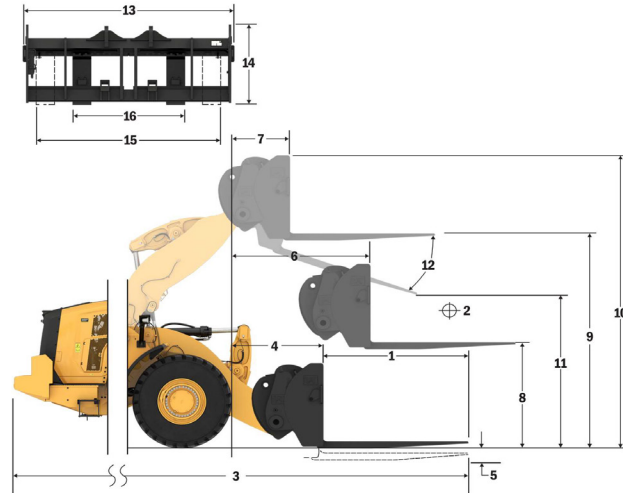
\*Negative values indicate below grade

### 950 HL Construction Fork, FUSION

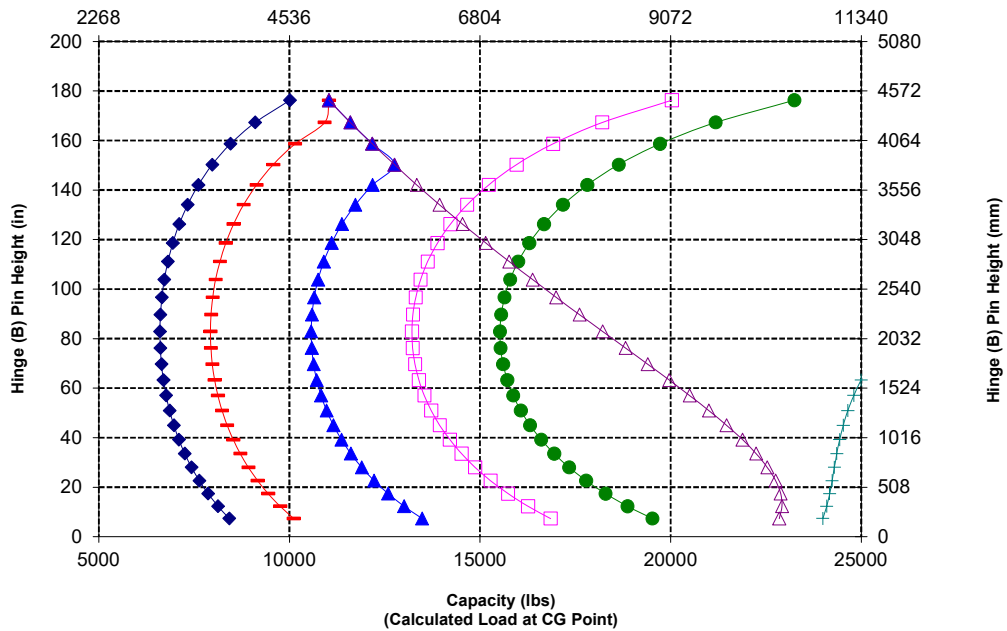
96" Carriage  
520-7957

96" Tine  
520-7981

\*Build 14A  
\*Z-Bar Linkage  
\*High Lift Configuration



Capacity (kg)  
(Calculated Load at CG Point)



**WARNING:** Do not exceed tine load capacity. Individual tine capacity is stamped on the side of each tine.

# 950 Wheel Loader Specifications

## Fork Specifications

### Fork Specifications

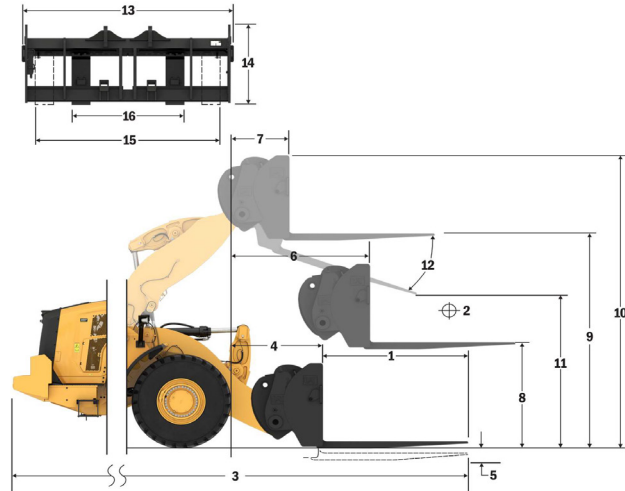
1	Tine Length	mm	1219
		in	48.0
2	Load Center	mm	610
		in	24.0
	Static Tipping Load - Straight (Forks Level)	kg	8518
		lbs	18773
	Static Tipping Load - Articulated (Forks Level)	kg	7290
		lbs	16067
	Rated Load (SAE J1197 - 50% FTSTL)	kg	3645
		lbs	8034
	Rated Load (CEN EN 474-3 Rough Terrain - 60% FTSTL)	kg	4374
		lbs	9640
	Rated Load (CEN EN 474-3 Firm and Level Ground - 80% FTSTL)	kg	5832
		lbs	12854
3	Maximum Overall Length	mm	9059
		in	356.6
4	Reach with Forks at Ground Level	mm	1613
		in	63.5
5	*Ground to Bottom of Tine at Minimum Height and Fork Level	mm	-109
		in	-4.3
6	Reach with Arms Horizontal and Forks Level	mm	2081
		in	81.9
7	Reach with Fork at Maximum Height	mm	971
		in	38.2
8	Ground to Top of Tine with Arms Horizontal and Fork Level	mm	1847
		in	72.7
9	Ground to Top of Tine at Maximum Height and Fork Level	mm	4271
		in	168.2
10	Overall Height of Fork at Full Lift (top of carriage to ground)	mm	5311
		in	209.1
11	Clearance at Full Lift and Max Dump	mm	3006
		in	118.3
12	Max Discharge Angle from Horizontal	deg	51
13	Overall Carriage Width	mm	2833
		in	111.5
14	Overall Carriage Height	mm	1130
		in	44.5
15	Outside Tine Width (max spread)	mm	2493
		in	98.1
16	Outside Tine Width (min spread)	mm	590
		in	23.2
	Tine Width (single tine)	mm	180.0
		in	7.1
	Tine Thickness	mm	90.0
		in	3.5
	Tine Capacity	kg	22200
		lbs	48929
	Operating Weight	kg	19187
		lbs	42288

\*Negative values indicate below grade

### 950 HL Construction Fork, FUSION

108" Carriage 48" Tine  
520-7968 520-7985

\*Build 14A  
\*Z-Bar Linkage  
\*High Lift Configuration



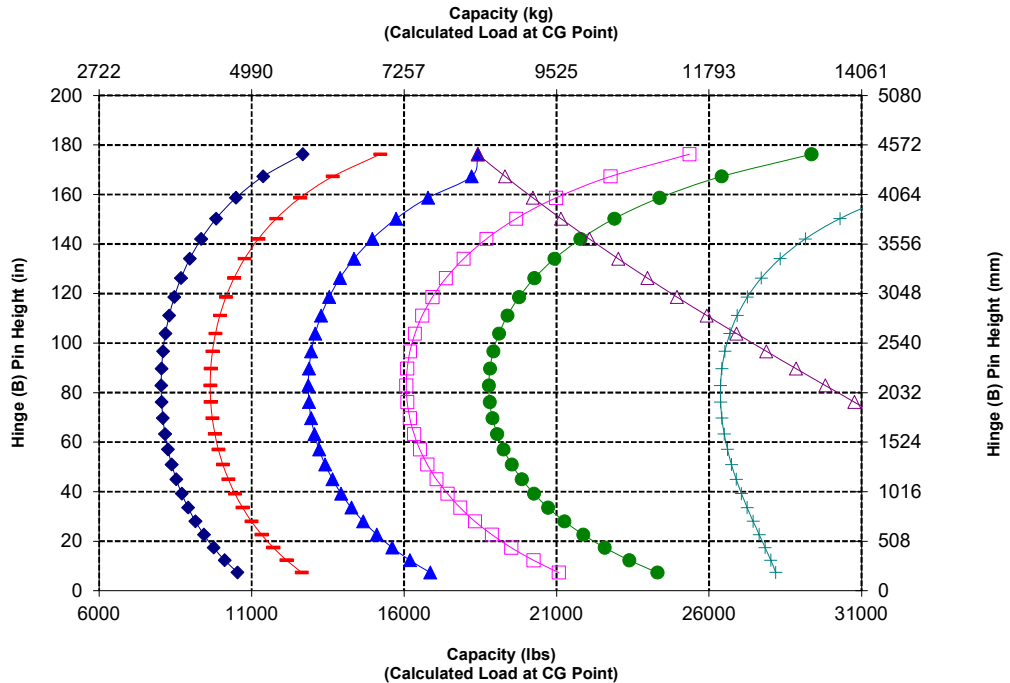
- ◆ Payload (SAE J1197)
- ◆ Payload (CEN EN 474-3 - Rough Terrain)
- ◆ Payload (CEN EN 474-3 - Firm & Level)
- ◆ Static Tipping Load - Articulated
- ◆ Static Tipping Load - Straight
- ◆ Hydraulic Tilt Capacity
- ◆ Hydraulic Lift Capacity

**NOTE:** Static tipping loads and operating weight are based on the following loader configuration: Bridgestone VJTL3 Tires, Air Conditioning, Ride Control, Powertrain Guard, Full Fluids, Fuel Tank, Coolant, Lubricants, and Operator.

Specifications and ratings conform to the following standards: SAE\* J1197, ISO 14397-1, CEN\*\* EN 474-3.

The rated operating load for a loader equipped with a pallet fork is determined by:  
SAE J1197: 50% of full turn static tipping load or hydraulic limit.  
CEN EN 474-3: 60% of full turn static tipping load on rough terrain or hydraulic limit.  
CEN EN 474-3: 80% of full turn static tipping load on firm and level ground or hydraulic limit.

\*SAE - Society of Automotive Engineers  
\*\*CEN - European Committee for Standardization



**WARNING:** Do not exceed tine load capacity. Individual tine capacity is stamped on the side of each tine.

# 950 Wheel Loader Specifications

## Fork Specifications

### Fork Specifications

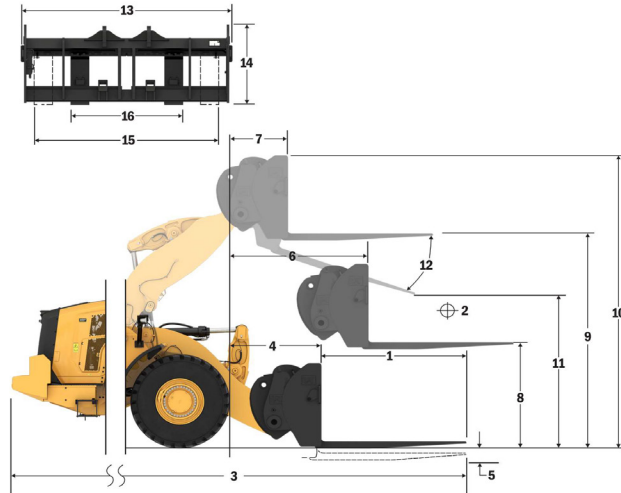
1	Tine Length	mm	1524
		in	60.0
2	Load Center	mm	762
		in	30.0
	Static Tipping Load - Straight (Forks Level)	kg	8101
		lbs	17855
	Static Tipping Load - Articulated (Forks Level)	kg	6924
		lbs	15260
	Rated Load (SAE J1197 - 50% FTSTL)	kg	3462
		lbs	7630
	Rated Load (CEN EN 474-3 Rough Terrain - 60% FTSTL)	kg	4154
		lbs	9156
	Rated Load (CEN EN 474-3 Firm and Level Ground - 80% FTSTL)	kg	5539
		lbs	12208
3	Maximum Overall Length	mm	9364
		in	368.7
4	Reach with Forks at Ground Level	mm	1613
		in	63.5
5	*Ground to Bottom of Tine at Minimum Height and Fork Level	mm	-109
		in	-4.3
6	Reach with Arms Horizontal and Forks Level	mm	2081
		in	81.9
7	Reach with Fork at Maximum Height	mm	971
		in	38.2
8	Ground to Top of Tine with Arms Horizontal and Fork Level	mm	1847
		in	72.7
9	Ground to Top of Tine at Maximum Height and Fork Level	mm	4271
		in	168.2
10	Overall Height of Fork at Full Lift (top of carriage to ground)	mm	5311
		in	209.1
11	Clearance at Full Lift and Max Dump	mm	2768
		in	109.0
12	Max Discharge Angle from Horizontal	deg	51
13	Overall Carriage Width	mm	2833
		in	111.5
14	Overall Carriage Height	mm	1130
		in	44.5
15	Outside Tine Width (max spread)	mm	2483
		in	97.8
16	Outside Tine Width (min spread)	mm	590
		in	23.2
	Tine Width (single tine)	mm	180.0
		in	7.1
	Tine Thickness	mm	90.0
		in	3.5
	Tine Capacity	kg	17800
		lbs	39231
	Operating Weight	kg	19249
		lbs	42425

\*Negative values indicate below grade

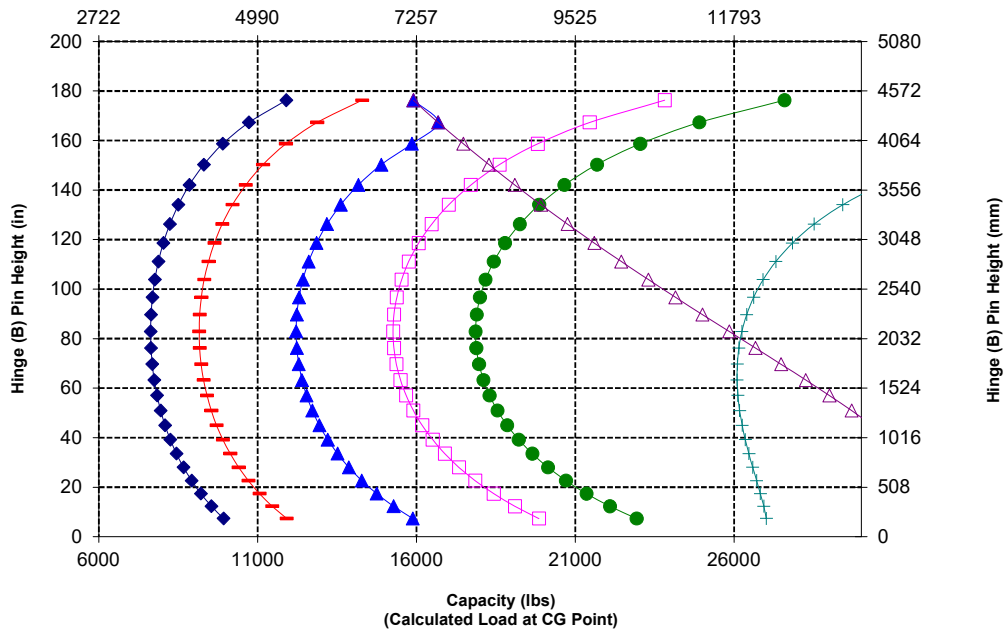
### 950 HL Construction Fork, FUSION

108" Carriage 60" Tine  
520-7968 520-7980

\*Build 14A  
\*Z-Bar Linkage  
\*High Lift Configuration



Capacity (kg)  
(Calculated Load at CG Point)



**WARNING:** Do not exceed tine load capacity. Individual tine capacity is stamped on the side of each tine.

# 950 Wheel Loader Specifications

## Fork Specifications

### Fork Specifications

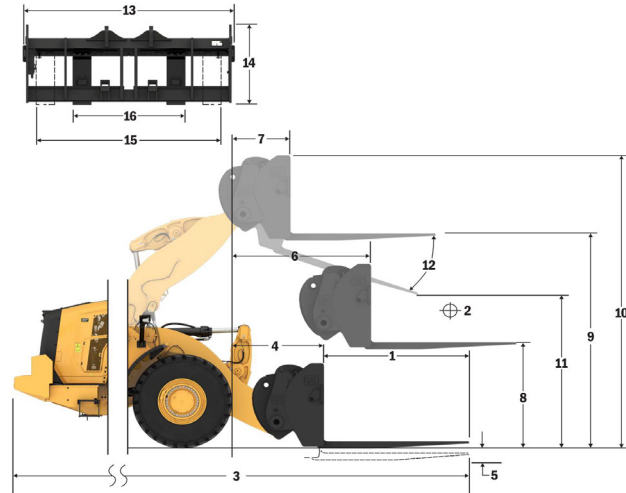
1	Tine Length	mm	1829
		in	72.0
2	Load Center	mm	915
		in	36.0
	Static Tipping Load - Straight (Forks Level)	kg	7712
		lbs	16997
	Static Tipping Load - Articulated (Forks Level)	kg	6582
		lbs	14506
	Rated Load (SAE J1197 - 50% FTSTL)	kg	3291
		lbs	7253
	Rated Load (CEN EN 474-3 Rough Terrain - 60% FTSTL)	kg	3949
		lbs	8704
	Rated Load (CEN EN 474-3 Firm and Level Ground - 80% FTSTL)	kg	5265
		lbs	11605
3	Maximum Overall Length	mm	9669
		in	380.7
4	Reach with Forks at Ground Level	mm	1613
		in	63.5
5	*Ground to Bottom of Tine at Minimum Height and Fork Level	mm	-109
		in	-4.3
6	Reach with Arms Horizontal and Forks Level	mm	2081
		in	81.9
7	Reach with Fork at Maximum Height	mm	971
		in	38.2
8	Ground to Top of Tine with Arms Horizontal and Fork Level	mm	1847
		in	72.7
9	Ground to Top of Tine at Maximum Height and Fork Level	mm	4271
		in	168.2
10	Overall Height of Fork at Full Lift (top of carriage to ground)	mm	5311
		in	209.1
11	Clearance at Full Lift and Max Dump	mm	2530
		in	99.6
12	Max Discharge Angle from Horizontal	deg	51
13	Overall Carriage Width	mm	2833
		in	111.5
14	Overall Carriage Height	mm	1130
		in	44.5
15	Outside Tine Width (max spread)	mm	2483
		in	97.8
16	Outside Tine Width (min spread)	mm	590
		in	23.2
	Tine Width (single tine)	mm	180.0
		in	7.1
	Tine Thickness	mm	90.0
		in	3.5
	Tine Capacity	kg	14800
		lbs	32619
	Operating Weight	kg	19311
		lbs	42562

\*Negative values indicate below grade

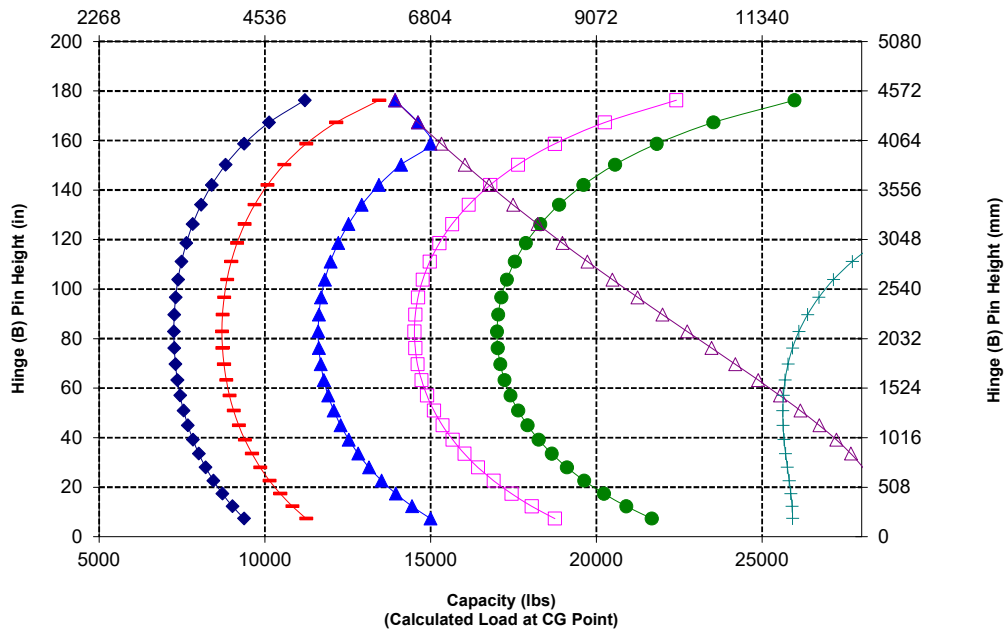
### 950 HL Construction Fork, FUSION

108" Carriage 72" Tine  
520-7968 520-7979

\*Build 14A  
\*Z-Bar Linkage  
\*High Lift Configuration



Capacity (kg)  
(Calculated Load at CG Point)



**NOTE:** Static tipping loads and operating weight are based on the following loader configuration: Bridgestone VJTL3 Tires, Air Conditioning, Ride Control, Powertrain Guard, Full Fluids, Fuel Tank, Coolant, Lubricants, and Operator.

Specifications and ratings conform to the following standards: SAE\* J1197, ISO 14397-1, CEN\*\* EN 474-3.

The rated operating load for a loader equipped with a pallet fork is determined by:  
SAE J1197: 50% of full turn static tipping load or hydraulic limit.  
CEN EN 474-3: 60% of full turn static tipping load on rough terrain or hydraulic limit.  
CEN EN 474-3: 80% of full turn static tipping load on firm and level ground or hydraulic limit.

\*SAE - Society of Automotive Engineers  
\*\*CEN - European Committee for Standardization



**WARNING:** Do not exceed tine load capacity. Individual tine capacity is stamped on the side of each tine.

# 950 Wheel Loader Specifications

## Fork Specifications

### Fork Specifications

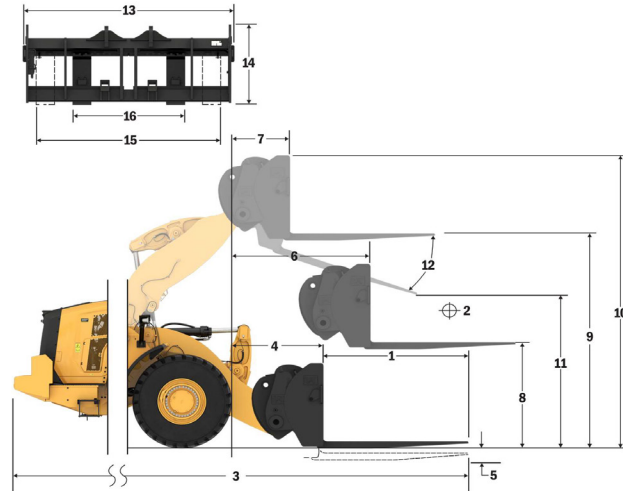
1	Tine Length	mm	2134
		in	84.0
2	Load Center	mm	1067
		in	42.0
	Static Tipping Load - Straight (Forks Level)	kg	7348
		lbs	16196
	Static Tipping Load - Articulated (Forks Level)	kg	6261
		lbs	13800
	Rated Load (SAE J1197 - 50% FTSTL)	kg	3131
		lbs	6900
	Rated Load (CEN EN 474-3 Rough Terrain - 60% FTSTL)	kg	3757
		lbs	8280
	Rated Load (CEN EN 474-3 Firm and Level Ground - 80% FTSTL)	kg	5009
		lbs	11040
3	Maximum Overall Length	mm	9974
		in	392.7
4	Reach with Forks at Ground Level	mm	1613
		in	63.5
5	*Ground to Bottom of Tine at Minimum Height and Fork Level	mm	-109
		in	-4.3
6	Reach with Arms Horizontal and Forks Level	mm	2081
		in	81.9
7	Reach with Fork at Maximum Height	mm	971
		in	38.2
8	Ground to Top of Tine with Arms Horizontal and Fork Level	mm	1847
		in	72.7
9	Ground to Top of Tine at Maximum Height and Fork Level	mm	4271
		in	168.2
10	Overall Height of Fork at Full Lift (top of carriage to ground)	mm	5311
		in	209.1
11	Clearance at Full Lift and Max Dump	mm	2291
		in	90.2
12	Max Discharge Angle from Horizontal	deg	51
13	Overall Carriage Width	mm	2833
		in	111.5
14	Overall Carriage Height	mm	1130
		in	44.5
15	Outside Tine Width (max spread)	mm	2483
		in	97.8
16	Outside Tine Width (min spread)	mm	590
		in	23.2
	Tine Width (single tine)	mm	180.0
		in	7.1
	Tine Thickness	mm	90.0
		in	3.5
	Tine Capacity	kg	12700
		lbs	27991
	Operating Weight	kg	19373
		lbs	42698

\*Negative values indicate below grade

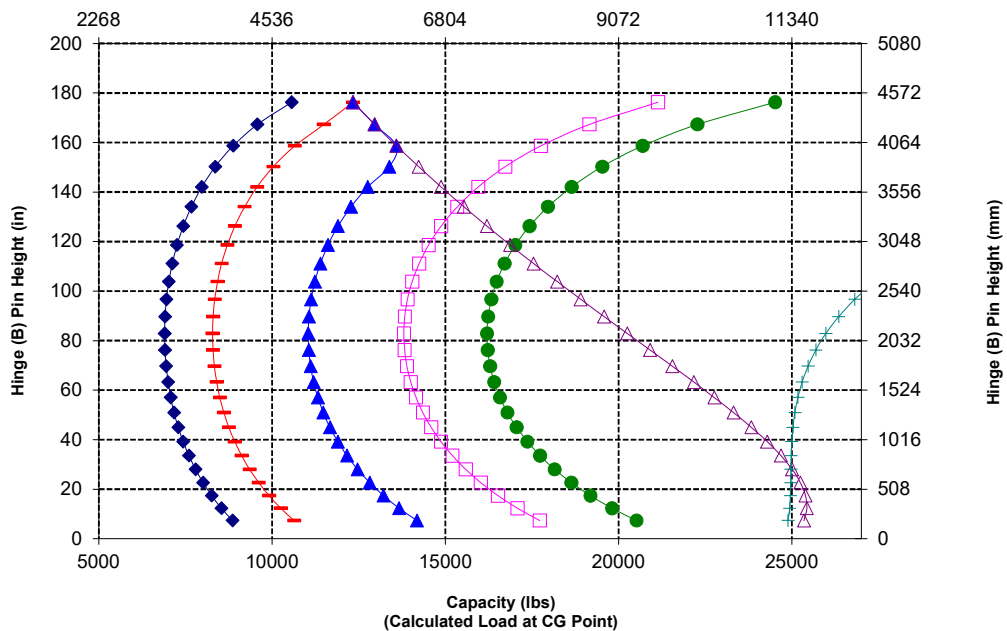
### 950 HL Construction Fork, FUSION

108" Carriage 84" Tine  
520-7968 520-7986

\*Build 14A  
\*Z-Bar Linkage  
\*High Lift Configuration



Capacity (kg)  
(Calculated Load at CG Point)



**WARNING:** Do not exceed tine load capacity. Individual tine capacity is stamped on the side of each tine.

# 950 Wheel Loader Specifications

## Fork Specifications

### Fork Specifications

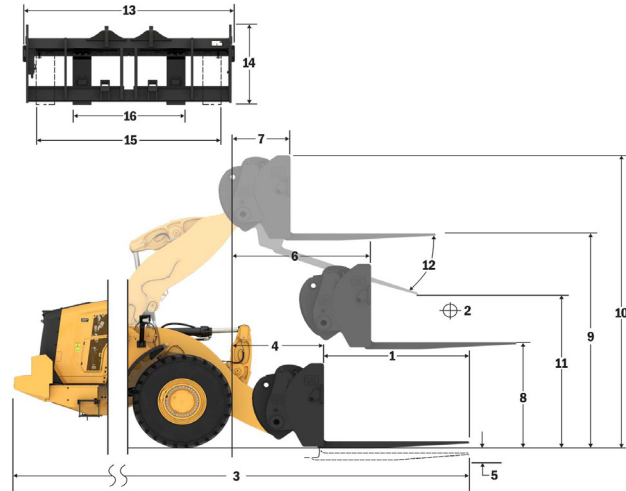
1	Tine Length	mm	2438
		in	96.0
2	Load Center	mm	1219
		in	48.0
	Static Tipping Load - Straight (Forks Level)	kg	7008
		lbs	15445
	Static Tipping Load - Articulated (Forks Level)	kg	5960
		lbs	13137
	Rated Load (SAE J1197 - 50% FTSTL)	kg	2980
		lbs	6568
	Rated Load (CEN EN 474-3 Rough Terrain - 60% FTSTL)	kg	3576
		lbs	7882
	Rated Load (CEN EN 474-3 Firm and Level Ground - 80% FTSTL)	kg	4768
		lbs	10509
3	Maximum Overall Length	mm	10278
		in	404.6
4	Reach with Forks at Ground Level	mm	1613
		in	63.5
5	*Ground to Bottom of Tine at Minimum Height and Fork Level	mm	-109
		in	-4.3
6	Reach with Arms Horizontal and Forks Level	mm	2081
		in	81.9
7	Reach with Fork at Maximum Height	mm	971
		in	38.2
8	Ground to Top of Tine with Arms Horizontal and Fork Level	mm	1847
		in	72.7
9	Ground to Top of Tine at Maximum Height and Fork Level	mm	4271
		in	168.2
10	Overall Height of Fork at Full Lift (top of carriage to ground)	mm	5311
		in	209.1
11	Clearance at Full Lift and Max Dump	mm	2054
		in	80.9
12	Max Discharge Angle from Horizontal	deg	51
13	Overall Carriage Width	mm	2833
		in	111.5
14	Overall Carriage Height	mm	1130
		in	44.5
15	Outside Tine Width (max spread)	mm	2483
		in	97.8
16	Outside Tine Width (min spread)	mm	590
		in	23.2
	Tine Width (single tine)	mm	180.0
		in	7.1
	Tine Thickness	mm	90.0
		in	3.5
	Tine Capacity	kg	11300
		lbs	24905
	Operating Weight	kg	19436
		lbs	42837

\*Negative values indicate below grade

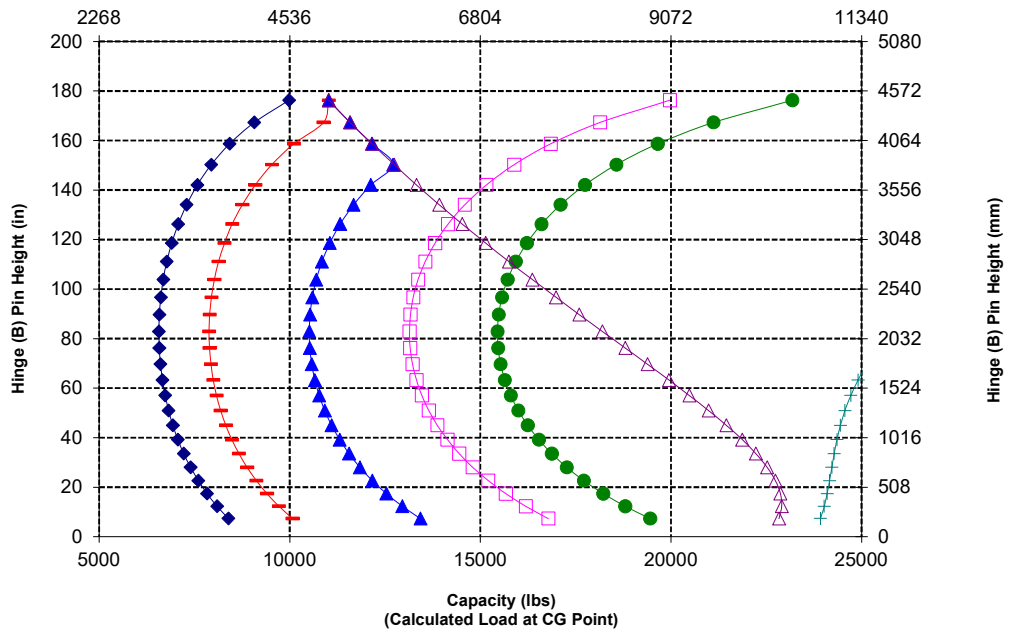
### 950 HL Construction Fork, FUSION

108" Carriage 96" Tine  
520-7968 520-7981

\*Build 14A  
\*Z-Bar Linkage  
\*High Lift Configuration



Capacity (kg)  
(Calculated Load at CG Point)



**NOTE:** Static tipping loads and operating weight are based on the following loader configuration: Bridgestone VJTL3 Tires, Air Conditioning, Ride Control, Powertrain Guard, Full Fluids, Fuel Tank, Coolant, Lubricants, and Operator.

Specifications and ratings conform to the following standards: SAE\* J1197, ISO 14397-1, CEN\*\* EN 474-3.

The rated operating load for a loader equipped with a pallet fork is determined by:  
SAE J1197: 50% of full turn static tipping load or hydraulic limit.  
CEN EN 474-3: 60% of full turn static tipping load on rough terrain or hydraulic limit.  
CEN EN 474-3: 80% of full turn static tipping load on firm and level ground or hydraulic limit.

\*SAE - Society of Automotive Engineers  
\*\*CEN - European Committee for Standardization



**WARNING:** Do not exceed tine load capacity. Individual tine capacity is stamped on the side of each tine.

# 950 Wheel Loader Specifications

## Material Handling Specifications

**950 HL**

289-9885

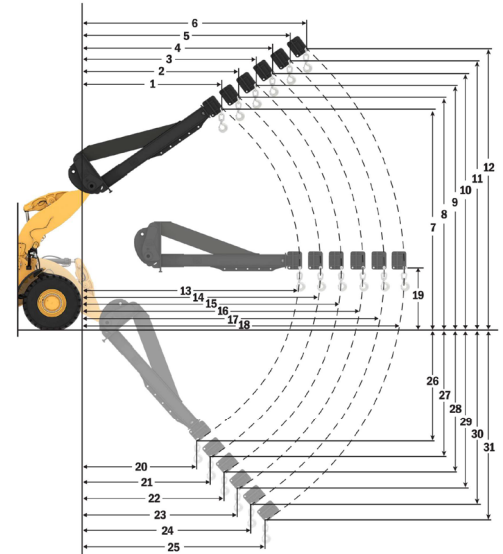
Material Handling Arm, FUSION

6 Position

**MHA Specifications**

	Retracted	Extension 1	Extension 2	Extension 3	Extension 4	Extended
Max Lift - Hook Eyelet Reach (1, 2, 3, 4, 5, 6)	mm 1,888	1,991	2,095	2,198	2,302	2,406
	ft. in 6' 2"	6' 6"	6' 10"	7' 2"	7' 6"	7' 10"
Max Lift - Hook Eyelet Height (7, 8, 9, 10, 11, 12)	mm 7,492	7,779	8,066	8,352	8,639	8,926
	ft. in 24' 6"	25' 6"	26' 5"	27' 4"	28' 4"	29' 3"
Level - Hook Eyelet Reach (13, 14, 15, 16, 17, 18)	mm 4,946	5,251	5,556	5,860	6,165	6,470
	ft. in 16' 2"	17' 2"	18' 2"	19' 2"	20' 2"	21' 2"
Level - Hook Eyelet Height (19)	mm 1,813	1,813	1,813	1,813	1,813	1,813
	ft. in 5' 11.3"	5' 11.3"	5' 11.3"	5' 11.3"	5' 11.3"	5' 11.3"
Min Lift - Hook Eyelet Reach (20, 21, 22, 23, 24, 25)	mm 3,225	3,442	3,659	3,875	4,092	4,309
	ft. in 10' 6"	11' 3"	12' 0"	12' 8"	13' 5"	14' 1"
Min Lift - Hook Eyelet Height (26, 27, 28, 29, 30, 31)	mm (2,299)	(2,514)	(2,728)	(2,942)	(3,157)	(3,371)
	ft. in -7' 5"	-8' 9"	-8' 0"	-9' 4"	-10' 7"	-11' 11"
Static Tipping Load, Straight	kg 5,418	5,138	4,885	4,655	4,445	4,253
	lb 11,940	11,324	10,767	10,260	9,798	9,373
Static Tipping Load, Articulated	kg 4,673	4,431	4,212	4,012	3,831	3,664
	lb 10,298	9,765	9,282	8,844	8,443	8,075
Operating Weight	kg 18,583	18,583	18,583	18,583	18,583	18,583
	lb 40,957	40,957	40,957	40,957	40,957	40,957

- \*Build 14A
- \*Z-Bar Linkage
- \*High Lift Configuration



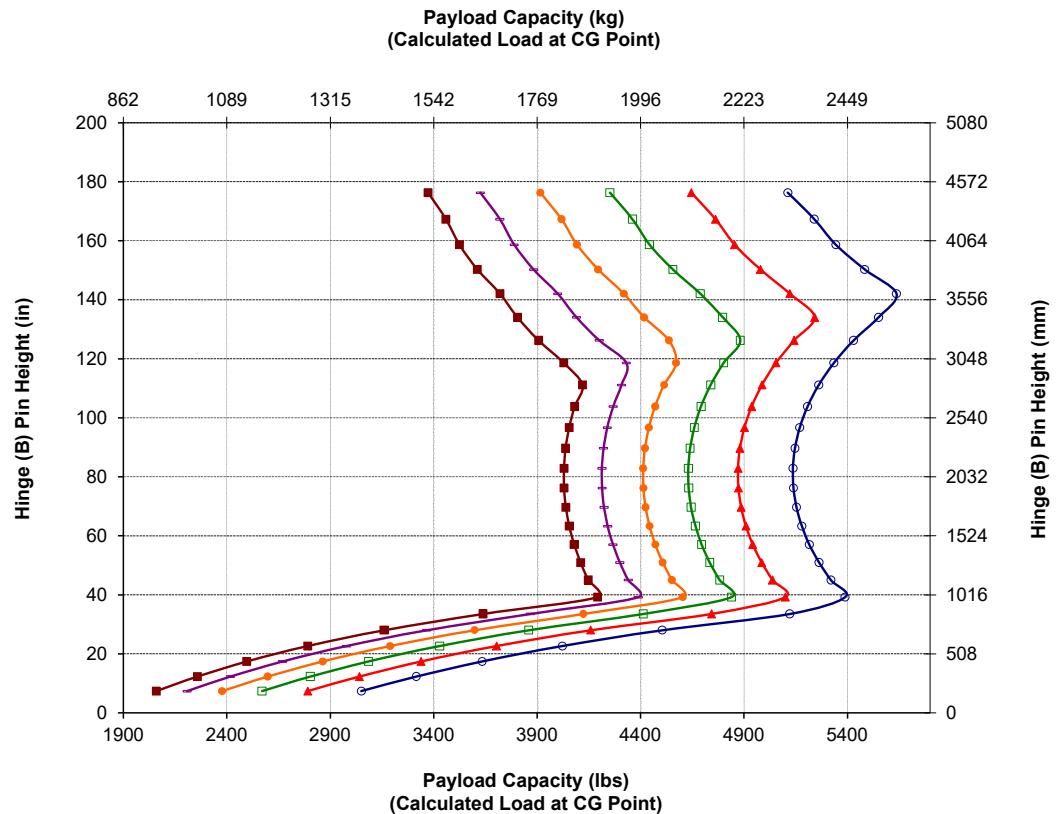
- ◆ Retracted
- ▲ Extension 1
- ◻ Extension 2
- ◊ Extension 3
- ◆ Extension 4
- Extended

**NOTE:** Static tipping loads and operating weight are based on the following loader configuration: Bridgestone VJT L3 Tires, Air Conditioning, Ride Control, Powertrain Guard, Full Fluids, Fuel Tank, Coolant, Lubricants, and Operator.

Specifications and ratings conform to the following standards: SAE\* J1197, ISO 14397-1

The rated operating load for a loader equipped with a material handling arm is determined by:  
SAE J1197: 50% of full turn static tipping load or hydraulic limit.

\*SAE - Society of Automotive Engineers





# 950 Wheel Loader Specifications

## Fork Specifications

### Fork Specifications

1	Tine Length	mm	1524
		in	60.0
2	Load Center	mm	762
		in	30.0
	Static Tipping Load - Straight (Forks Level)	kg	9884
		lbs	21783
	Static Tipping Load - Articulated (Forks Level)	kg	8564
		lbs	18875
	Rated Load (SAE J1197 - 50% FTSTL)	kg	4282
		lbs	9437
	Rated Load (CEN EN 474-3 Rough Terrain - 60% FTSTL)	kg	5138
		lbs	11325
	Rated Load (CEN EN 474-3 Firm and Level Ground - 80% FTSTL)	kg	6385
		lbs	14071
3	Maximum Overall Length	mm	8921
		in	351.2
4	Reach with Forks at Ground Level	mm	1170
		in	46.1
5	*Ground to Bottom of Tine at Minimum Height and Fork Level	mm	-167
		in	-6.6
6	Reach with Arms Horizontal and Forks Level	mm	1682
		in	66.2
7	Reach with Fork at Maximum Height	mm	910
		in	35.8
8	Ground to Top of Tine with Arms Horizontal and Fork Level	mm	1743
		in	68.6
9	Ground to Top of Tine at Maximum Height and Fork Level	mm	3671
		in	144.5
10	Overall Height of Fork at Full Lift (top of carriage to ground)	mm	4446
		in	175.1
11	Clearance at Full Lift and Max Dump	mm	2270
		in	89.4
12	Max Discharge Angle from Horizontal	deg	48
13	Overall Carriage Width	mm	2217
		in	87.3
14	Overall Carriage Height	mm	840
		in	33.1
15	Outside Tine Width (max spread)	mm	2070
		in	81.5
16	Outside Tine Width (min spread)	mm	470
		in	18.5
	Tine Width (single tine)	mm	150.0
		in	5.9
	Tine Thickness	mm	65.0
		in	2.6
	Tine Capacity	kg	6300
		lbs	13885
	Operating Weight	kg	18257
		lbs	40239

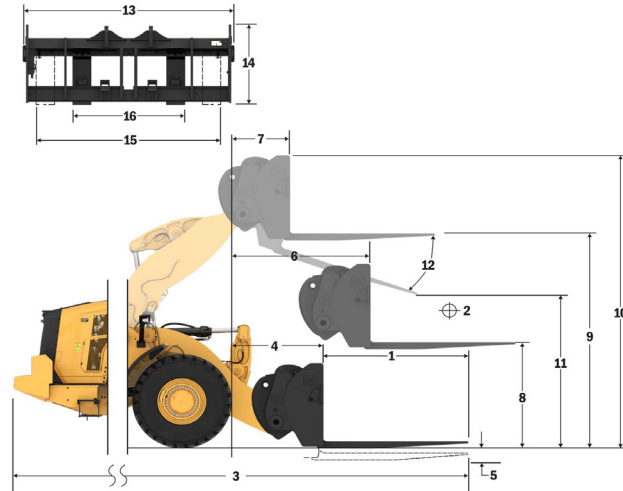
\*Negative values indicate below grade

### 950 AUX Pallet Fork, FUSION

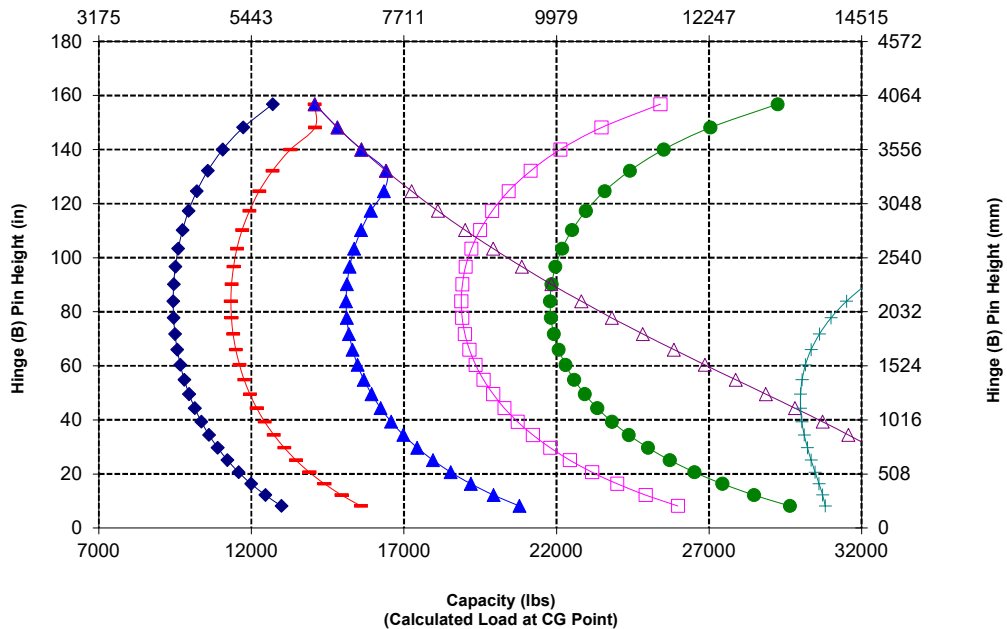
87" Carriage  
530-1861

60" Tine  
548-3265

\*Build 14A  
\*Z-Bar Linkage  
\*Auxiliary CTWT Configuration



Capacity (kg)  
(Calculated Load at CG Point)



**NOTE:** Static tipping loads and operating weight are based on the following loader configuration: Bridgestone VJL L3 Tires, Air Conditioning, Ride Control, Powertrain Guard, Full Fluids, Fuel Tank, Coolant, Lubricants, and Operator.

Specifications and ratings conform to the following standards: SAE\* J1197, ISO 14397-1, CEN\*\* EN 474-3.

The rated operating load for a loader equipped with a pallet fork is determined by:  
SAE J1197: 50% of full turn static tipping load or hydraulic limit.  
CEN EN 474-3: 60% of full turn static tipping load on rough terrain or hydraulic limit.  
CEN EN 474-3: 80% of full turn static tipping load on firm and level ground or hydraulic limit.

\*SAE - Society of Automotive Engineers  
\*\*CEN - European Committee for Standardization



**WARNING:** Do not exceed tine load capacity. Individual tine capacity is stamped on the side of each tine.

# 950 Wheel Loader Specifications

## Fork Specifications

### Fork Specifications

1	Tine Length	mm	1830
		in	72.0
2	Load Center	mm	915
		in	36.0
	Static Tipping Load - Straight (Forks Level)	kg	9396
		lbs	20709
	Static Tipping Load - Articulated (Forks Level)	kg	8135
		lbs	17930
	Rated Load (SAE J1197 - 50% FTSTL)	kg	4068
		lbs	8965
	Rated Load (CEN EN 474-3 Rough Terrain - 60% FTSTL)	kg	4881
		lbs	10758
	Rated Load (CEN EN 474-3 Firm and Level Ground - 80% FTSTL)	kg	5607
		lbs	12358
3	Maximum Overall Length	mm	9227
		in	363.3
4	Reach with Forks at Ground Level	mm	1170
		in	46.1
5	*Ground to Bottom of Tine at Minimum Height and Fork Level	mm	-167
		in	-6.6
6	Reach with Arms Horizontal and Forks Level	mm	1682
		in	66.2
7	Reach with Fork at Maximum Height	mm	910
		in	35.8
8	Ground to Top of Tine with Arms Horizontal and Fork Level	mm	1743
		in	68.6
9	Ground to Top of Tine at Maximum Height and Fork Level	mm	3671
		in	144.5
10	Overall Height of Fork at Full Lift (top of carriage to ground)	mm	4446
		in	175.1
11	Clearance at Full Lift and Max Dump	mm	2042
		in	80.4
12	Max Discharge Angle from Horizontal	deg	48
13	Overall Carriage Width	mm	2217
		in	87.3
14	Overall Carriage Height	mm	840
		in	33.1
15	Outside Tine Width (max spread)	mm	2070
		in	81.5
16	Outside Tine Width (min spread)	mm	470
		in	18.5
	Tine Width (single tine)	mm	150.0
		in	5.9
	Tine Thickness	mm	65.0
		in	2.6
	Tine Capacity	kg	5246
		lbs	11562
	Operating Weight	kg	18304
		lbs	40343

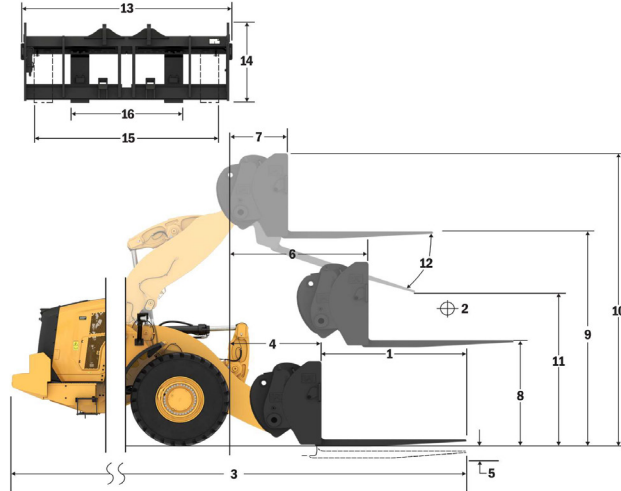
\*Negative values indicate below grade

## 950 AUX Pallet Fork, FUSION

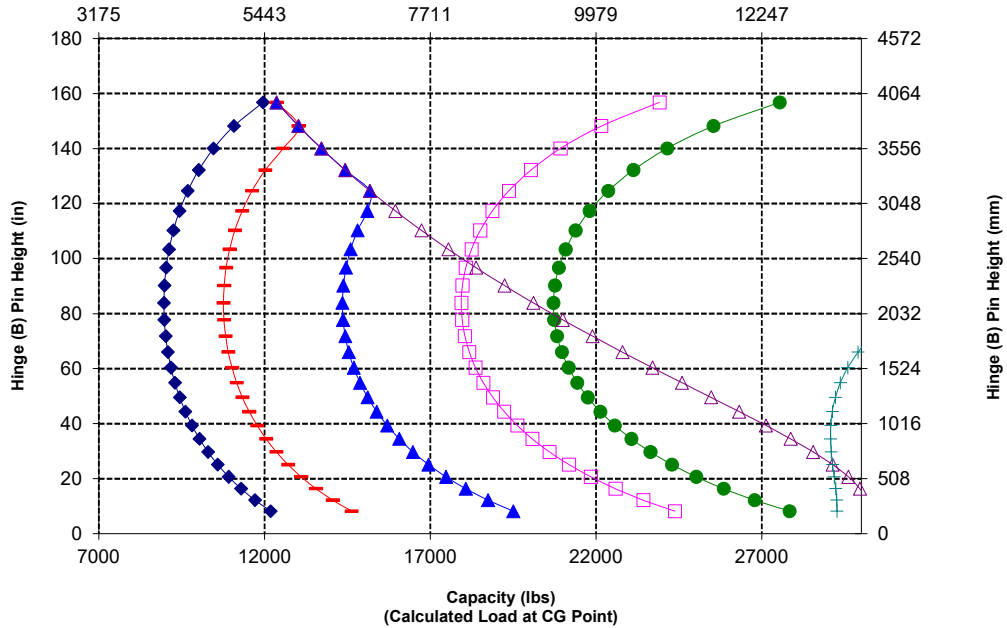
87" Carriage  
530-1861

72" Tine  
530-1869

\*Build 14A  
\*Z-Bar Linkage  
\*Auxiliary CTWT Configuration



Capacity (kg)  
(Calculated Load at CG Point)



**WARNING:** Do not exceed tine load capacity. Individual tine capacity is stamped on the side of each tine.

# 950 Wheel Loader Specifications

## Fork Specifications

### Fork Specifications

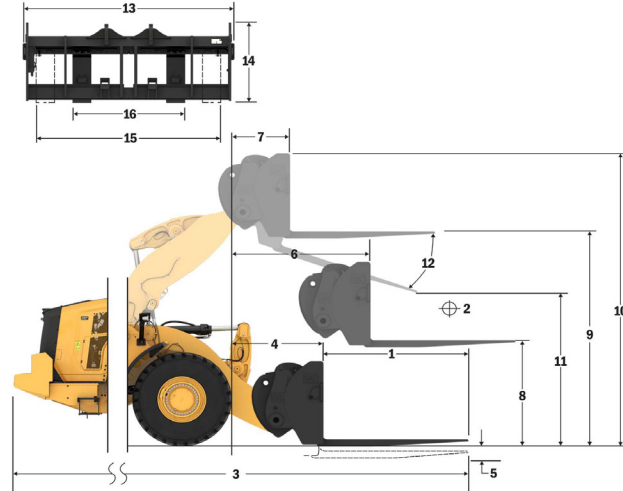
1	Tine Length	mm	1219
		in	49.0
2	Load Center	mm	610
		in	24.0
	Static Tipping Load - Straight (Forks Level)	kg	10152
		lbs	22376
	Static Tipping Load - Articulated (Forks Level)	kg	8765
		lbs	19319
	Rated Load (SAE J1197 - 50% FTSTL)	kg	4383
		lbs	9659
	Rated Load (CEN EN 474-3 Rough Terrain - 60% FTSTL)	kg	5259
		lbs	11591
	Rated Load (CEN EN 474-3 Firm and Level Ground - 80% FTSTL)	kg	7012
		lbs	15455
3	Maximum Overall Length	mm	8570
		in	337.4
4	Reach with Forks at Ground Level	mm	1123
		in	44.2
5	*Ground to Bottom of Tine at Minimum Height and Fork Level	mm	-88
		in	-3.5
6	Reach with Arms Horizontal and Forks Level	mm	1675
		in	65.9
7	Reach with Fork at Maximum Height	mm	903
		in	35.6
8	Ground to Top of Tine with Arms Horizontal and Fork Level	mm	1847
		in	72.7
9	Ground to Top of Tine at Maximum Height and Fork Level	mm	3776
		in	148.7
10	Overall Height of Fork at Full Lift (top of carriage to ground)	mm	4816
		in	189.6
11	Clearance at Full Lift and Max Dump	mm	2468
		in	97.2
12	Max Discharge Angle from Horizontal	deg	55
13	Overall Carriage Width	mm	2528
		in	99.5
14	Overall Carriage Height	mm	1130
		in	44.5
15	Outside Tine Width (max spread)	mm	2178
		in	85.7
16	Outside Tine Width (min spread)	mm	576
		in	22.7
	Tine Width (single tine)	mm	180.0
		in	7.1
	Tine Thickness	mm	90.0
		in	3.5
	Tine Capacity	kg	22200
		lbs	48929
	Operating Weight	kg	18566
		lbs	40920

\*Negative values indicate below grade

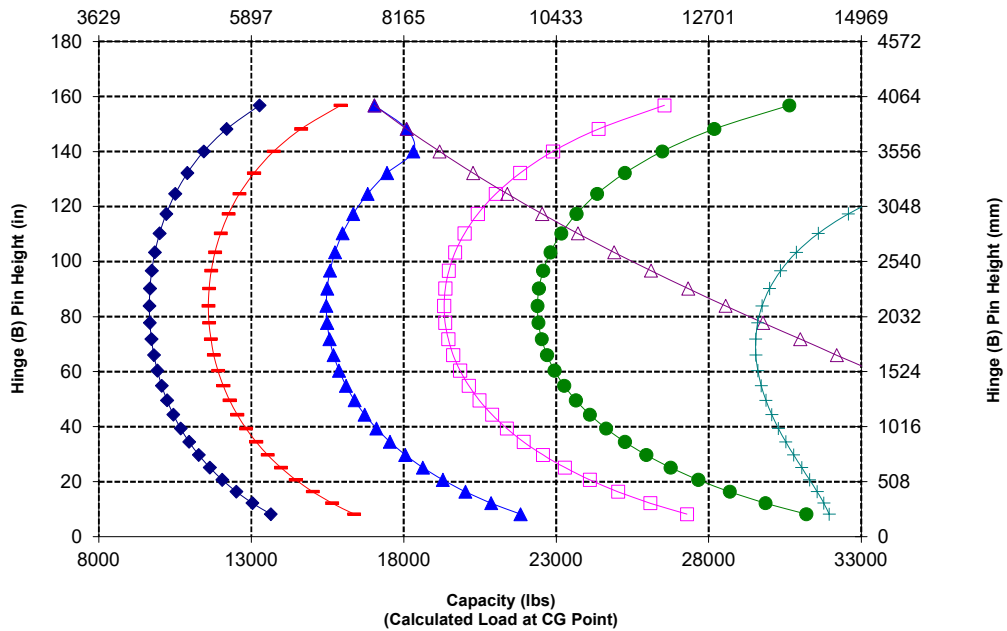
### 950 AUX Construction Fork, FUSION

96" Carriage 48" Tine  
520-7957 520-7985

\*Build 14A  
\*Z-Bar Linkage  
\*Auxiliary CTWT Configuration



Capacity (kg)  
(Calculated Load at CG Point)



**WARNING:** Do not exceed tine load capacity. Individual tine capacity is stamped on the side of each tine.

# 950 Wheel Loader Specifications

## Fork Specifications

### Fork Specifications

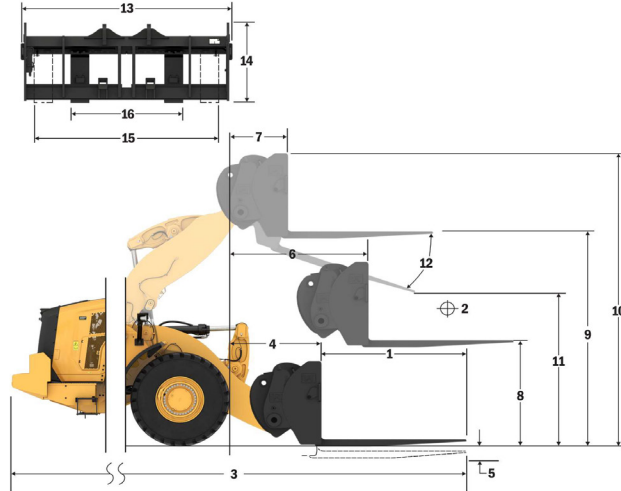
1	Tine Length	mm	1524
		in	60.0
2	Load Center	mm	762
		in	30.0
	Static Tipping Load - Straight (Forks Level)	kg	9614
		lbs	21189
	Static Tipping Load - Articulated (Forks Level)	kg	8291
		lbs	18273
	Rated Load (SAE J1197 - 50% FTSTL)	kg	4146
		lbs	9137
	Rated Load (CEN EN 474-3 Rough Terrain - 60% FTSTL)	kg	4975
		lbs	10964
	Rated Load (CEN EN 474-3 Firm and Level Ground - 80% FTSTL)	kg	6633
		lbs	14619
3	Maximum Overall Length	mm	8875
		in	349.4
4	Reach with Forks at Ground Level	mm	1124
		in	44.2
5	*Ground to Bottom of Tine at Minimum Height and Fork Level	mm	-88
		in	-3.5
6	Reach with Arms Horizontal and Forks Level	mm	1675
		in	66.0
7	Reach with Fork at Maximum Height	mm	903
		in	35.6
8	Ground to Top of Tine with Arms Horizontal and Fork Level	mm	1847
		in	72.7
9	Ground to Top of Tine at Maximum Height and Fork Level	mm	3776
		in	148.7
10	Overall Height of Fork at Full Lift (top of carriage to ground)	mm	4816
		in	189.6
11	Clearance at Full Lift and Max Dump	mm	2220
		in	87.4
12	Max Discharge Angle from Horizontal	deg	55
13	Overall Carriage Width	mm	2528
		in	99.5
14	Overall Carriage Height	mm	1130
		in	44.5
15	Outside Tine Width (max spread)	mm	2178
		in	85.7
16	Outside Tine Width (min spread)	mm	576
		in	22.7
	Tine Width (single tine)	mm	180.0
		in	7.1
	Tine Thickness	mm	90.0
		in	3.5
	Tine Capacity	kg	17800
		lbs	39231
	Operating Weight	kg	18632
		lbs	41066

\*Negative values indicate below grade

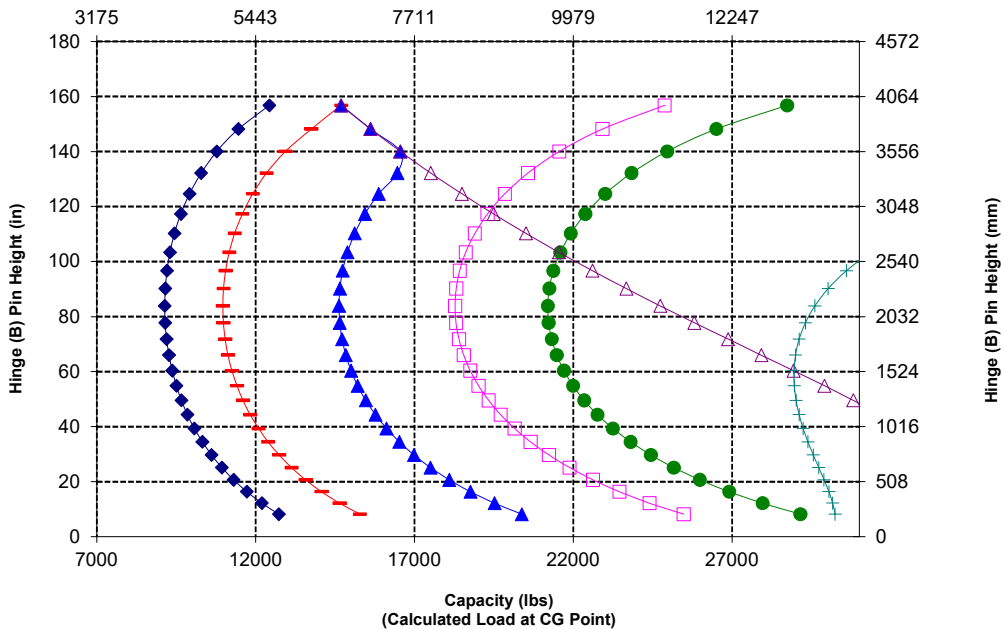
## 950 AUX Construction Fork, FUSION

96" Carriage 60" Tine  
520-7957 520-7980

\*Build 14A  
\*Z-Bar Linkage  
\*Auxiliary CTWT Configuration



Capacity (kg)  
(Calculated Load at CG Point)



**WARNING:** Do not exceed tine load capacity. Individual tine capacity is stamped on the side of each tine.

# 950 Wheel Loader Specifications

## Fork Specifications

### Fork Specifications

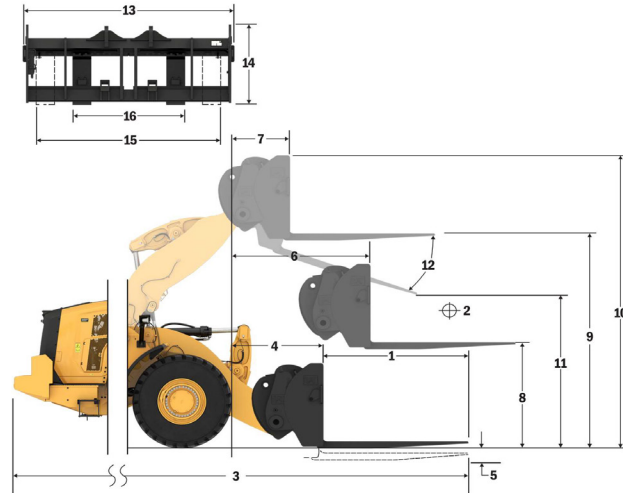
1	Tine Length	mm	1829
		in	72.0
2	Load Center	mm	915
		in	36.0
	Static Tipping Load - Straight (Forks Level)	kg	9121
		lbs	20104
	Static Tipping Load - Articulated (Forks Level)	kg	7857
		lbs	17317
	Rated Load (SAE J1197 - 50% FTSTL)	kg	3929
		lbs	8659
	Rated Load (CEN EN 474-3 Rough Terrain - 60% FTSTL)	kg	4714
		lbs	10390
	Rated Load (CEN EN 474-3 Firm and Level Ground - 80% FTSTL)	kg	5832
		lbs	12855
3	Maximum Overall Length	mm	9180
		in	361.4
4	Reach with Forks at Ground Level	mm	1124
		in	44.2
5	*Ground to Bottom of Tine at Minimum Height and Fork Level	mm	-88
		in	-3.5
6	Reach with Arms Horizontal and Forks Level	mm	1675
		in	66.0
7	Reach with Fork at Maximum Height	mm	903
		in	35.6
8	Ground to Top of Tine with Arms Horizontal and Fork Level	mm	1847
		in	72.7
9	Ground to Top of Tine at Maximum Height and Fork Level	mm	3776
		in	148.7
10	Overall Height of Fork at Full Lift (top of carriage to ground)	mm	4816
		in	189.6
11	Clearance at Full Lift and Max Dump	mm	1972
		in	77.6
12	Max Discharge Angle from Horizontal	deg	55
13	Overall Carriage Width	mm	2528
		in	99.5
14	Overall Carriage Height	mm	1130
		in	44.5
15	Outside Tine Width (max spread)	mm	2178
		in	85.7
16	Outside Tine Width (min spread)	mm	576
		in	22.7
	Tine Width (single tine)	mm	180.0
		in	7.1
	Tine Thickness	mm	90.0
		in	3.5
	Tine Capacity	kg	14800
		lbs	32619
	Operating Weight	kg	18693
		lbs	41200

\*Negative values indicate below grade

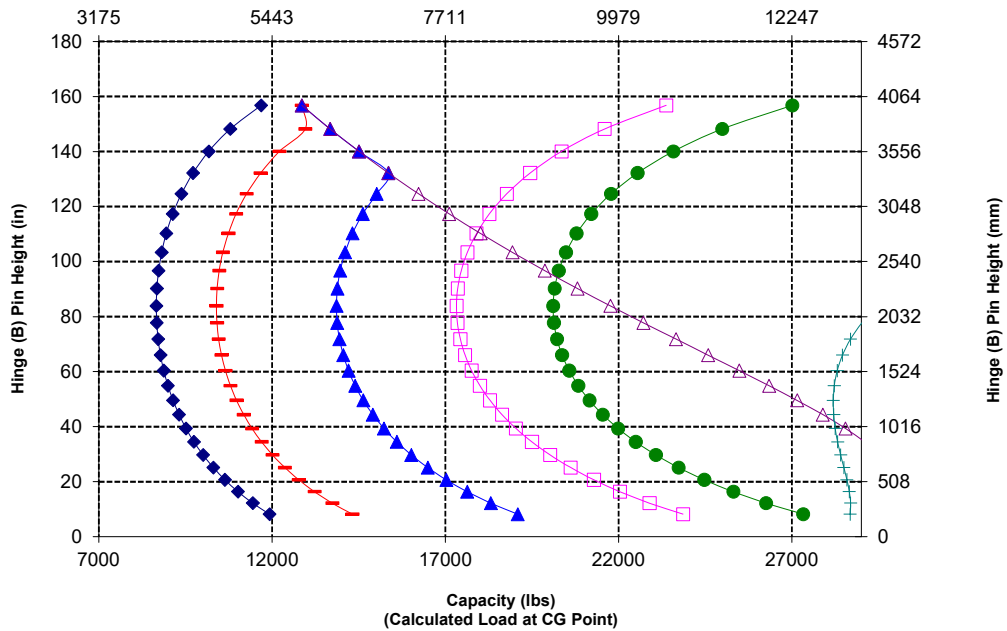
### 950 AUX Construction Fork, FUSION

96" Carriage 72" Tine  
520-7957 520-7979

\*Build 14A  
\*Z-Bar Linkage  
\*Auxiliary CTWT Configuration



Capacity (kg)  
(Calculated Load at CG Point)



**NOTE:** Static tipping loads and operating weight are based on the following loader configuration: Bridgestone VJT L3 Tires, Air Conditioning, Ride Control, Powertrain Guard, Full Fluids, Fuel Tank, Coolant, Lubricants, and Operator.

Specifications and ratings conform to the following standards: SAE\* J1197, ISO 14397-1, CEN\*\* EN 474-3.

The rated operating load for a loader equipped with a pallet fork is determined by:  
SAE J1197: 50% of full turn static tipping load or hydraulic limit.  
CEN EN 474-3: 60% of full turn static tipping load on rough terrain or hydraulic limit.  
CEN EN 474-3: 80% of full turn static tipping load on firm and level ground or hydraulic limit.

\*SAE - Society of Automotive Engineers

\*\*CEN - European Committee for Standardization



**WARNING:** Do not exceed tine load capacity. Individual tine capacity is stamped on the side of each tine.

# 950 Wheel Loader Specifications

## Fork Specifications

### Fork Specifications

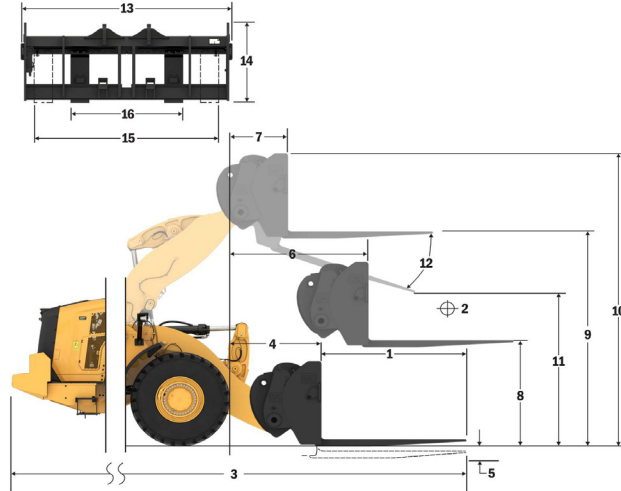
1	Tine Length	mm	2134
		in	84.0
2	Load Center	mm	1067
		in	42.0
	Static Tipping Load - Straight (Forks Level)	kg	8664
		lbs	19095
	Static Tipping Load - Articulated (Forks Level)	kg	7453
		lbs	16428
	Rated Load (SAE J1197 - 50% FTSTL)	kg	3727
		lbs	8214
	Rated Load (CEN EN 474-3 Rough Terrain - 60% FTSTL)	kg	4472
		lbs	9857
	Rated Load (CEN EN 474-3 Firm and Level Ground - 80% FTSTL)	kg	5159
		lbs	11370
3	Maximum Overall Length	mm	9485
		in	373.4
4	Reach with Forks at Ground Level	mm	1124
		in	44.2
5	*Ground to Bottom of Tine at Minimum Height and Fork Level	mm	-88
		in	-3.5
6	Reach with Arms Horizontal and Forks Level	mm	1675
		in	66.0
7	Reach with Fork at Maximum Height	mm	903
		in	35.6
8	Ground to Top of Tine with Arms Horizontal and Fork Level	mm	1847
		in	72.7
9	Ground to Top of Tine at Maximum Height and Fork Level	mm	3776
		in	148.7
10	Overall Height of Fork at Full Lift (top of carriage to ground)	mm	4816
		in	189.6
11	Clearance at Full Lift and Max Dump	mm	1723
		in	67.8
12	Max Discharge Angle from Horizontal	deg	55
13	Overall Carriage Width	mm	2528
		in	99.5
14	Overall Carriage Height	mm	1130
		in	44.5
15	Outside Tine Width (max spread)	mm	2178
		in	85.7
16	Outside Tine Width (min spread)	mm	576
		in	22.7
	Tine Width (single tine)	mm	180.0
		in	7.1
	Tine Thickness	mm	90.0
		in	3.5
	Tine Capacity	kg	12700
		lbs	27991
	Operating Weight	kg	18756
		lbs	41339

\*Negative values indicate below grade

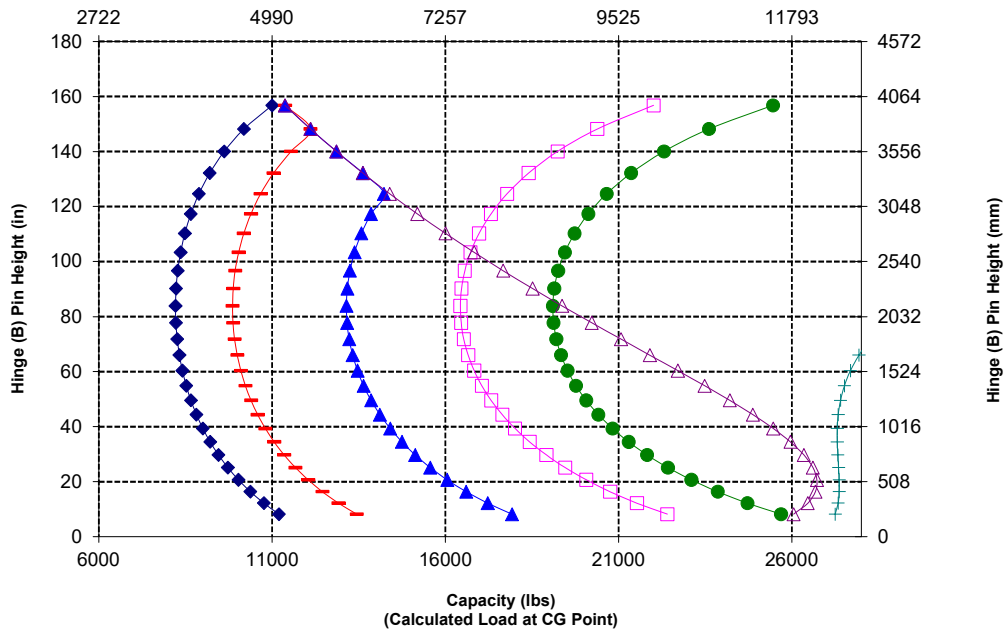
## 950 AUX Construction Fork, FUSION

96" Carriage 84" Tine  
520-7957 520-7986

\*Build 14A  
\*Z-Bar Linkage  
\*Auxiliary CTWT Configuration



Capacity (kg)  
(Calculated Load at CG Point)



**NOTE:** Static tipping loads and operating weight are based on the following loader configuration: Bridgestone VJT L3 Tires, Air Conditioning, Ride Control, Powertrain Guard, Full Fluids, Fuel Tank, Coolant, Lubricants, and Operator.

Specifications and ratings conform to the following standards: SAE\* J1197, ISO 14397-1, CEN\*\* EN 474-3.

The rated operating load for a loader equipped with a pallet fork is determined by:  
SAE J1197: 50% of full turn static tipping load or hydraulic limit.  
CEN EN 474-3: 60% of full turn static tipping load on rough terrain or hydraulic limit.  
CEN EN 474-3: 80% of full turn static tipping load on firm and level ground or hydraulic limit.

\*SAE - Society of Automotive Engineers

\*\*CEN - European Committee for Standardization



**WARNING:** Do not exceed tine load capacity. Individual tine capacity is stamped on the side of each tine.

# 950 Wheel Loader Specifications

## Fork Specifications

### Fork Specifications

1	Tine Length	mm	2438
		in	96.0
2	Load Center	mm	1219
		in	48.0
	Static Tipping Load - Straight (Forks Level)	kg	8241
		lbs	18164
	Static Tipping Load - Articulated (Forks Level)	kg	7080
		lbs	15605
	Rated Load (SAE J1197 - 50% FTSTL)	kg	3540
		lbs	7802
	Rated Load (CEN EN 474-3 Rough Terrain - 60% FTSTL)	kg	4248
		lbs	9363
	Rated Load (CEN EN 474-3 Firm and Level Ground - 80% FTSTL)	kg	4604
		lbs	10146
3	Maximum Overall Length	mm	9789
		in	385.4
4	Reach with Forks at Ground Level	mm	1124
		in	44.2
5	*Ground to Bottom of Tine at Minimum Height and Fork Level	mm	-88
		in	-3.5
6	Reach with Arms Horizontal and Forks Level	mm	1675
		in	66.0
7	Reach with Fork at Maximum Height	mm	903
		in	35.6
8	Ground to Top of Tine with Arms Horizontal and Fork Level	mm	1847
		in	72.7
9	Ground to Top of Tine at Maximum Height and Fork Level	mm	3776
		in	148.7
10	Overall Height of Fork at Full Lift (top of carriage to ground)	mm	4816
		in	189.6
11	Clearance at Full Lift and Max Dump	mm	1476
		in	58.1
12	Max Discharge Angle from Horizontal	deg	55
13	Overall Carriage Width	mm	2528
		in	99.5
14	Overall Carriage Height	mm	1130
		in	44.5
15	Outside Tine Width (max spread)	mm	2178
		in	85.7
16	Outside Tine Width (min spread)	mm	576
		in	22.7
	Tine Width (single tine)	mm	180.0
		in	7.1
	Tine Thickness	mm	90.0
		in	3.5
	Tine Capacity	kg	11300
		lbs	24905
	Operating Weight	kg	18818
		lbs	41476

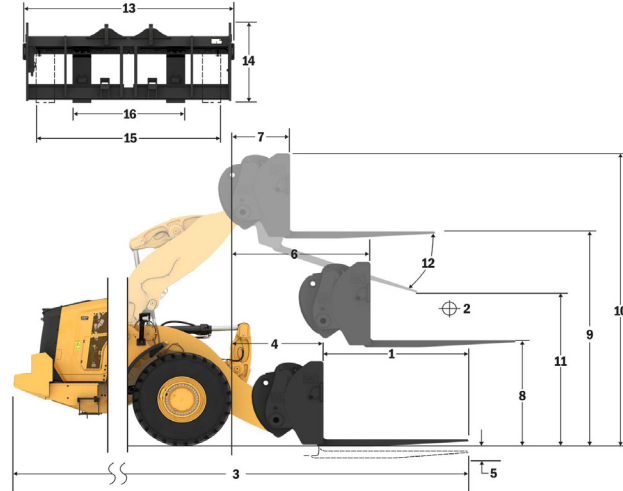
\*Negative values indicate below grade

### 950 AUX Construction Fork, FUSION

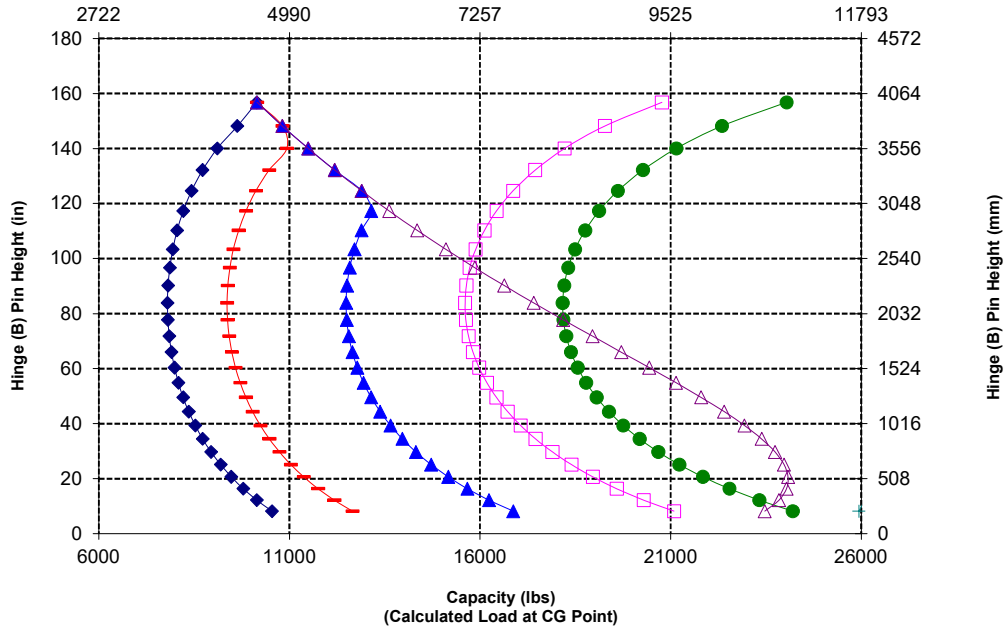
96" Carriage  
520-7957

96" Tine  
520-7981

\*Build 14A  
\*Z-Bar Linkage  
\*Auxiliary CTWT Configuration



Capacity (kg)  
(Calculated Load at CG Point)



**WARNING:** Do not exceed tine load capacity. Individual tine capacity is stamped on the side of each tine.

# 950 Wheel Loader Specifications

## Fork Specifications

### Fork Specifications

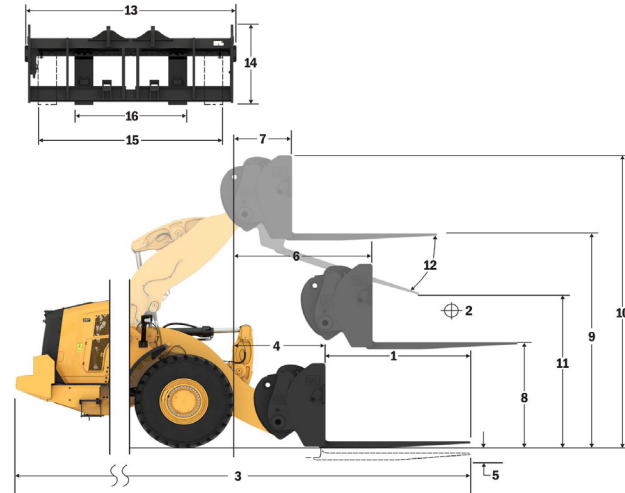
1	Tine Length	mm	1219
		in	48.0
2	Load Center	mm	610
		in	24.0
	Static Tipping Load - Straight (Forks Level)	kg	10112
		lbs	22287
	Static Tipping Load - Articulated (Forks Level)	kg	8725
		lbs	19230
	Rated Load (SAE J1197 - 50% FTSTL)	kg	4363
		lbs	9615
	Rated Load (CEN EN 474-3 Rough Terrain - 60% FTSTL)	kg	5235
		lbs	11538
	Rated Load (CEN EN 474-3 Firm and Level Ground - 80% FTSTL)	kg	6980
		lbs	15384
3	Maximum Overall Length	mm	8570
		in	337.4
4	Reach with Forks at Ground Level	mm	1123
		in	44.2
5	*Ground to Bottom of Tine at Minimum Height and Fork Level	mm	-88
		in	-3.5
6	Reach with Arms Horizontal and Forks Level	mm	1675
		in	65.9
7	Reach with Fork at Maximum Height	mm	903
		in	35.6
8	Ground to Top of Tine with Arms Horizontal and Fork Level	mm	1847
		in	72.7
9	Ground to Top of Tine at Maximum Height and Fork Level	mm	3776
		in	148.7
10	Overall Height of Fork at Full Lift (top of carriage to ground)	mm	4816
		in	189.6
11	Clearance at Full Lift and Max Dump	mm	2468
		in	97.2
12	Max Discharge Angle from Horizontal	deg	55
13	Overall Carriage Width	mm	2833
		in	111.5
14	Overall Carriage Height	mm	1130
		in	44.5
15	Outside Tine Width (max spread)	mm	2493
		in	98.1
16	Outside Tine Width (min spread)	mm	590
		in	23.2
	Tine Width (single tine)	mm	180.0
		in	7.1
	Tine Thickness	mm	90.0
		in	3.5
	Tine Capacity	kg	22200
		lbs	48929
	Operating Weight	kg	18619
		lbs	41037

\*Negative values indicate below grade

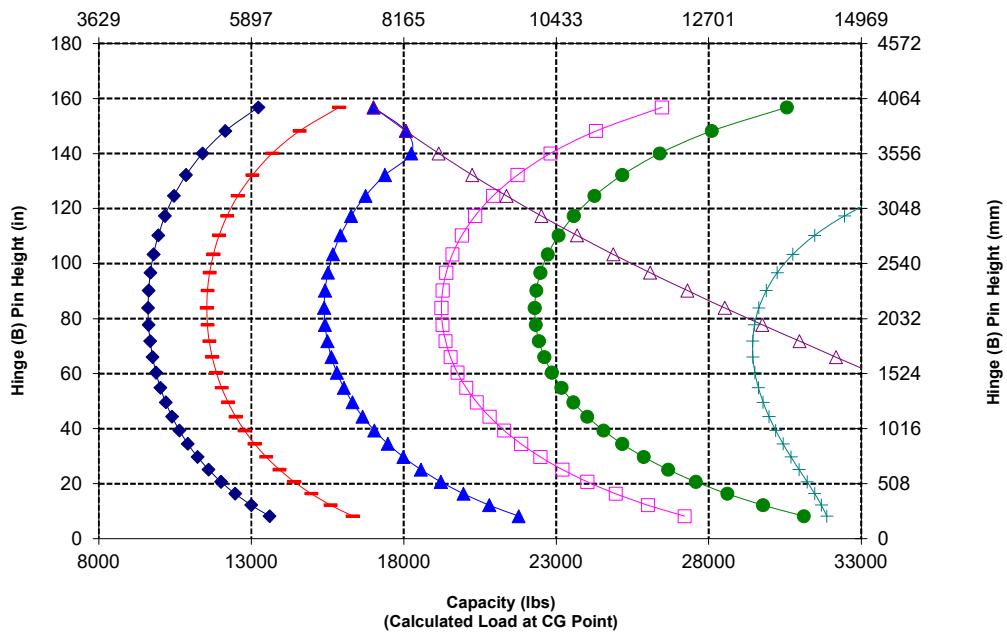
### 950 AUX Construction Fork, FUSION

108" Carriage 48" Tine  
520-7968 520-7985

\*Build 14A  
\*Z-Bar Linkage  
\*Auxiliary CTWT Configuration



Capacity (kg)  
(Calculated Load at CG Point)



**NOTE:** Static tipping loads and operating weight are based on the following loader configuration: Bridgestone VJT L3 Tires, Air Conditioning, Ride Control, Powertrain Guard, Full Fluids, Fuel Tank, Coolant, Lubricants, and Operator.

Specifications and ratings conform to the following standards: SAE\* J1197, ISO 14397-1, CEN\*\* EN 474-3.

The rated operating load for a loader equipped with a pallet fork is determined by:  
SAE J1197: 50% of full turn static tipping load or hydraulic limit.  
CEN EN 474-3: 60% of full turn static tipping load on rough terrain or hydraulic limit.  
CEN EN 474-3: 80% of full turn static tipping load on firm and level ground or hydraulic limit.

\*SAE - Society of Automotive Engineers

\*\*CEN - European Committee for Standardization



**WARNING:** Do not exceed tine load capacity. Individual tine capacity is stamped on the side of each tine.



# 950 Wheel Loader Specifications

## Fork Specifications

### Fork Specifications

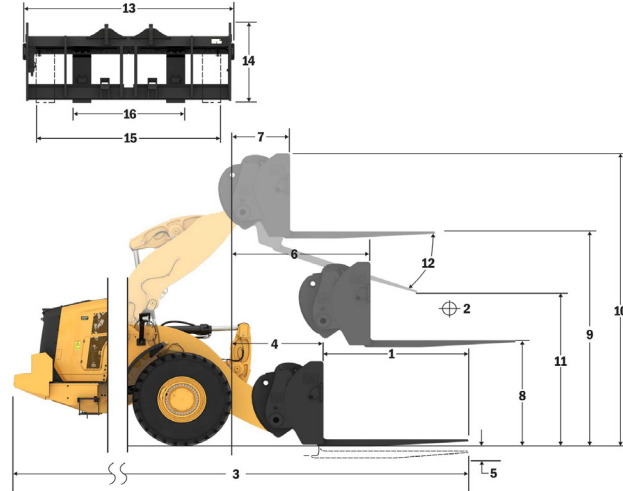
1	Tine Length	mm	1524
		in	60.0
2	Load Center	mm	762
		in	30.0
	Static Tipping Load - Straight (Forks Level)	kg	9579
		lbs	21113
	Static Tipping Load - Articulated (Forks Level)	kg	8256
		lbs	18197
	Rated Load (SAE J1197 - 50% FTSTL)	kg	4128
		lbs	9098
	Rated Load (CEN EN 474-3 Rough Terrain - 60% FTSTL)	kg	4954
		lbs	10918
	Rated Load (CEN EN 474-3 Firm and Level Ground - 80% FTSTL)	kg	6605
		lbs	14558
3	Maximum Overall Length	mm	8875
		in	349.4
4	Reach with Forks at Ground Level	mm	1124
		in	44.2
5	*Ground to Bottom of Tine at Minimum Height and Fork Level	mm	-88
		in	-3.5
6	Reach with Arms Horizontal and Forks Level	mm	1675
		in	66.0
7	Reach with Fork at Maximum Height	mm	903
		in	35.6
8	Ground to Top of Tine with Arms Horizontal and Fork Level	mm	1847
		in	72.7
9	Ground to Top of Tine at Maximum Height and Fork Level	mm	3776
		in	148.7
10	Overall Height of Fork at Full Lift (top of carriage to ground)	mm	4816
		in	189.6
11	Clearance at Full Lift and Max Dump	mm	2220
		in	87.4
12	Max Discharge Angle from Horizontal	deg	55
13	Overall Carriage Width	mm	2833
		in	111.5
14	Overall Carriage Height	mm	1130
		in	44.5
15	Outside Tine Width (max spread)	mm	2483
		in	97.8
16	Outside Tine Width (min spread)	mm	590
		in	23.2
	Tine Width (single tine)	mm	180.0
		in	7.1
	Tine Thickness	mm	90.0
		in	3.5
	Tine Capacity	kg	17800
		lbs	39231
	Operating Weight	kg	18681
		lbs	41174

\*Negative values indicate below grade

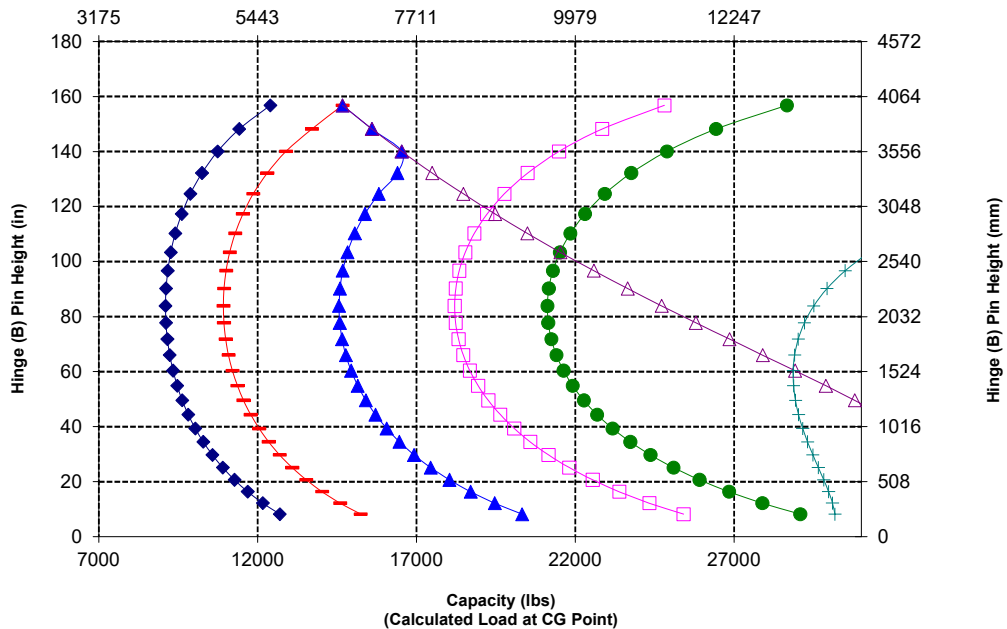
### 950 AUX Construction Fork, FUSION

108" Carriage 60" Tine  
520-7968 520-7980

\*Build 14A  
\*Z-Bar Linkage  
\*Auxiliary CTWT Configuration



Capacity (kg)  
(Calculated Load at CG Point)



**WARNING:** Do not exceed tine load capacity. Individual tine capacity is stamped on the side of each tine.

# 950 Wheel Loader Specifications

## Fork Specifications

### Fork Specifications

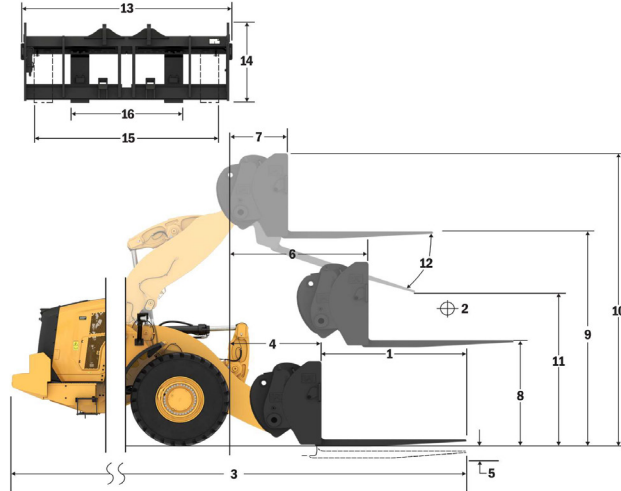
1	Tine Length	mm	1829
		in	72.0
2	Load Center	mm	915
		in	36.0
	Static Tipping Load - Straight (Forks Level)	kg	9087
		lbs	20028
	Static Tipping Load - Articulated (Forks Level)	kg	7823
		lbs	17242
	Rated Load (SAE J1197 - 50% FTSTL)	kg	3911
		lbs	8621
	Rated Load (CEN EN 474-3 Rough Terrain - 60% FTSTL)	kg	4694
		lbs	10345
	Rated Load (CEN EN 474-3 Firm and Level Ground - 80% FTSTL)	kg	5824
		lbs	12836
3	Maximum Overall Length	mm	9180
		in	361.4
4	Reach with Forks at Ground Level	mm	1124
		in	44.2
5	*Ground to Bottom of Tine at Minimum Height and Fork Level	mm	-88
		in	-3.5
6	Reach with Arms Horizontal and Forks Level	mm	1675
		in	66.0
7	Reach with Fork at Maximum Height	mm	903
		in	35.6
8	Ground to Top of Tine with Arms Horizontal and Fork Level	mm	1847
		in	72.7
9	Ground to Top of Tine at Maximum Height and Fork Level	mm	3776
		in	148.7
10	Overall Height of Fork at Full Lift (top of carriage to ground)	mm	4816
		in	189.6
11	Clearance at Full Lift and Max Dump	mm	1972
		in	77.6
12	Max Discharge Angle from Horizontal	deg	55
13	Overall Carriage Width	mm	2833
		in	111.5
14	Overall Carriage Height	mm	1130
		in	44.5
15	Outside Tine Width (max spread)	mm	2483
		in	97.8
16	Outside Tine Width (min spread)	mm	590
		in	23.2
	Tine Width (single tine)	mm	180.0
		in	7.1
	Tine Thickness	mm	90.0
		in	3.5
	Tine Capacity	kg	14800
		lbs	32619
	Operating Weight	kg	18743
		lbs	41310

\*Negative values indicate below grade

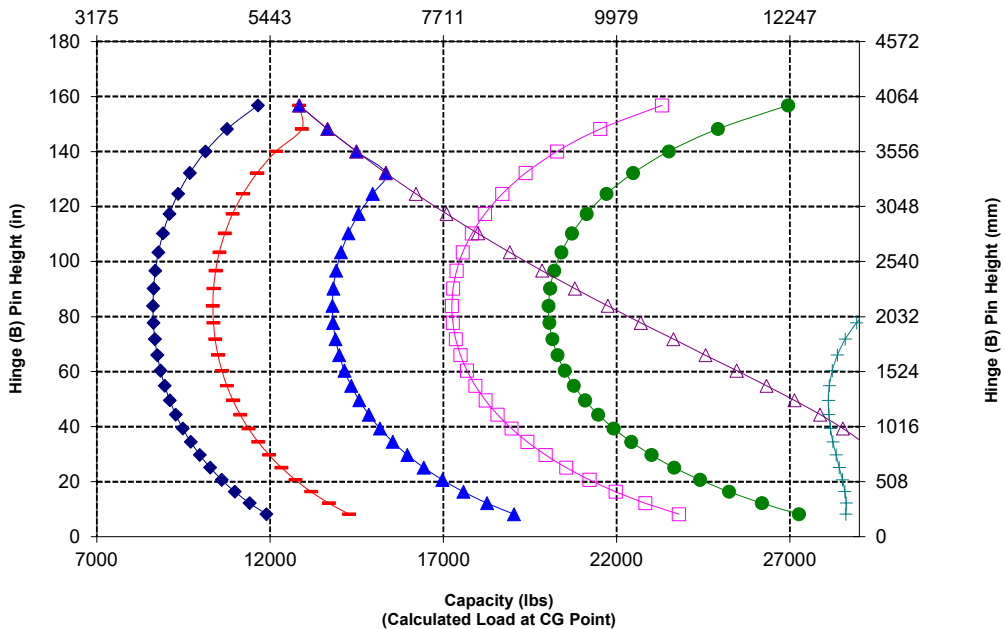
## 950 AUX Construction Fork, FUSION

108" Carriage 72" Tine  
520-7968 520-7979

\*Build 14A  
\*Z-Bar Linkage  
\*Auxiliary CTWT Configuration



Capacity (kg)  
(Calculated Load at CG Point)



**NOTE:** Static tipping loads and operating weight are based on the following loader configuration: Bridgestone VJT L3 Tires, Air Conditioning, Ride Control, Powertrain Guard, Full Fluids, Fuel Tank, Coolant, Lubricants, and Operator.

Specifications and ratings conform to the following standards: SAE\* J1197, ISO 14397-1, CEN\*\* EN 474-3.

The rated operating load for a loader equipped with a pallet fork is determined by:  
SAE J1197: 50% of full turn static tipping load or hydraulic limit.  
CEN EN 474-3: 60% of full turn static tipping load on rough terrain or hydraulic limit.  
CEN EN 474-3: 80% of full turn static tipping load on firm and level ground or hydraulic limit.

\*SAE - Society of Automotive Engineers

\*\*CEN - European Committee for Standardization



**WARNING:** Do not exceed tine load capacity. Individual tine capacity is stamped on the side of each tine.

# 950 Wheel Loader Specifications

## Fork Specifications

### Fork Specifications

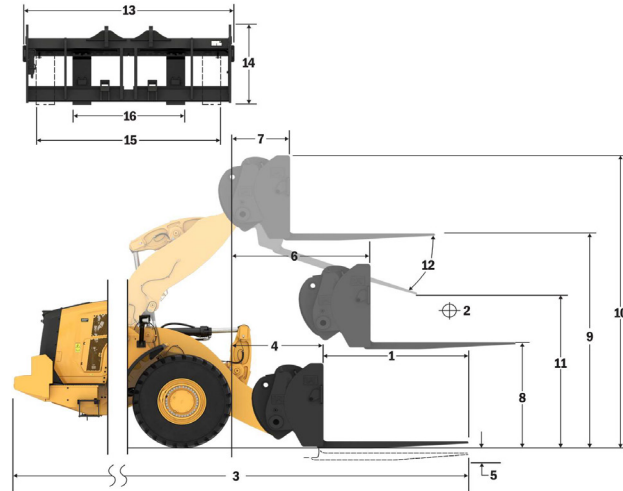
1	Tine Length	mm	2134
		in	84.0
2	Load Center	mm	1067
		in	42.0
	Static Tipping Load - Straight (Forks Level)	kg	8632
		lbs	19025
	Static Tipping Load - Articulated (Forks Level)	kg	7422
		lbs	16357
	Rated Load (SAE J1197 - 50% FTSTL)	kg	3711
		lbs	8179
	Rated Load (CEN EN 474-3 Rough Terrain - 60% FTSTL)	kg	4453
		lbs	9814
	Rated Load (CEN EN 474-3 Firm and Level Ground - 80% FTSTL)	kg	5152
		lbs	11355
3	Maximum Overall Length	mm	9485
		in	373.4
4	Reach with Forks at Ground Level	mm	1124
		in	44.2
5	*Ground to Bottom of Tine at Minimum Height and Fork Level	mm	-88
		in	-3.5
6	Reach with Arms Horizontal and Forks Level	mm	1675
		in	66.0
7	Reach with Fork at Maximum Height	mm	903
		in	35.6
8	Ground to Top of Tine with Arms Horizontal and Fork Level	mm	1847
		in	72.7
9	Ground to Top of Tine at Maximum Height and Fork Level	mm	3776
		in	148.7
10	Overall Height of Fork at Full Lift (top of carriage to ground)	mm	4816
		in	189.6
11	Clearance at Full Lift and Max Dump	mm	1723
		in	67.8
12	Max Discharge Angle from Horizontal	deg	55
13	Overall Carriage Width	mm	2833
		in	111.5
14	Overall Carriage Height	mm	1130
		in	44.5
15	Outside Tine Width (max spread)	mm	2483
		in	97.8
16	Outside Tine Width (min spread)	mm	590
		in	23.2
	Tine Width (single tine)	mm	180.0
		in	7.1
	Tine Thickness	mm	90.0
		in	3.5
	Tine Capacity	kg	12700
		lbs	27991
	Operating Weight	kg	18805
		lbs	41447

\*Negative values indicate below grade

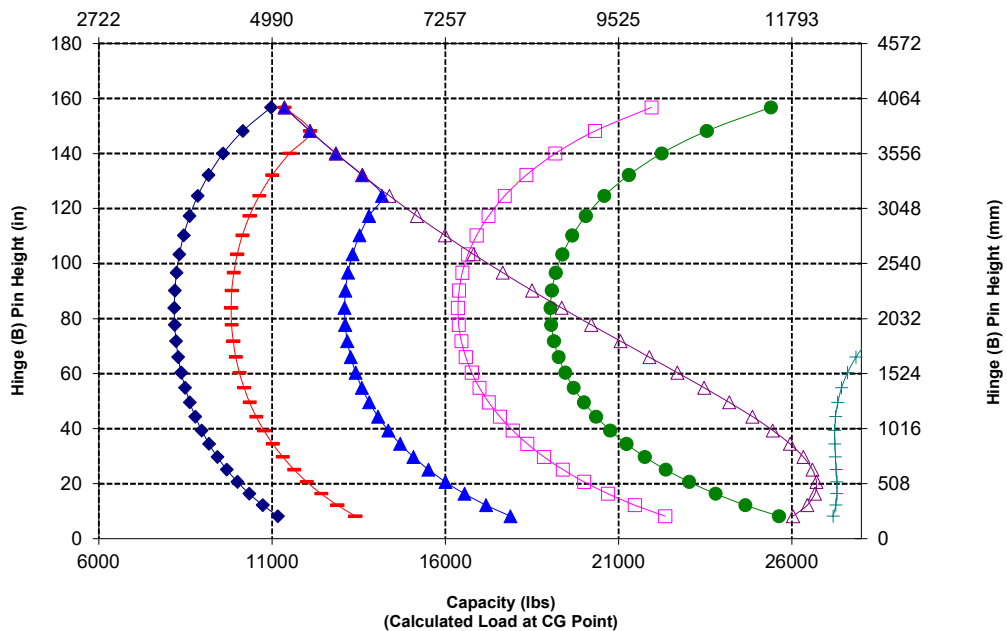
### 950 AUX Construction Fork, FUSION

108" Carriage 84" Tine  
520-7968 520-7986

\*Build 14A  
\*Z-Bar Linkage  
\*Auxiliary CTWT Configuration



Capacity (kg)  
(Calculated Load at CG Point)



**WARNING:** Do not exceed tine load capacity. Individual tine capacity is stamped on the side of each tine.

# 950 Wheel Loader Specifications

## Fork Specifications

### Fork Specifications

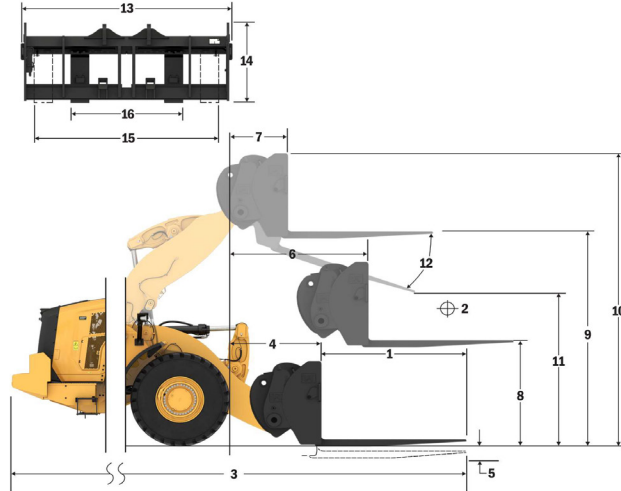
1	Tine Length	mm	2438
		in	96.0
2	Load Center	mm	1219
		in	48.0
	Static Tipping Load - Straight (Forks Level)	kg	8210
		lbs	18094
	Static Tipping Load - Articulated (Forks Level)	kg	7049
		lbs	15535
	Rated Load (SAE J1197 - 50% FTSTL)	kg	3524
		lbs	7768
	Rated Load (CEN EN 474-3 Rough Terrain - 60% FTSTL)	kg	4229
		lbs	9321
	Rated Load (CEN EN 474-3 Firm and Level Ground - 80% FTSTL)	kg	4597
		lbs	10132
3	Maximum Overall Length	mm	9789
		in	385.4
4	Reach with Forks at Ground Level	mm	1124
		in	44.2
5	*Ground to Bottom of Tine at Minimum Height and Fork Level	mm	-88
		in	-3.5
6	Reach with Arms Horizontal and Forks Level	mm	1675
		in	66.0
7	Reach with Fork at Maximum Height	mm	903
		in	35.6
8	Ground to Top of Tine with Arms Horizontal and Fork Level	mm	1847
		in	72.7
9	Ground to Top of Tine at Maximum Height and Fork Level	mm	3776
		in	148.7
10	Overall Height of Fork at Full Lift (top of carriage to ground)	mm	4816
		in	189.6
11	Clearance at Full Lift and Max Dump	mm	1476
		in	58.1
12	Max Discharge Angle from Horizontal	deg	55
13	Overall Carriage Width	mm	2833
		in	111.5
14	Overall Carriage Height	mm	1130
		in	44.5
15	Outside Tine Width (max spread)	mm	2483
		in	97.8
16	Outside Tine Width (min spread)	mm	590
		in	23.2
	Tine Width (single tine)	mm	180.0
		in	7.1
	Tine Thickness	mm	90.0
		in	3.5
	Tine Capacity	kg	11300
		lbs	24905
	Operating Weight	kg	18868
		lbs	41586

\*Negative values indicate below grade

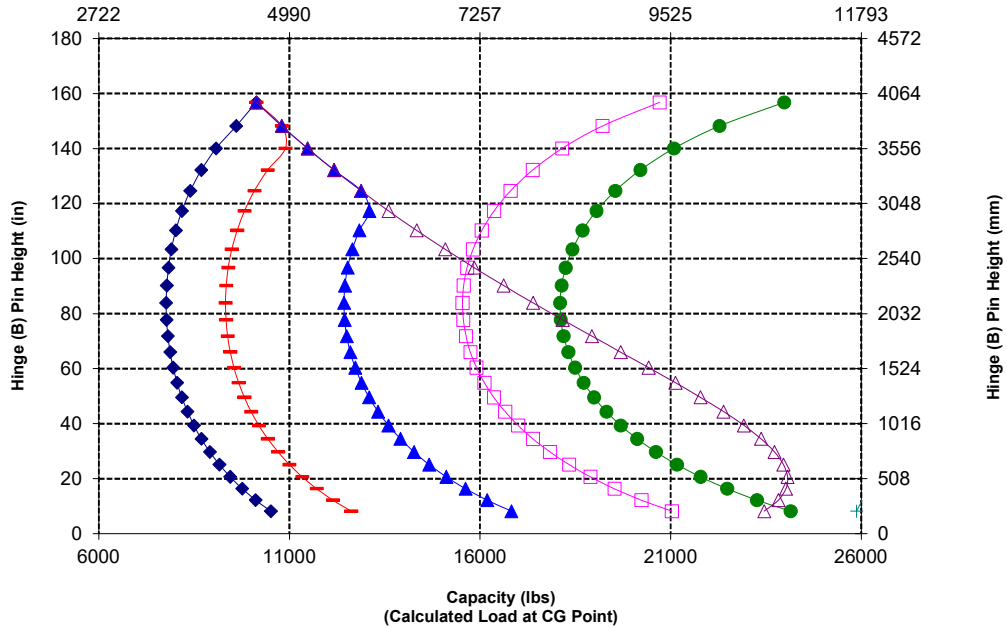
### 950 AUX Construction Fork, FUSION

108" Carriage 96" Tine  
520-7968 520-7981

\*Build 14A  
\*Z-Bar Linkage  
\*Auxiliary CTWT Configuration



Capacity (kg)  
(Calculated Load at CG Point)



**WARNING:** Do not exceed tine load capacity. Individual tine capacity is stamped on the side of each tine.

## Material Handling Specifications

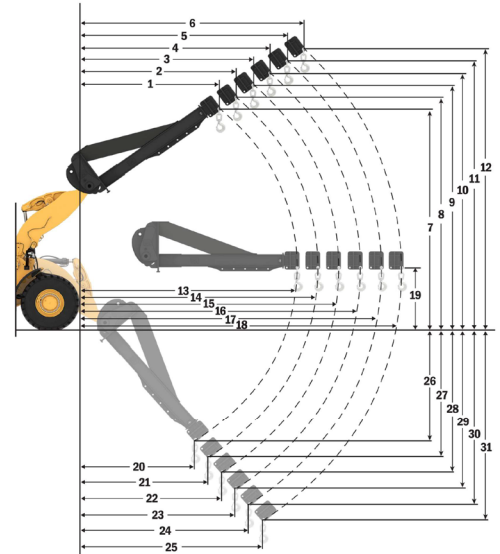
### 950 AUX

289-9885

Material Handling Arm, FUSION

6 Position

- \*Build 14A
- \*Z-Bar Linkage
- \*Auxiliary CTWT Configuration



#### MHA Specifications

	Retracted	Extension 1	Extension 2	Extension 3	Extension 4	Extended
Max Lift - Hook Eyelet Reach (1, 2, 3, 4, 5, 6)	mm 2,103	2,234	2,365	2,495	2,626	2,757
	ft. in 6' 10"	7' 3"	7' 9"	8' 2"	8' 7"	9' 0"
Max Lift - Hook Eyelet Height (7, 8, 9, 10, 11, 12)	mm 6,854	7,129	7,405	7,680	7,955	8,231
	ft. in 22' 5"	23' 4"	24' 3"	25' 2"	26' 1"	27' 0"
Level - Hook Eyelet Reach (13, 14, 15, 16, 17, 18)	mm 4,540	4,845	5,150	5,454	5,759	6,064
	ft. in 14' 10"	15' 10"	16' 10"	17' 10"	18' 10"	19' 10"
Level - Hook Eyelet Height (19)	mm 1,813	1,813	1,813	1,813	1,813	1,813
	ft. in 5' 11.3"	5' 11.3"	5' 11.3"	5' 11.3"	5' 11.3"	5' 11.3"
Min Lift - Hook Eyelet Reach (20, 21, 22, 23, 24, 25)	mm 1,315	1,407	1,499	1,591	1,683	1,774
	ft. in 4' 3"	4' 7"	4' 11"	5' 2"	5' 6"	5' 9"
Min Lift - Hook Eyelet Height (26, 27, 28, 29, 30, 31)	mm (3,004)	(3,295)	(3,585)	(3,876)	(4,167)	(4,457)
	ft. in -9' 1"	-10' 2"	-11' 2"	-12' 3"	-13' 3"	-14' 4"
Static Tipping Load, Straight	kg 6,074	5,740	5,439	5,168	4,921	4,696
	lb 13,388	12,650	11,988	11,390	10,846	10,351
Static Tipping Load, Articulated	kg 5,274	4,982	4,720	4,484	4,269	4,073
	lb 11,623	10,981	10,404	9,883	9,409	8,977
Operating Weight	kg 18,015	18,015	18,015	18,015	18,015	18,015
	lb 39,706	39,706	39,706	39,706	39,706	39,706

- Retracted
- Extension 1
- Extension 2
- Extension 3
- Extension 4
- Extended

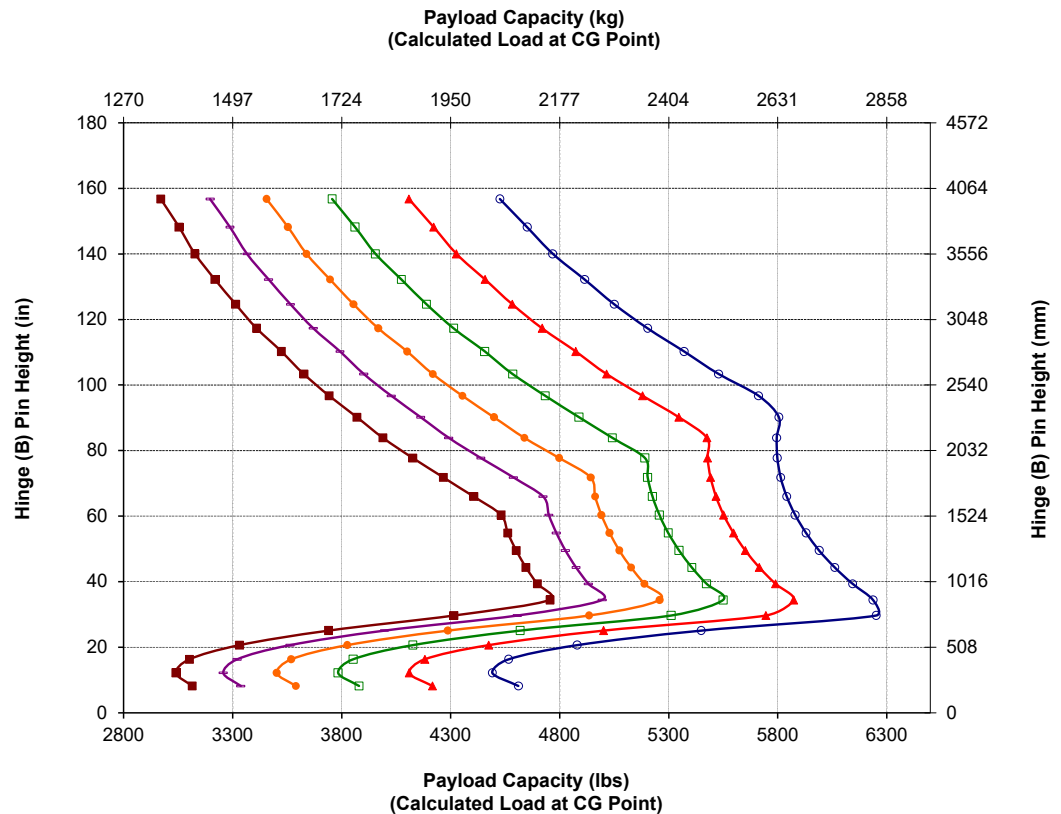
**NOTE:** Static tipping loads and operating weight are based on the following loader configuration: Bridgestone VJT L3 Tires, Air Conditioning, Ride Control, Powertrain Guard, Full Fluids, Fuel Tank, Coolant, Lubricants, and Operator.

Specifications and ratings conform to the following standards: SAE\* J1197, ISO 14397-1

The rated operating load for a loader equipped with a material handling arm is determined by:

SAE J1197: 50% of full turn static tipping load or hydraulic limit.

\*SAE - Society of Automotive Engineers



# 950 Wheel Loader Specifications

## Standard and Optional Equipment

Standard and optional equipment may vary. Consult your Cat dealer for details.

	Standard	Optional		Standard	Optional
<b>POWERTRAIN</b>			<b>OPERATOR ENVIRONMENT</b>		
Cat® C7.1 engine	✓		Cab, pressurized, sound suppression	✓	
Electric fuel priming pump	✓		Door, remote opening system**		✓
Fuel-water separator and secondary fuel filter	✓		EH implement controls, parking brake	✓	
Engine, air precleaner	✓		HMU steering wheel	✓	
Turbine, air precleaner		✓	Steering, joystick		✓
Radiator, high debris		✓	Entertainment radio		✓
Cooling fan, reversible		✓	CB radio ready		✓
Axles, open/open differentials**	✓		Seat, cloth, air suspension	✓	
Axles, manual front locks**	✓		Seat, suede/cloth, air suspension, heated		✓
Axles, auto differential locks front and rear**	✓		Seat, leather/cloth, air suspension, heated/cooled		✓
Axles, ecology drains, AOC ready, extreme temperature seals		✓	Touchscreen display	✓	
Axles, oil cooler		✓	Visibility: mirrors, rearview camera	✓	
Transmission, countershaft, automatic powershift	✓		Multiview (360°) vision system		✓
Torque converter with lock-up	✓		Cat Detect rear radar system		✓
Service brakes, hydraulic, fully enclosed wet disc, wear indicators, integrated braking system (IBS)	✓		Dedicated rearview screen		✓
Park brake, caliper on front axles, spring applied–pressure released	✓		Mirrors, heated		✓
<b>ONBOARD TECHNOLOGIES</b>			Air conditioner, heater, defroster (auto temp, fan)	✓	
Cat Payload scale	✓		Sun visor, front, retractable	✓	
Autodig with auto set tires	✓		Sun visor, rear, retractable		✓
Operator ID and machine security	✓		Window cleaning platform, front**	✓	
Application profiles	✓		Windows, front, laminated	✓	
Job aids	✓		Windows, front, heavy duty		✓
Controls help and eOMM	✓		Full cab window guard		✓
Cat Advanced Payload		✓			
Cat Payload printer		✓			

(continued on next page)

# 950 Wheel Loader Specifications

## Standard and Optional Equipment *(continued)*

Standard and optional equipment may vary. Consult your Cat dealer for details.

	Standard	Optional		Standard	Optional
<b>ELECTRICAL</b>			<b>MONITORING SYSTEM</b>		
Starting and charging system, 24V	✓		Front dash with analog gauges, LCD display, and warning lights	✓	
Starter, electric, heavy duty	✓		Primary touchscreen monitor (Cat Payload, quad screens, machine settings and messages)	✓	
Cold start, 120V or 240V		✓	<b>ADDITIONAL EQUIPMENT</b>		
Lights: halogen, 4 work lights, 2 front tower lights, 2 rearview lights	✓		Cat Autolube system		✓
Lights: roading with turn signals		✓	Fenders, extensions or roading		✓
Lights: LED		✓	Guards: powertrain, crankcase, window glass, cylinders, rear		✓
Warning beacon		✓	Biodegradable hydraulic oil		✓
Reversing strobe lights		✓	High-speed oil change system		✓
<b>HYDRAULICS</b>			Rear cab access		✓
Implement system, load sensing with variable displacement piston pump	✓		Toolbox		✓
Steering system, load sensing with dedicated variable displacement piston pump	✓		Wheel chocks		✓
Ride control, dual accumulators**		✓	Secondary steering system, electrical**		✓
3 <sup>rd</sup> and 4 <sup>th</sup> auxiliary functions with ride control		✓	<b>SPECIAL CONFIGURATIONS*</b>		
Oil sampling valves, Cat XT™ hoses	✓		Auxiliary counterweight		✓
Quick coupler control		✓	Steel mill		✓
<b>LINKAGE</b>			Waste and industrial		✓
Standard lift, Z-bar	✓		Forestry		✓
High lift		✓	Corrosion resistant		✓
Kickouts: lift and tilt	✓		Tunneling***		✓

\* Not all configurations available in all regions, subject to availability.

\*\* Standard or optional depending on region. Consult your dealer.

\*\*\* Japan only.



# 950

## Waste & Scrap Handler

**The Cat 950 Wheel Loader Waste and Scrap Handler package features guarding and reinforcement necessary for work in transfer stations, recycling depots, scrap yards, and demolition sites.**

### Proven Reliability

- Cat C7.1 engine offers high power density with a combination of proven electronics, fuel, and air systems.
- Thorough component design and machine validation processes result in unmatched reliability and uptime.

### Durability

- Waste and scrap handler package adds additional steel guards all around the machine to protect your investment and keep debris out of the implement valve and engine compartments.
- Heavy-duty steel cable lower steps stand up to the harshest of conditions.
- Heavy-duty transmission and axles designed to handle waste and scrap applications.
- Automatic countershaft powershift (5F/3R) transmission features durable, long-lasting components.

### Achieve Greater Fuel Efficiency and Productivity

- Optional high lift linkage provides additional dump clearance.
- Optional 3rd and 4th valve hydraulics for work tools that require additional functions.
- Optional variable pitch fan and high debris cooling cores keep the cores free from debris.
- Five-speed transmission and lock-up clutch torque converter, powertrains deliver smooth shifting, fast acceleration, and speed on grade for greater performance and fuel efficiency.
- Deeply integrated engine, powertrain, and hydraulic systems deliver unmatched productivity and fuel efficiency.

### Safety Features

- Rear-vision camera enhances visibility behind the machine, helping you work safely and confidently.
- Cab access with wide door, optional remote door opening, and inclined steps add solid stability.
- Floor-to-ceiling windshield, large mirrors with integrated spot mirrors, and rear-vision camera provide industry leading all-around visibility.
- Monitored seat belt is standard and can be enhanced with an optional exterior indicator.

- Optional multiview (360°) vision system helps the operator monitor the surroundings of the machine at all times.
- Optional Cat Detect radar technology enhances awareness by monitoring the working environment and alerts operators to hazards.
- Optional access light and under-hood service light system to provide illuminated access to the machine and daily checks even in the dark.

### Reduced Maintenance Time and Costs

- Extended fluid and filter change intervals reduce maintenance costs by up to 35%.\*
- Optional turbine engine air precleaner improves air filter life.
- Remote Troubleshoot can connect the machine to the dealer service department to help diagnose problems quickly so you can get back to work.
- Remote Flash works around your schedule to ensure your machine's software is up to date for optimal performance.
- The Cat app helps you manage fleet location, hours, and maintenance schedules; it also alerts you for required maintenance and allows you to request service from your local Cat dealer.
- One-piece tilting hood makes engine compartment access fast and easy.
- Optional integrated autolube extends component and service life.

### Work in Comfort in the All New Cab

- Carbon cab air filter reduces cabin odors.
- Optional powered cabin precleaner filters the incoming air and pressurizes the cab.
- Next-generation, easily adjustable seat and suspension for improved operator comfort. It comes in three trim levels and can be equipped with a 4-point harness.
- New in-cab dashboard and high-resolution touch display(s) are easy to use, intuitive, and user friendly.
- Sound suppression, seals, and viscous cab mounts decrease noise and vibration for a quieter work environment.
- The standard hydraulic metering unit (HMU) steering wheel provides precision control, resulting in excellent comfort and accuracy. An optional seat-mounted electro-hydraulic joystick steering system (replaces the HMU steering wheel) is also available in many regions.

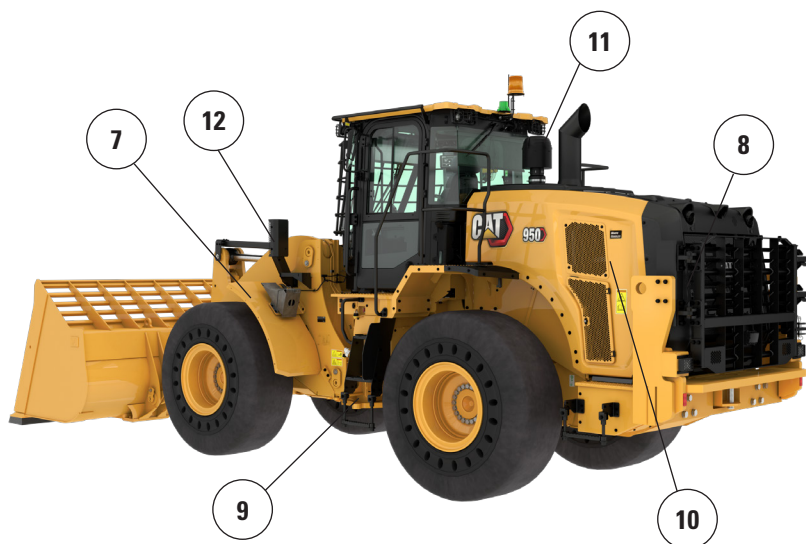
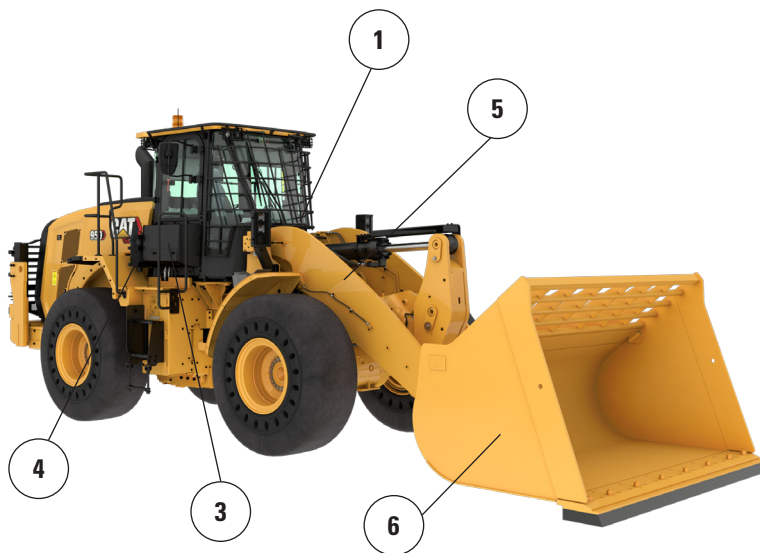
*\*Parts and fluids only.*



# 950 Waste & Scrap Handler Specifications

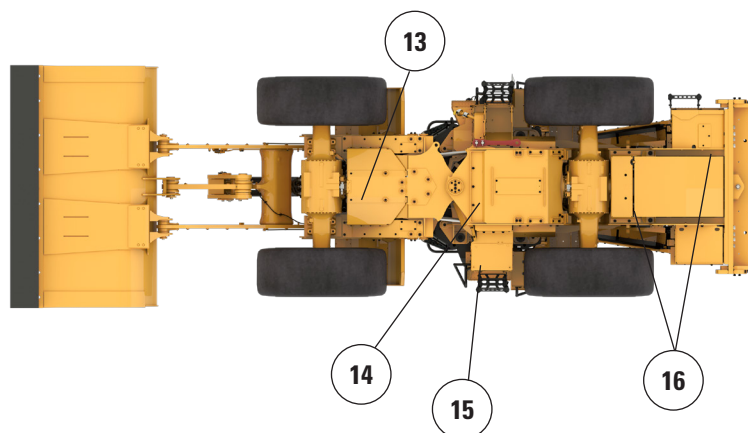
## 950 Waste and Scrap Handler Features

1. Optional window guarding to provide impact resistance to the glass
2. Added steel guards include crankcase, powertrain, front frame, hitch, steering cylinder, service center, cab, platform, implement valve cover, and tilt cylinder
3. Carbon cab air filter removes harsh odors
4. Optional powered cab precleaner helps to improve cab filter life and keeps the cab pressurized
5. Optional 3<sup>rd</sup> and 4<sup>th</sup> valve hydraulics available to control a large variety of work tools
6. Large line of Cat waste and scrap work tools



7. Narrow front steel fenders help to keep the windshield clean and are set inboard of the outer edge of the tire for added protection
8. Optional rear guard protects the rear grill and cooling package from impact
9. Heavy-duty steel cable lower steps stand up to the harshest conditions
10. Optional variable pitch fan and high debris cooling cores help to keep the cooling package clean
11. Optional turbine engine air precleaner with a trash screen option helps to extend engine air filter life
12. Front lights are guarded and positioned close to the frame for added protection

13. Lower front frame guard protects vital drivetrain components and keeps trash from getting in the front frame compartment
14. Powertrain guard protects the transmission and helps keep trash out of the engine compartment
15. Lower hydraulic service center guard protects the transmission filter and keeps trash out of the service center
16. Rear crankcase and platform guards keep trash and debris out



# 950 Waste & Scrap Handler Specifications

## Tire Options

Tire Brand	BRAWLER	BRAWLER	BRIDGESTONE	MAXAM	MICHELIN
Tire Size	23.5X25	23.5X25	23.5R25	23.5R25	23.5R25
Tread Type	N/A	N/A	L-3	L-3	L-3
Tread Pattern	SMOOTH	TRACTION	VJT	MS302	XHA2
Casing Strength	SOLID	SOLID	*	**	*
Width over Tires – Maximum (empty)*	2140 mm 7'1"	2140 mm 7'1"	2804 mm 9'3"	2825 mm 9'4"	2823 mm 9'4"
Width over Tires – Maximum (loaded)*	2140 mm 7'1"	2140 mm 7'1"	2825 mm 9'4"	2829 mm 9'4"	2830 mm 9'4"
Change in Vertical Dimensions (average of front and rear)		0 mm 0"	-71 mm -2.8"	-54 mm -2.1"	-61 mm -2.4"
Change in Horizontal Reach		0 mm 0"	15 mm 0.6"	1 mm 0"	9 mm 0.4"
Change in Clearance Circle to Outside of Tires		0 mm 0"	685 mm 27.0"	689 mm 27.1"	690 mm 27.2"
Change in Clearance Circle to Inside of Tires		0 mm 0"	-685 mm -27.0"	-689 mm -27.1"	-690 mm -27.2"
Change in Operating Weight (without ballast)		-144 kg -318 lb	-3208 kg -7,074 lb	-3208 kg -7,074 lb	-3364 kg -7,418 lb
Change in Static Tipping Load – Straight		-96 kg -212 lb	-2037 kg -4,492 lb	-2037 kg -4,492 lb	-2136 kg -4,710 lb
Change in Static Tipping Load – Articulated		-84 kg -185 lb	-1780 kg -3,926 lb	-1780 kg -3,926 lb	-1867 kg -4,117 lb
Rear Axle Oscillation Angle	±8 degrees	±8 degrees	±13 degrees	±13 degrees	±13 degrees
Maximum Single-Wheel Rise and Fall	298 mm 1'0"	298 mm 1'0"	481 mm 1'7"	481 mm 1'7"	481 mm 1'7"

\*Width over tire bulge and includes tire growth.

# 950 Waste & Scrap Handler Specifications

## Operating Specifications – Buckets

Linkage		Standard Linkage								
Bucket Type		General Purpose – Pin-On								
Edge Type		Bolt-On Cutting Edges	Teeth and Segments	Tips	Bolt-On Cutting Edges	Teeth and Segments	Tips	Bolt-On Cutting Edges	Teeth and Segments	Tips
Capacity – Rated	m <sup>3</sup>	2.70	2.70	2.50	3.10	3.10	2.90	3.30	3.30	3.10
	yd <sup>3</sup>	3.50	3.50	3.25	4.00	4.00	3.75	4.25	4.25	4.00
Capacity – Rated at 110% Fill Factor	m <sup>3</sup>	3.00	3.00	2.80	3.40	3.40	3.20	3.60	3.60	3.40
	yd <sup>3</sup>	4.00	4.00	3.75	4.50	4.50	4.25	4.75	4.75	4.50
Width	mm	2927	2994	2994	2927	2994	2994	2927	2994	2994
	ft/in	9'7"	9'9"	9'9"	9'7"	9'9"	9'9"	9'7"	9'9"	9'9"
<b>16</b> † Dump Clearance at Maximum Lift and 45° Discharge	mm	2989	2874	2874	2909	2791	2791	2870	2752	2752
	ft/in	9'9"	9'5"	9'5"	9'6"	9'1"	9'1"	9'5"	9'0"	9'0"
<b>17</b> † Reach at Maximum Lift and 45° Discharge	mm	1254	1368	1368	1310	1421	1421	1340	1450	1450
	ft/in	4'1"	4'5"	4'5"	4'3"	4'7"	4'7"	4'4"	4'9"	4'9"
Reach at Level Lift Arm and Bucket Level	mm	2518	2679	2679	2618	2779	2779	2668	2829	2829
	ft/in	8'3"	8'9"	8'9"	8'7"	9'1"	9'1"	8'9"	9'3"	9'3"
<b>A</b> † Digging Depth	mm	36	36	6	36	36	6	36	36	6
	in	1.4"	1.4"	0.2"	1.4"	1.4"	0.2"	1.4"	1.4"	0.2"
<b>12</b> † Overall Length	mm	8126	8301	8301	8226	8401	8401	8276	8451	8451
	ft/in	26'8"	27'3"	27'3"	27'0"	27'7"	27'7"	27'2"	27'9"	27'9"
<b>B</b> † Overall Height with Bucket at Maximum Lift	mm	5416	5416	5416	5378	5378	5378	5553	5553	5553
	ft/in	17'10"	17'10"	17'10"	17'8"	17'8"	17'8"	18'3"	18'3"	18'3"
Loader Clearance Circle Radius with Bucket at Carry Position	mm	6649	6731	6731	6676	6759	6759	6690	6773	6773
	ft/in	21'10"	22'1"	22'1"	21'11"	22'3"	22'3"	22'0"	22'3"	22'3"
Static Tipping Load, Straight (No tire deflection)	kg	17 285	17 145	17 460	17 085	16 944	17 253	16 979	16 837	17 139
	lb	38,107	37,800	38,493	37,667	37,355	38,037	37,432	37,119	37,785
Static Tipping Load, Articulated (No tire deflection)	kg	15 119	14 979	15 272	14 931	14 790	15 077	14 832	14 690	14 970
	lb	33,332	33,024	33,669	32,918	32,606	33,239	32,699	32,386	33,003
Breakout Force (§)	kN	166	165	182	152	151	165	146	145	158
	lbf	37,358	37,109	40,920	34,234	33,986	37,237	32,840	32,593	35,613
Operating Weight*	kg	22 148	22 256	22 099	22 237	22 345	22 188	22 282	22 390	22 233
	lb	48,827	49,065	48,719	49,023	49,261	48,915	49,123	49,361	49,015

\* Static tipping loads and operating weights shown are based on a machine configuration with Brawler 23.5X25 Smooth solid tires, full fluids, operator, cab precleaner, fabricated counterweight with rear guard (1460 kg), flat window glass with front guard, industrial package, ride control, standard starting, narrow fenders, turbine engine precleaner, Product Link, auto diff lock axles (front/rear), powertrain guard, standard steering, industrial sound suppression and variable pitch fan.

† Illustration shown with Dimension charts.

(§) Measured 100 mm (4") behind tip of cutting edge with bucket hinge pin as pivot point in accordance with ISO 14397-2:2007.

(With tire deflection) Full compliance to ISO 14397-1:2007 Sections 1 thru 6, which requires 2% verification between calculations and testing.

(No tire deflection) Compliance to ISO 14397-1:2007 Sections 1 thru 5.

Other buckets are available and offerings vary by region. Consult your local Cat dealer for further details.

# 950 Waste & Scrap Handler Specifications

## Operating Specifications – Buckets (continued)

Linkage		Standard Linkage					
Bucket Type		General Purpose – Pin-On					
Edge Type		Bolt-On Cutting Edges	Teeth and Segments	Tips	Bolt-On Cutting Edges	Teeth and Segments	Tips
Capacity – Rated	m <sup>3</sup>	3.40	3.40	3.20	3.60	3.60	3.40
	yd <sup>3</sup>	4.50	4.50	4.25	4.75	4.75	4.50
Capacity – Rated at 110% Fill Factor	m <sup>3</sup>	3.70	3.70	3.50	4.00	4.00	3.70
	yd <sup>3</sup>	4.75	4.75	4.50	5.25	5.25	4.75
Width	mm	2927	2994	2994	2927	2994	2994
	ft/in	9'7"	9'9"	9'9"	9'7"	9'9"	9'9"
16† Dump Clearance at Maximum Lift and 45° Discharge	mm	2844	2725	2725	2798	2679	2679
	ft/in	9'3"	8'11"	8'11"	9'2"	8'9"	8'9"
17† Reach at Maximum Lift and 45° Discharge	mm	1362	1472	1472	1398	1508	1508
	ft/in	4'5"	4'9"	4'9"	4'7"	4'11"	4'11"
Reach at Level Lift Arm and Bucket Level	mm	2703	2864	2864	2763	2924	2924
	ft/in	8'10"	9'4"	9'4"	9'0"	9'7"	9'7"
A† Digging Depth	mm	36	36	6	36	36	6
	in	1.4"	1.4"	0.2"	1.4"	1.4"	0.2"
12† Overall Length	mm	8311	8486	8486	8371	8546	8546
	ft/in	27'4"	27'11"	27'11"	27'6"	28'1"	28'1"
B† Overall Height with Bucket at Maximum Lift	mm	5582	5582	5582	5640	5640	5640
	ft/in	18'4"	18'4"	18'4"	18'7"	18'7"	18'7"
Loader Clearance Circle Radius with Bucket at Carry Position	mm	6700	6783	6783	6717	6800	6800
	ft/in	22'0"	22'4"	22'4"	22'1"	22'4"	22'4"
Static Tipping Load, Straight (No tire deflection)	kg	16 912	16 769	17 061	16 783	16 640	16 931
	lb	37,284	36,970	37,614	37,002	36,685	37,328
Static Tipping Load, Articulated (No tire deflection)	kg	14 769	14 626	14 897	14 648	14 505	14 775
	lb	32,560	32,245	32,843	32,294	31,978	32,573
Breakout Force (§)	kN	142	140	153	135	134	146
	lbf	31,924	31,677	34,550	30,449	30,202	32,849
Operating Weight*	kg	22 312	22 420	22 263	22 370	22 478	22 321
	lb	49,189	49,427	49,081	49,317	49,555	49,209

\* Static tipping loads and operating weights shown are based on a machine configuration with Brawler 23.5X25 Smooth solid tires, full fluids, operator, cab precleaner, fabricated counterweight with rear guard (1460 kg), flat window glass with front guard, industrial package, ride control, standard starting, narrow fenders, turbine engine precleaner, Product Link, auto diff lock axles (front/rear), powertrain guard, standard steering, industrial sound suppression and variable pitch fan.

† Illustration shown with Dimension charts.

(§) Measured 100 mm (4") behind tip of cutting edge with bucket hinge pin as pivot point in accordance with ISO 14397-2:2007.

(With tire deflection) Full compliance to ISO 14397-1:2007 Sections 1 thru 6, which requires 2% verification between calculations and testing.

(No tire deflection) Compliance to ISO 14397-1:2007 Sections 1 thru 5.

Other buckets are available and offerings vary by region. Consult your local Cat dealer for further details.

# 950 Waste & Scrap Handler Specifications

## Operating Specifications – Buckets *(continued)*

Linkage		Standard Linkage			
Bucket Type		General Purpose – Hook-On – Fusion			
Edge Type		Bolt-On Cutting Edges	Teeth and Segments	Tips	
Capacity – Rated	m <sup>3</sup>	3.40	3.40	3.20	
	yd <sup>3</sup>	4.50	4.50	4.25	
Capacity – Rated at 110% Fill Factor	m <sup>3</sup>	3.70	3.70	3.50	
	yd <sup>3</sup>	4.75	4.75	4.50	
Width	mm	2927	2994	2994	
	ft/in	9'7"	9'9"	9'9"	
<b>16</b> † Dump Clearance at Maximum Lift and 45° Discharge	mm	2802	2683	2683	
	ft/in	9'2"	8'9"	8'9"	
<b>17</b> † Reach at Maximum Lift and 45° Discharge	mm	1398	1508	1508	
	ft/in	4'7"	4'11"	4'11"	
Reach at Level Lift Arm and Bucket Level	mm	2758	2919	2919	
	ft/in	9'0"	9'6"	9'6"	
<b>A</b> † Digging Depth	mm	44	44	14	
	in	1.7"	1.7"	0.5"	
<b>12</b> † Overall Length	mm	8373	8548	8548	
	ft/in	27'6"	28'1"	28'1"	
<b>B</b> † Overall Height with Bucket at Maximum Lift	mm	5601	5601	5601	
	ft/in	18'5"	18'5"	18'5"	
Loader Clearance Circle Radius with Bucket at Carry Position	mm	6715	6799	6799	
	ft/in	22'1"	22'4"	22'4"	
Static Tipping Load, Straight (No tire deflection)	kg	16 235	16 093	16 457	
	lb	35,793	35,479	36,282	
Static Tipping Load, Articulated (No tire deflection)	kg	14 125	13 983	14 326	
	lb	31,141	30,828	31,585	
Breakout Force (§)	kN	135	134	146	
	lbf	30,521	30,272	32,933	
Operating Weight*	kg	22 791	22 899	22 742	
	lb	50,245	50,483	50,137	

\* Static tipping loads and operating weights shown are based on a machine configuration with Brawler 23.5X25 Smooth solid tires, full fluids, operator, cab precleaner, fabricated counterweight with rear guard (1460 kg), flat window glass with front guard, industrial package, ride control, standard starting, narrow fenders, turbine engine precleaner, Product Link, auto diff lock axles (front/rear), powertrain guard, standard steering, industrial sound suppression and variable pitch fan.

† Illustration shown with Dimension charts.

(§) Measured 100 mm (4") behind tip of cutting edge with bucket hinge pin as pivot point in accordance with ISO 14397-2:2007.

(With tire deflection) Full compliance to ISO 14397-1:2007 Sections 1 thru 6, which requires 2% verification between calculations and testing.

(No tire deflection) Compliance to ISO 14397-1:2007 Sections 1 thru 5.

Other buckets are available and offerings vary by region. Consult your local Cat dealer for further details.

# 950 Waste & Scrap Handler Specifications

## Operating Specifications – Buckets *(continued)*

Linkage		Standard Linkage		
Bucket Type		Waste, Load, and Carry – Hook-On – Fusion		
Edge Type		Bolt-On Cutting Edges	Teeth and Segments	Tips
Capacity – Rated	m <sup>3</sup>	5.20	5.20	5.00
	yd <sup>3</sup>	6.75	6.75	6.50
Capacity – Rated at 110% Fill Factor	m <sup>3</sup>	5.70	5.70	5.50
	yd <sup>3</sup>	7.50	7.50	7.25
Width	mm	3059	3138	3138
	ft/in	10'0"	10'3"	10'3"
<b>16†</b> Dump Clearance at Maximum Lift and 45° Discharge	mm	2769	2608	2608
	ft/in	9'1"	8'6"	8'6"
<b>17†</b> Reach at Maximum Lift and 45° Discharge	mm	1280	1403	1403
	ft/in	4'2"	4'7"	4'7"
Reach at Level Lift Arm and Bucket Level	mm	2714	2916	2916
	ft/in	8'10"	9'6"	9'6"
<b>A†</b> Digging Depth	mm	49	49	14
	in	1.9"	1.9"	0.5"
<b>12†</b> Overall Length	mm	8334	8557	8557
	ft/in	27'5"	28'1"	28'1"
<b>B†</b> Overall Height with Bucket at Maximum Lift	mm	6138	6138	6138
	ft/in	20'2"	20'2"	20'2"
Loader Clearance Circle Radius with Bucket at Carry Position	mm	6765	6869	6869
	ft/in	22'3"	22'7"	22'7"
Static Tipping Load, Straight (No tire deflection)	kg	17 517	17 286	17 660
	lb	38,619	38,110	38,934
Static Tipping Load, Articulated (No tire deflection)	kg	15 202	14 971	15 324
	lb	33,515	33,005	33,784
Breakout Force(§)	kN	137	136	146
	lbf	30,957	30,571	32,832
Operating Weight*	kg	23 199	23 358	23 207
	lb	51,144	51,494	51,162

\* Static tipping loads and operating weights shown are based on a machine configuration with Brawler 23.5X25 Smooth solid tires, full fluids, operator, cab precleaner, fabricated counterweight with rear guard (1460 kg), flat window glass with front guard, industrial package, ride control, standard starting, narrow fenders, turbine engine precleaner, Product Link, auto diff lock axles (front/rear), powertrain guard, standard steering, industrial sound suppression and variable pitch fan.

† Illustration shown with Dimension charts.

(§) Measured 100 mm (4") behind tip of cutting edge with bucket hinge pin as pivot point in accordance with ISO 14397-2:2007.

(With tire deflection) Full compliance to ISO 14397-1:2007 Sections 1 thru 6, which requires 2% verification between calculations and testing.

(No tire deflection) Compliance to ISO 14397-1:2007 Sections 1 thru 5.

Other buckets are available and offerings vary by region. Consult your local Cat dealer for further details.

# 950 Waste & Scrap Handler Specifications

## Operating Specifications – Buckets (continued)

Linkage		High Lift Linkage								
Bucket Type		General Purpose – Pin-On								
Edge Type		Bolt-On Cutting Edges	Teeth and Segments	Tips	Bolt-On Cutting Edges	Teeth and Segments	Tips	Bolt-On Cutting Edges	Teeth and Segments	Tips
Capacity – Rated	m <sup>3</sup>	2.70	2.70	2.50	3.10	3.10	2.90	3.30	3.30	3.10
	yd <sup>3</sup>	3.50	3.50	3.25	4.00	4.00	3.75	4.25	4.25	4.00
Capacity – Rated at 110% Fill Factor	m <sup>3</sup>	3.00	3.00	2.80	3.40	3.40	3.20	3.60	3.60	3.40
	yd <sup>3</sup>	4.00	4.00	3.75	4.50	4.50	4.25	4.75	4.75	4.50
Width	mm	2927	2994	2994	2927	2994	2994	2927	2994	2994
	ft/in	9'7"	9'9"	9'9"	9'7"	9'9"	9'9"	9'7"	9'9"	9'9"
<b>16</b> † Dump Clearance at Maximum Lift and 45° Discharge	mm	3484	3369	3369	3404	3287	3287	3365	3247	3247
	ft/in	11'5"	11'0"	11'0"	11'2"	10'9"	10'9"	11'0"	10'7"	10'7"
<b>17</b> † Reach at Maximum Lift and 45° Discharge	mm	1322	1436	1436	1378	1489	1489	1407	1518	1518
	ft/in	4'4"	4'8"	4'8"	4'6"	4'10"	4'10"	4'7"	4'11"	4'11"
Reach at Level Lift Arm and Bucket Level	mm	2924	3085	3085	3024	3185	3185	3074	3235	3235
	ft/in	9'7"	10'1"	10'1"	9'11"	10'5"	10'5"	10'1"	10'7"	10'7"
<b>A</b> † Digging Depth	mm	58	58	28	58	58	28	58	58	28
	in	2.2"	2.2"	1.1"	2.2"	2.2"	1.1"	2.2"	2.2"	1.1"
<b>12</b> † Overall Length	mm	8636	8808	8808	8736	8908	8908	8786	8958	8958
	ft/in	28'4"	28'11"	28'11"	28'8"	29'3"	29'3"	28'10"	29'5"	29'5"
<b>B</b> † Overall Height with Bucket at Maximum Lift	mm	5911	5911	5911	5874	5874	5874	6048	6048	6048
	ft/in	19'5"	19'5"	19'5"	19'4"	19'4"	19'4"	19'11"	19'11"	19'11"
Loader Clearance Circle Radius with Bucket at Carry Position	mm	6845	6926	6926	6872	6954	6954	6886	6968	6968
	ft/in	22'6"	22'9"	22'9"	22'7"	22'10"	22'10"	22'8"	22'11"	22'11"
Static Tipping Load, Straight (No tire deflection)	kg	14 891	14 756	14 990	14 780	14 644	14 875	14 722	14 586	14 809
	lb	32,828	32,533	33,049	32,584	32,286	32,795	32,457	32,157	32,650
Static Tipping Load, Articulated (No tire deflection)	kg	12 958	12 824	13 044	12 849	12 714	12 931	12 792	12 656	12 867
	lb	28,568	28,273	28,759	28,328	28,030	28,508	28,203	27,903	28,366
Breakout Force (§)	kN	157	156	172	144	142	156	138	136	149
	lbf	35,340	35,059	38,679	32,372	32,095	35,185	31,048	30,773	33,644
Operating Weight*	kg	22 716	22 824	22 667	22 805	22 913	22 756	22 850	22 958	22 801
	lb	50,079	50,317	49,971	50,275	50,513	50,167	50,374	50,613	50,266

\* Static tipping loads and operating weights shown are based on a machine configuration with Brawler 23.5X25 Smooth solid tires, full fluids, operator, cab precleaner, fabricated counterweight with rear guard (1460 kg), flat window glass with front guard, industrial package, ride control, standard starting, narrow fenders, turbine engine precleaner, Product Link, auto diff lock axles (front/rear), powertrain guard, standard steering, industrial sound suppression and variable pitch fan.

† Illustration shown with Dimension charts.

(§) Measured 100 mm (4") behind tip of cutting edge with bucket hinge pin as pivot point in accordance with ISO 14397-2:2007.

(With tire deflection) Full compliance to ISO 14397-1:2007 Sections 1 thru 6, which requires 2% verification between calculations and testing.

(No tire deflection) Compliance to ISO 14397-1:2007 Sections 1 thru 5.

Other buckets are available and offerings vary by region. Consult your local Cat dealer for further details.

# 950 Waste & Scrap Handler Specifications

## Operating Specifications – Buckets (continued)

Linkage		High Lift Linkage					
Bucket Type		General Purpose – Pin-On					
Edge Type		Bolt-On Cutting Edges	Teeth and Segments	Tips	Bolt-On Cutting Edges	Teeth and Segments	Tips
Capacity – Rated	m <sup>3</sup>	3.40	3.40	3.20	3.60	3.60	3.40
	yd <sup>3</sup>	4.50	4.50	4.25	4.75	4.75	4.50
Capacity – Rated at 110% Fill Factor	m <sup>3</sup>	3.70	3.70	3.50	4.00	4.00	3.70
	yd <sup>3</sup>	4.75	4.75	4.50	5.25	5.25	4.75
Width	mm	2927	2994	2994	2927	2994	2994
	ft/in	9'7"	9'9"	9'9"	9'7"	9'9"	9'9"
16† Dump Clearance at Maximum Lift and 45° Discharge	mm	3339	3221	3221	3293	3174	3174
	ft/in	10'11"	10'6"	10'6"	10'9"	10'4"	10'4"
17† Reach at Maximum Lift and 45° Discharge	mm	1430	1540	1540	1466	1576	1576
	ft/in	4'8"	5'0"	5'0"	4'9"	5'2"	5'2"
Reach at Level Lift Arm and Bucket Level	mm	3109	3270	3270	3169	3330	3330
	ft/in	10'2"	10'8"	10'8"	10'4"	10'11"	10'11"
A† Digging Depth	mm	58	58	28	58	58	28
	in	2.2"	2.2"	1.1"	2.2"	2.2"	1.1"
12† Overall Length	mm	8821	8993	8993	8881	9053	9053
	ft/in	29'0"	29'7"	29'7"	29'2"	29'9"	29'9"
B† Overall Height with Bucket at Maximum Lift	mm	6077	6077	6077	6136	6136	6136
	ft/in	20'0"	20'0"	20'0"	20'2"	20'2"	20'2"
Loader Clearance Circle Radius with Bucket at Carry Position	mm	6896	6978	6978	6913	6995	6995
	ft/in	22'8"	22'11"	22'11"	22'9"	23'0"	23'0"
Static Tipping Load, Straight (No tire deflection)	kg	14 685	14 548	14 766	14 611	14 473	14 691
	lb	32,374	32,073	32,554	32,212	31,909	32,388
Static Tipping Load, Articulated (No tire deflection)	kg	12 755	12 619	12 824	12 683	12 546	12 750
	lb	28,122	27,821	28,273	27,962	27,660	28,109
Breakout Force (§)	kN	134	133	145	128	126	138
	lbf	30,178	29,904	32,636	28,776	28,503	31,021
Operating Weight*	kg	22 880	22 988	22 831	22 938	23 046	22 889
	lb	50,441	50,679	50,333	50,568	50,807	50,460

\* Static tipping loads and operating weights shown are based on a machine configuration with Brawler 23.5X25 Smooth solid tires, full fluids, operator, cab precleaner, fabricated counterweight with rear guard (1460 kg), flat window glass with front guard, industrial package, ride control, standard starting, narrow fenders, turbine engine precleaner, Product Link, auto diff lock axles (front/rear), powertrain guard, standard steering, industrial sound suppression and variable pitch fan.

† Illustration shown with Dimension charts.

(§) Measured 100 mm (4") behind tip of cutting edge with bucket hinge pin as pivot point in accordance with ISO 14397-2:2007.

(With tire deflection) Full compliance to ISO 14397-1:2007 Sections 1 thru 6, which requires 2% verification between calculations and testing.

(No tire deflection) Compliance to ISO 14397-1:2007 Sections 1 thru 5.

Other buckets are available and offerings vary by region. Consult your local Cat dealer for further details.



# 950 Waste & Scrap Handler Specifications

## Operating Specifications – Buckets *(continued)*

Linkage		High Lift Linkage			
Bucket Type		General Purpose – Hook-On – Fusion			
Edge Type		Bolt-On Cutting Edges	Teeth and Segments	Tips	
Capacity – Rated	m <sup>3</sup>	3.40	3.40	3.20	
	yd <sup>3</sup>	4.50	4.50	4.25	
Capacity – Rated at 110% Fill Factor	m <sup>3</sup>	3.70	3.70	3.50	
	yd <sup>3</sup>	4.75	4.75	4.50	
Width	mm	2927	2994	2994	
	ft/in	9'7"	9'9"	9'9"	
<b>16</b> † Dump Clearance at Maximum Lift and 45° Discharge	mm	3297	3179	3179	
	ft/in	10'9"	10'5"	10'5"	
<b>17</b> † Reach at Maximum Lift and 45° Discharge	mm	1466	1576	1576	
	ft/in	4'9"	5'2"	5'2"	
Reach at Level Lift Arm and Bucket Level	mm	3164	3325	3325	
	ft/in	10'4"	10'10"	10'10"	
<b>A</b> † Digging Depth	mm	66	66	36	
	in	2.6"	2.6"	1.4"	
<b>12</b> † Overall Length	mm	8881	9054	9054	
	ft/in	29'2"	29'9"	29'9"	
<b>B</b> † Overall Height with Bucket at Maximum Lift	mm	6096	6096	6096	
	ft/in	20'0"	20'0"	20'0"	
Loader Clearance Circle Radius with Bucket at Carry Position	mm	6913	6996	6996	
	ft/in	22'9"	23'0"	23'0"	
Static Tipping Load, Straight (No tire deflection)	kg	14 087	13 951	14 244	
	lb	31,058	30,757	31,403	
Static Tipping Load, Articulated (No tire deflection)	kg	12 179	12 042	12 322	
	lb	26,850	26,549	27,167	
Breakout Force (§)	kN	128	127	138	
	lbf	28,829	28,555	31,086	
Operating Weight*	kg	23 359	23 467	23 310	
	lb	51,497	51,735	51,389	

\* Static tipping loads and operating weights shown are based on a machine configuration with Brawler 23.5X25 Smooth solid tires, full fluids, operator, cab precleaner, fabricated counterweight with rear guard (1460 kg), flat window glass with front guard, industrial package, ride control, standard starting, narrow fenders, turbine engine precleaner, Product Link, auto diff lock axles (front/rear), powertrain guard, standard steering, industrial sound suppression and variable pitch fan.

† Illustration shown with Dimension charts.

(§) Measured 100 mm (4") behind tip of cutting edge with bucket hinge pin as pivot point in accordance with ISO 14397-2:2007.

(With tire deflection) Full compliance to ISO 14397-1:2007 Sections 1 thru 6, which requires 2% verification between calculations and testing.

(No tire deflection) Compliance to ISO 14397-1:2007 Sections 1 thru 5.

Other buckets are available and offerings vary by region. Consult your local Cat dealer for further details.

# 950 Waste & Scrap Handler Specifications

## Operating Specifications – Buckets *(continued)*

Linkage		High Lift Linkage		
Bucket Type		Waste, Load, and Carry – Hook-On – Fusion		
Edge Type		Bolt-On Cutting Edges	Teeth and Segments	Tips
Capacity – Rated	m <sup>3</sup>	5.20	5.20	5.00
	yd <sup>3</sup>	6.75	6.75	6.50
Capacity – Rated at 110% Fill Factor	m <sup>3</sup>	5.70	5.70	5.50
	yd <sup>3</sup>	7.50	7.50	7.25
Width	mm	3059	3138	3138
	ft/in	10'0"	10'3"	10'3"
<b>16†</b> Dump Clearance at Maximum Lift and 45° Discharge	mm	3265	3103	3103
	ft/in	10'8"	10'2"	10'2"
<b>17†</b> Reach at Maximum Lift and 45° Discharge	mm	1347	1471	1471
	ft/in	4'5"	4'9"	4'9"
Reach at Level Lift Arm and Bucket Level	mm	3120	3322	3322
	ft/in	10'2"	10'10"	10'10"
<b>A†</b> Digging Depth	mm	71	71	36
	in	2.8"	2.8"	1.4"
<b>12†</b> Overall Length	mm	8842	9061	9061
	ft/in	29'1"	29'9"	29'9"
<b>B†</b> Overall Height with Bucket at Maximum Lift	mm	6634	6634	6634
	ft/in	21'10"	21'10"	21'10"
Loader Clearance Circle Radius with Bucket at Carry Position	mm	6961	7064	7064
	ft/in	22'11"	23'3"	23'3"
Static Tipping Load, Straight (No tire deflection)	kg	15 187	14 965	15 280
	lb	33,481	32,993	33,687
Static Tipping Load, Articulated (No tire deflection)	kg	13 088	12 866	13 167
	lb	28,855	28,366	29,028
Breakout Force(§)	kN	129	128	137
	lbf	29,205	28,780	30,929
Operating Weight*	kg	23 767	23 926	23 775
	lb	52,396	52,746	52,414

\* Static tipping loads and operating weights shown are based on a machine configuration with Brawler 23.5X25 Smooth solid tires, full fluids, operator, cab precleaner, fabricated counterweight with rear guard (1460 kg), flat window glass with front guard, industrial package, ride control, standard starting, narrow fenders, turbine engine precleaner, Product Link, auto diff lock axles (front/rear), powertrain guard, standard steering, industrial sound suppression and variable pitch fan.

† Illustration shown with Dimension charts.

(§) Measured 100 mm (4") behind tip of cutting edge with bucket hinge pin as pivot point in accordance with ISO 14397-2:2007.

(With tire deflection) Full compliance to ISO 14397-1:2007 Sections 1 thru 6, which requires 2% verification between calculations and testing.

(No tire deflection) Compliance to ISO 14397-1:2007 Sections 1 thru 5.

Other buckets are available and offerings vary by region. Consult your local Cat dealer for further details.



# 950

## Forestry Machine

***The Cat 950 Wheel Loader Forestry package provides the additional performance, productivity, and safety that is demanded in the woods and the millyard.***

### Proven Reliability

- Cat C7.1 engine offers high power density with a combination of proven electronics, fuel, and air systems.
- Features an electric fuel priming pump, fuel-water separator, and secondary filtration system.
- Thorough component design and machine validation processes result in unmatched reliability and uptime.

### Durability

- Heavy-duty axles are designed to handle extreme applications.
- Automatic countershaft powershift (5F/3R) transmission features durable, long-lasting components.

### Achieve Greater Fuel Efficiency and Productivity

- Forestry package includes additional counterweight, and larger tilt cylinder.
- Optional variable pitch fan and high debris coolers minimize the potential for overheating and reduce downtime for radiator clean out in high debris applications.
- Optional 3rd and 4th valve auxiliary hydraulics to control work tools requiring the additional function.
- Five-speed transmission and lock-up clutch torque converter, powertrains deliver smooth shifting, fast acceleration, and speed on grade for greater performance and fuel efficiency.
- Single clutch and lock-to-lock shifting for faster acceleration and speed on grades.
- Automatic idle engine shutdown system significantly reduces idle time, overall operating hours, and fuel consumption.
- Deeply integrated engine, powertrain, and hydraulic systems deliver unmatched productivity and fuel efficiency.

### Safety Features

- Rearview camera enhances visibility behind the machine, helping you work safely and confidently.
- Optional multiview (360°) vision system helps the operator monitor the surroundings of the machine at all times.
- Optional Cat Detect radar technology enhances awareness by monitoring the working environment and alerts operators to hazards.

- Cab access with wide door, optional remote door opening, and stair-like steps add solid stability.
- Floor-to-ceiling windshield, large mirrors with integrated spot mirrors, and rearview camera provide industry leading all-around visibility.

### Reduced Maintenance Time and Costs

- Extended fluid and filter change intervals reduce maintenance costs by up to 35%.\*
- Optional turbine engine air precleaner improves air filter life.
- Remote Troubleshoot can connect the machine to the dealer service department to help diagnose problems quickly so you can get back to work.
- Remote Flash works around your schedule to ensure your machine's software is up to date for optimal performance.
- The Cat app helps you manage fleet location, hours, and maintenance schedules; it also alerts you for required maintenance and allows you to request service from your local Cat dealer.
- One-piece tilting hood makes engine compartment access fast and easy.
- Optional integrated autolube extends component and service life.

### Work in Comfort in the All New Cab

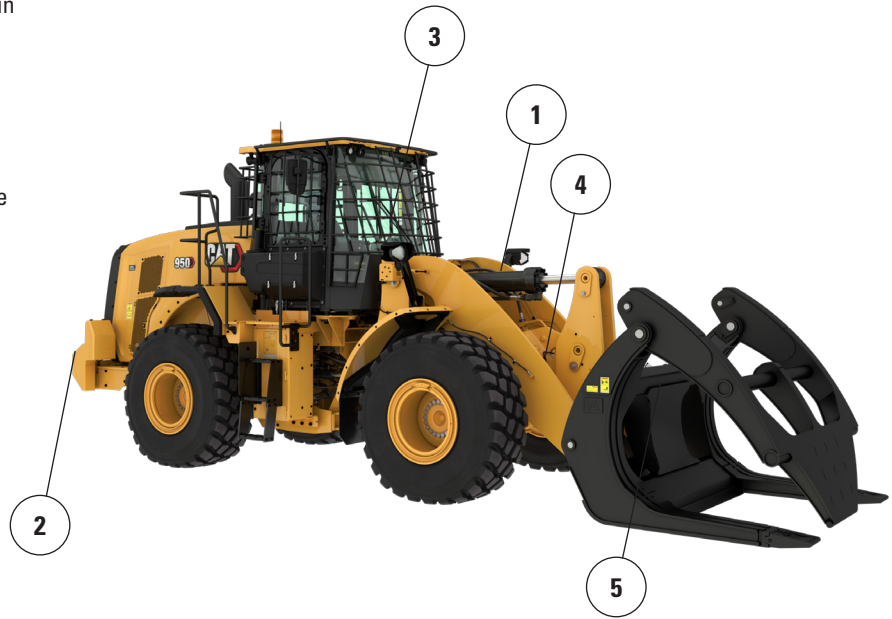
- Optional powered cabin precleaner filters the incoming air and pressurizes the cab.
- Next-generation, easily adjustable seat and suspension for improved operator comfort. It comes in three trim levels and can be equipped with a 4-point harness.
- New in-cab dashboard and high-resolution touch display(s) are easy to use, intuitive, and user friendly.
- Sound suppression, seals, and viscous cab mounts decrease noise and vibration for a quieter work environment.
- The standard hydraulic metering unit (HMU) steering wheel provides precision control, resulting in excellent comfort and accuracy. An optional seat-mounted electro-hydraulic joystick steering system (replaces the HMU steering wheel) is also available in many regions.

*\*Parts and fluids only.*

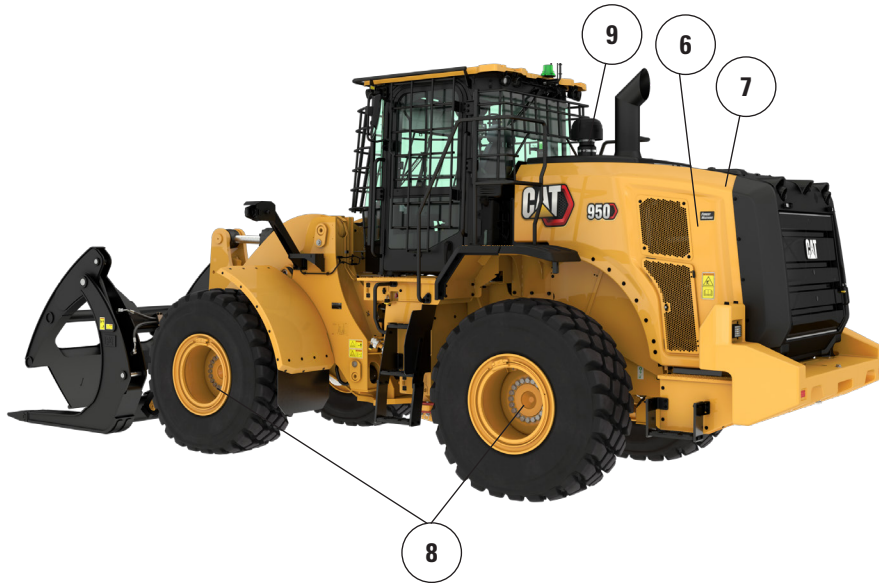
# 950 Forestry Machine Specifications

## 950 Forestry Machine Features

1. Larger tilt cylinder for increased load control in fork applications
2. Heavier counterweight provides increased tipping loads in a millyard application
3. Optional window guarding to provide impact resistance to the glass
4. Optional 3<sup>rd</sup> and 4<sup>th</sup> function hydraulics provide auxiliary hydraulic control for work tools like millyard or logging forks
5. Wide range of millyard work tools



6. Optional variable pitch fan helps to keep rear grill and cooling cores clean in high debris applications
7. Optional high debris/wide fin spacing cooling cores are less prone to plugging
8. Optional axle oil cooler provides lower axle oil temperatures in high braking applications
9. Optional engine and cab precleaners for use in high debris applications



## Tire Options

Tire Brand	BRIDGESTONE	MICHELIN	MICHELIN	BRIDGESTONE	MAXAM
Tire Size	23.5R25	23.5R25	750/65R25	750/65R25	23.5R25
Tread Type	L-3	L-3	L-3	L-3	L-3
Tread Pattern	VJT	XHA2	XLD	VTS	MS302
Casing Strength	*	*	*	*	**
Width over Tires – Maximum (empty)*	2800 mm 9'3"	2816 mm 9'3"	2934 mm 9'8"	2930 mm 9'8"	2820 mm 9'4"
Width over Tires – Maximum (loaded)*	2824 mm 9'4"	2828 mm 9'4"	2968 mm 9'9"	2951 mm 9'9"	2828 mm 9'4"
Change in Vertical Dimensions (average of front and rear)		10 mm 0.4"	12 mm 0.5"	19 mm 0.7"	14 mm 0.5"
Change in Horizontal Reach		-6 mm -0.2"	5 mm 0.2"	-4 mm -0.2"	-15 mm -0.6"
Change in Clearance Circle to Outside of Tires		4 mm 0.2"	144 mm 5.7"	128 mm 5"	4 mm 0.2"
Change in Clearance Circle to Inside of Tires		-4 mm -0.2"	-144 mm -5.7"	-128 mm -5"	-4 mm -0.2"
Change in Operating Weight (without ballast)		-156 kg -344 lb	633 kg 1,395 lb	737 kg 1,625 lb	0 kg 0 lb
Change in Static Tipping Load – Straight		-104 kg -229 lb	421 kg 928 lb	490 kg 1,080 lb	0 kg 0 lb
Change in Static Tipping Load – Articulated		-90 kg -200 lb	367 kg 809 lb	427 kg 942 lb	0 kg 0 lb
Rear Axle Oscillation Angle	±13 degrees	±13 degrees	±8 degrees	±8 degrees	±13 degrees
Maximum Single-Wheel Rise and Fall	481 mm 1'7"	481 mm 1'7"	298 mm 1'0"	298 mm 1'0"	481 mm 1'7"

\*Width over tire bulge and includes tire growth.

# 950 Forestry Machine Specifications

## Operating Specifications – Buckets

Linkage		Forestry Linkage
Bucket Type		Woodchip – Hook-On – Fusion
Edge Type		Bolt-On Cutting Edges
Capacity – Rated	m <sup>3</sup>	9.20
	yd <sup>3</sup>	12.00
Capacity – Rated at 110% Fill Factor	m <sup>3</sup>	10.10
	yd <sup>3</sup>	13.25
Width	mm	3330
	ft/in	10'11"
16† Dump Clearance at Maximum Lift and 45° Discharge	mm	2247
	ft/in	7'4"
17† Reach at Maximum Lift and 45° Discharge	mm	1766
	ft/in	5'9"
Reach at Level Lift Arm and Bucket Level	mm	3386
	ft/in	11'1"
A† Digging Depth	mm	104
	in	4.1"
12† Overall Length	mm	9007
	ft/in	29'7"
B† Overall Height with Bucket at Maximum Lift	mm	6331
	ft/in	20'10"
Loader Clearance Circle Radius with Bucket at Carry Position	mm	7079
	ft/in	23'3"
Static Tipping Load, Straight (With tire deflection)	kg	13 359
	lb	29,451
Static Tipping Load, Straight (No tire deflection)	kg	14 326
	lb	31,583
Static Tipping Load, Articulated (With tire deflection)	kg	11 341
	lb	25,004
Static Tipping Load, Articulated (No tire deflection)	kg	12 313
	lb	27,147
Breakout Force (§)	kN	134
	lbf	30,190
Operating Weight*	kg	19 975
	lb	44,037

\* Static tipping loads and operating weights shown are based on a machine configuration with Bridgestone 23.5R25 VJT L3 radial tires, full fluids, operator, axle oil cooler, logger counterweight, ride control, cold start, roading fenders, Product Link, manual diff lock/open axles (front/rear), logger package, powertrain guard, secondary steering and sound suppression.

† Illustration shown with Dimension charts.

(§) Measured 100 mm (4") behind tip of cutting edge with bucket hinge pin as pivot point in accordance with ISO 14397-2:2007.

(With tire deflection) Full compliance to ISO 14397-1:2007 Sections 1 thru 6, which requires 2% verification between calculations and testing.

(No tire deflection) Compliance to ISO 14397-1:2007 Sections 1 thru 5.

Other buckets are available and offerings vary by region. Consult your local Cat dealer for further details.

# 950 Forestry Machine Specifications

## Fork Specifications

### Fork Specifications

1	Tine length	mm	1614
		in	63.5
2	Fork width	mm	2280
		in	89.8
	End area	m <sup>2</sup>	1.93
		ft <sup>2</sup>	21
3	Inside Height (only applies to double top clamp)	mm	1391
		in	55
4	Min. opening (only applies to millyard forks)	mm	N/A
		in	N/A
	Operating Weight	kg	19471
		lbs	42926
5	Distance inside of tine tips	mm	1744
		in	69
	Static tipping load, articulated Fork level	kg	8972
		lbs	19780.6
	Static tipping load, straight Fork level	kg	10501
		lbs	23149.5
6	Max. height of fork (w/clamp open if applicable)	mm	2932
		in	115.4
7	Clearance w/full lift, 45 deg dump (if max. dump <> 45)	mm	2589
		in	101.9
8	Clearance @ full lift fork level	mm	3717
		in	146.3
9	Reach w/full lift, 45 deg dump (if max. dump <> 45)	mm	1493
		in	58.8
10	Reach w/lift arm horizontal and fork level	mm	2951
		in	116.2
11	*Ground to Bottom of Tool at Minimum Height and Tool Level	mm	-57
		in	-2.2
12	Width over tines	mm	2268
		in	89.3
13	Reach @ ground level	mm	2304
		in	91
14	Max. opening across tine and clamp	mm	2530
		in	99.6
15	Overall height of fork @ full lift and clamp open	mm	6649
		in	261.8
16	Overall length	mm	8531
	Tip of tine to rear of machine	in	335.9
17	Clearance @ full lift and max. dump Discharge (if <> 45)	mm	2534
		in	99.8
18	Clearance w/horizontal lift arms and fork level	mm	1788.1
		in	70.4
19	Reach @ full lift and fork level	mm	2179.1
		in	85.8
20	Max. discharge angle from horizontal	deg	48
		rad	0.8

\*Negative values indicate below grade

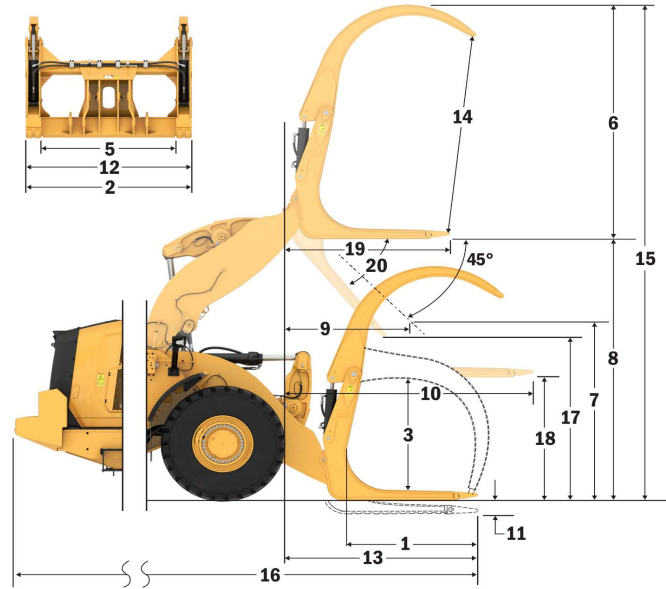
## 950 LOG

### Logging Fork, FUSION

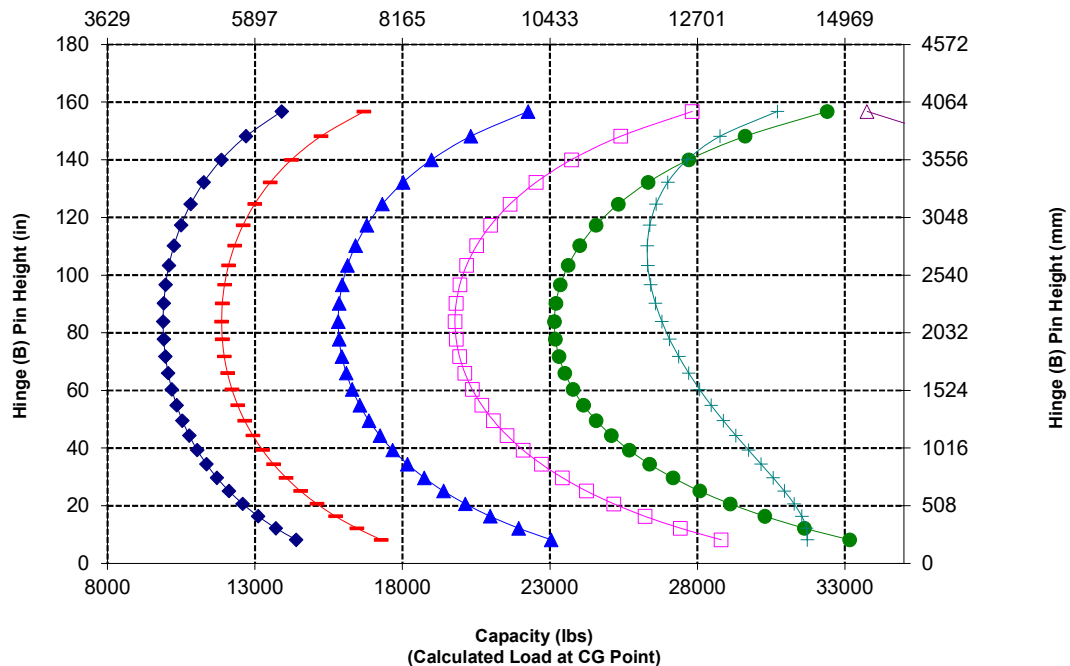
64" Tine

257-1959

\*Build 14A  
\*Z-Bar Linkage  
\*Logging Configuration



Capacity (kg)  
(Calculated Load at CG Point)



NOTE: Static tipping loads and operating weight are based on the following loader configuration: Bridgestone VJT L3 Tires, Air Conditioning, Ride Control, Powertrain Guard, Full Fluids, Fuel Tank, Coolant, Lubricants, and Operator.

Specifications and ratings conform to the following standards: SAE\* J1197, ISO 14397-1, CEN\*\* EN 474-3.

The rated operating load for a loader equipped with a pallet fork is determined by:  
SAE J1197: 50% of full turn static tipping load or hydraulic limit.  
CEN EN 474-3: 60% of full turn static tipping load on rough terrain or hydraulic limit.  
CEN EN 474-3: 80% of full turn static tipping load on firm and level ground or hydraulic limit.

\*SAE - Society of Automotive Engineers

\*\*CEN - European Committee for Standardization

# 950 Forestry Machine Specifications

## Fork Specifications

### Fork Specifications

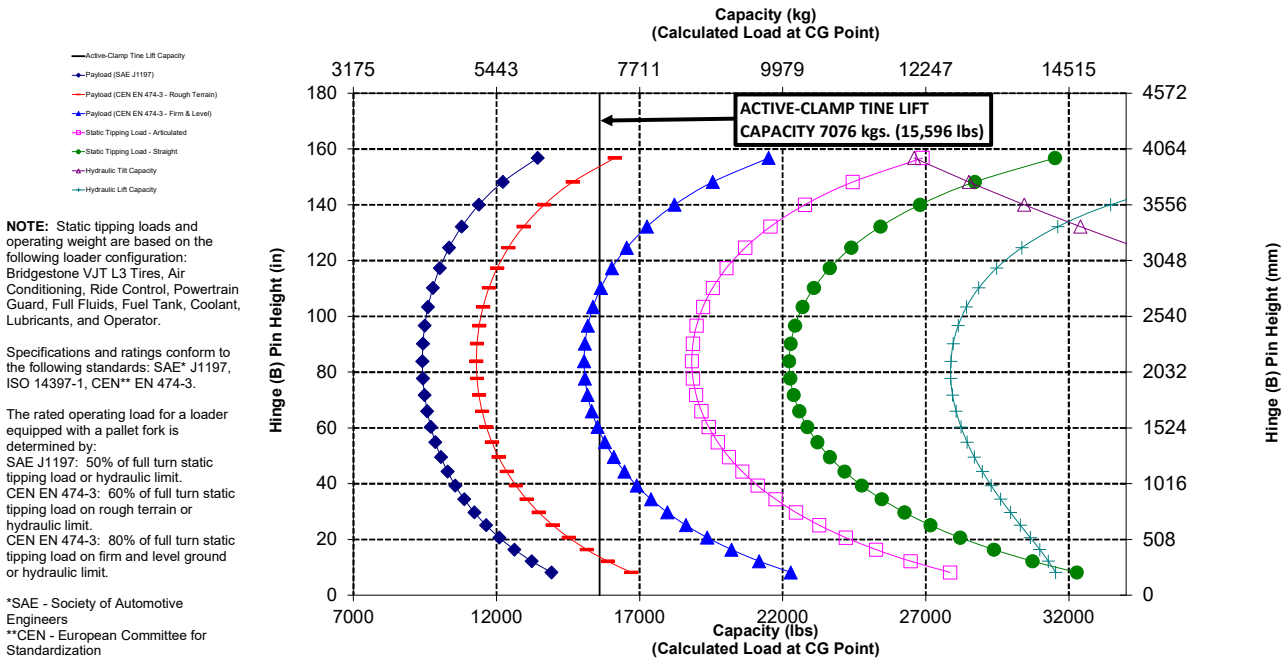
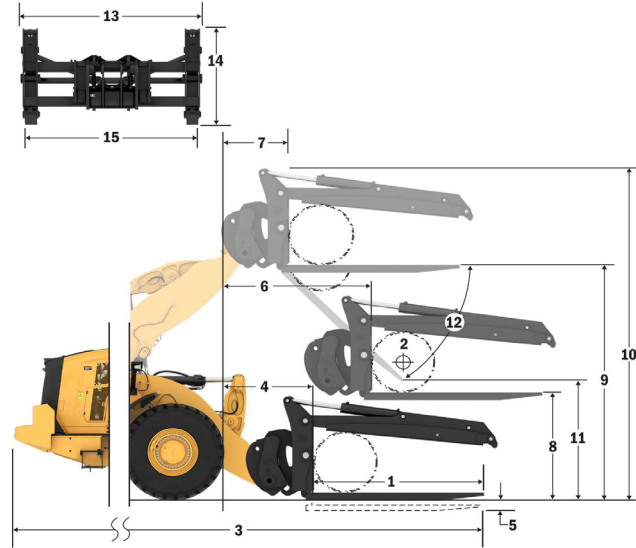
1	Tine Length	mm	1829
		in	72.0
2	Load Center	mm	914
		in	36.0
	Static Tipping Load - Straight (Forks Level)	kg	10082
		lbs	22221
	Static Tipping Load - Articulated (Forks Level)	kg	8539
		lbs	18820
	Rated Load (SAE J1197 - 50% FTSTL)	kg	4269
		lbs	9410
	Rated Load (CEN EN 474-3 Rough Terrain - 60% FTSTL)	kg	5123
		lbs	11292
	Rated Load (CEN EN 474-3 Firm and Level Ground - 80% FTSTL)	kg	6831
		lbs	15056
3	Maximum Overall Length	mm	9218
		in	362.9
4	Reach with Forks at Ground Level	mm	1163
		in	45.8
5	*Ground to Bottom of Tine at Minimum Height and Fork Level	mm	-64
		in	-2.5
6	Reach with Arms Horizontal and Forks Level	mm	1743
		in	68.6
7	Reach with Fork at Maximum Height	mm	970
		in	38.2
8	Ground to Top of Tine with Arms Horizontal and Fork Level	mm	1857
		in	73.1
9	Ground to Top of Tine at Maximum Height and Fork Level	mm	3786
		in	149.0
10	Overall Height of Fork at Full Lift (top of carriage to ground)	mm	5030
		in	198.0
11	Clearance at Full Lift and Max Dump	mm	1892
		in	74.5
12	Max Discharge Angle from Horizontal	deg	57
13	Overall Carriage Width	mm	2813
		in	110.7
14	Overall Carriage Height	mm	1321
		in	52.0
15	Outside Tine Width (max spread)	mm	2686
		in	105.7
16	Outside Tine Width (min spread)	mm	2686
		in	105.7
	Tine Width (single tine)	mm	203.2
		in	8.0
	Tine Thickness	mm	76.2
		in	3.0
	Operating Weight	kg	19750
		lbs	43529
	Active-Clamp Tine Lift Capacity	kg	7076
		lbs	15596
	Tine Capacity	kg	11794
		lbs	25994

\*Negative values indicate below grade

### 950 LOG Pipe & Pole Fork, FUSION

106" Carriage 72" Tine  
365-1316 -

\*Build 14A  
\*Z-Bar Linkage  
\*Logging Configuration



**WARNING: Do not exceed tine load capacity.**  
Individual tine capacity is stamped on the side of each tine.



**WARNING: When clamp is continuously supplied with 15513 kPa (2250 psi), tire rating is 7076 kg (15596 lbs.) at 914 mm (36") load center per pair.**

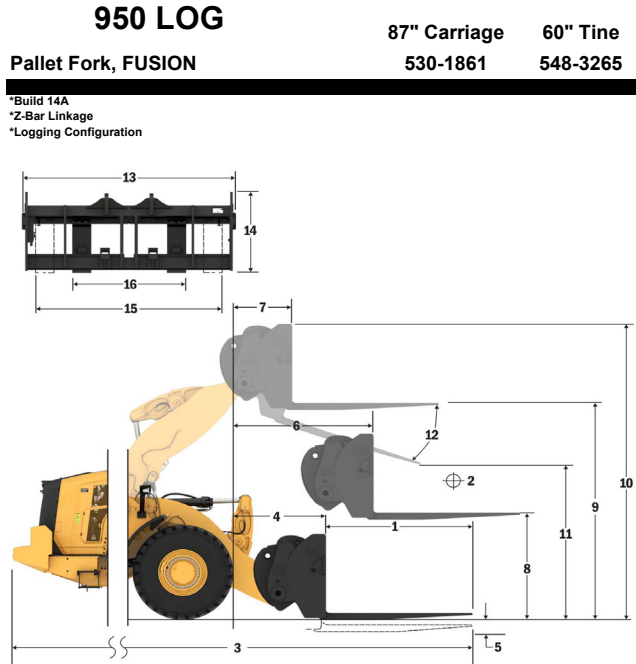


## Fork Specifications

### Fork Specifications

1	Tine Length	mm	1524
		in	60.0
2	Load Center	mm	762
		in	30.0
	Static Tipping Load - Straight (Forks Level)	kg	10307
		lbs	22717
	Static Tipping Load - Articulated (Forks Level)	kg	8915
		lbs	19648
	Rated Load (SAE J1197 - 50% FTSTL)	kg	4457
		lbs	9824
	Rated Load (CEN EN 474-3 Rough Terrain - 60% FTSTL)	kg	5349
		lbs	11789
	Rated Load (CEN EN 474-3 Firm and Level Ground - 80% FTSTL)	kg	7132
		lbs	15718
3	Maximum Overall Length	mm	8921
		in	351.2
4	Reach with Forks at Ground Level	mm	1170
		in	46.1
5	*Ground to Bottom of Tine at Minimum Height and Fork Level	mm	-167
		in	-6.6
6	Reach with Arms Horizontal and Forks Level	mm	1682
		in	66.2
7	Reach with Fork at Maximum Height	mm	910
		in	35.8
8	Ground to Top of Tine with Arms Horizontal and Fork Level	mm	1743
		in	68.6
9	Ground to Top of Tine at Maximum Height and Fork Level	mm	3671
		in	144.5
10	Overall Height of Fork at Full Lift (top of carriage to ground)	mm	4446
		in	175.1
11	Clearance at Full Lift and Max Dump	mm	2270
		in	89.4
12	Max Discharge Angle from Horizontal	deg	48
13	Overall Carriage Width	mm	2217
		in	87.3
14	Overall Carriage Height	mm	840
		in	33.1
15	Outside Tine Width (max spread)	mm	2070
		in	81.5
16	Outside Tine Width (min spread)	mm	470
		in	18.5
	Tine Width (single tine)	mm	150.0
		in	5.9
	Tine Thickness	mm	65.0
		in	2.6
	Tine Capacity	kg	6300
		lbs	13885
	Operating Weight	kg	18633
		lbs	41067

\*Negative values indicate below grade



**950 LOG**  
Pallet Fork, FUSION

87" Carriage 60" Tine

530-1861 548-3265

\*Build 14A  
\*Z-Bar Linkage  
\*Logging Configuration

- ◆ Payload (SAE J1197)
- Payload (CEN EN 474-3 - Rough Terrain)
- ◆ Payload (CEN EN 474-3 - Firm & Level)
- ◆ Static Tipping Load - Articulated
- ◆ Static Tipping Load - Straight
- ◆ Hydraulic Tilt Capacity
- ◆ Hydraulic Lift Capacity

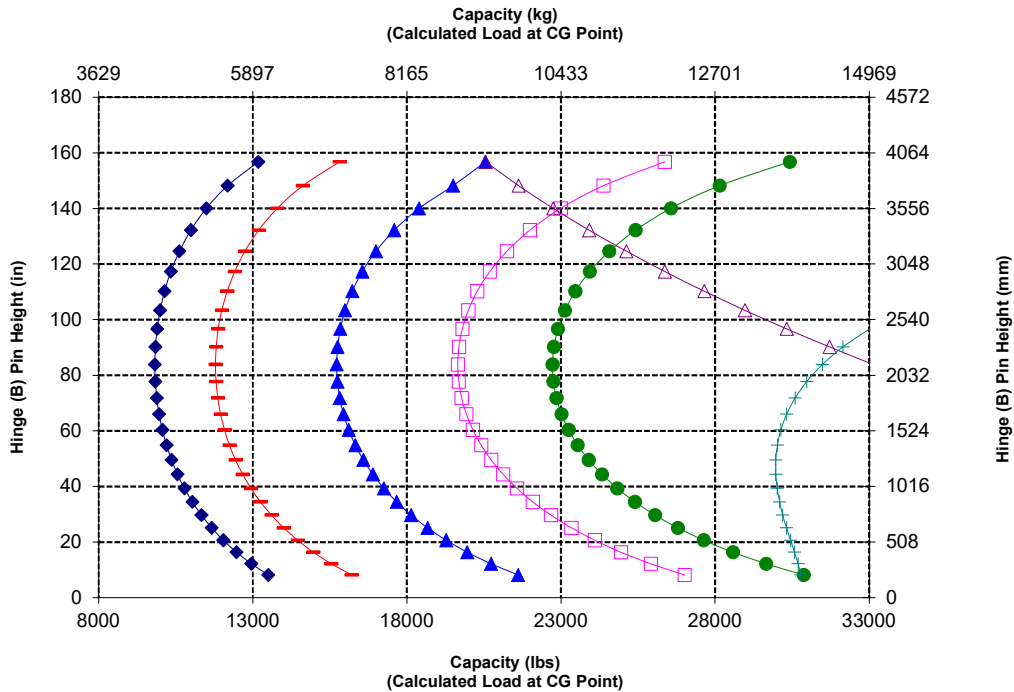
**NOTE:** Static tipping loads and operating weight are based on the following loader configuration: Bridgestone VJT L3 Tires, Air Conditioning, Ride Control, Powertrain Guard, Full Fluids, Fuel Tank, Coolant, Lubricants, and Operator.

Specifications and ratings conform to the following standards: SAE\* J1197, ISO 14397-1, CEN\*\* EN 474-3.

The rated operating load for a loader equipped with a pallet fork is determined by:  
SAE J1197: 50% of full turn static tipping load or hydraulic limit.  
CEN EN 474-3: 60% of full turn static tipping load on rough terrain or hydraulic limit.  
CEN EN 474-3: 80% of full turn static tipping load on firm and level ground or hydraulic limit.

\*SAE - Society of Automotive Engineers

\*\*CEN - European Committee for Standardization



**WARNING:** Do not exceed tine load capacity. Individual tine capacity is stamped on the side of each tine.

# 950 Forestry Machine Specifications

## Fork Specifications

### Fork Specifications

1	Tine Length	mm	1830
		in	72.0
2	Load Center	mm	915
		in	36.0
	Static Tipping Load - Straight (Forks Level)	kg	9802
		lbs	21603
	Static Tipping Load - Articulated (Forks Level)	kg	8471
		lbs	18670
	Rated Load (SAE J1197 - 50% FTSTL)	kg	4235
		lbs	9335
	Rated Load (CEN EN 474-3 Rough Terrain - 60% FTSTL)	kg	5083
		lbs	11202
	Rated Load (CEN EN 474-3 Firm and Level Ground - 80% FTSTL)	kg	6777
		lbs	14936
3	Maximum Overall Length	mm	9227
		in	363.3
4	Reach with Forks at Ground Level	mm	1170
		in	46.1
5	*Ground to Bottom of Tine at Minimum Height and Fork Level	mm	-167
		in	-6.6
6	Reach with Arms Horizontal and Forks Level	mm	1682
		in	66.2
7	Reach with Fork at Maximum Height	mm	910
		in	35.8
8	Ground to Top of Tine with Arms Horizontal and Fork Level	mm	1743
		in	68.6
9	Ground to Top of Tine at Maximum Height and Fork Level	mm	3671
		in	144.5
10	Overall Height of Fork at Full Lift (top of carriage to ground)	mm	4446
		in	175.1
11	Clearance at Full Lift and Max Dump	mm	2042
		in	80.4
12	Max Discharge Angle from Horizontal	deg	48
13	Overall Carriage Width	mm	2217
		in	87.3
14	Overall Carriage Height	mm	840
		in	33.1
15	Outside Tine Width (max spread)	mm	2070
		in	81.5
16	Outside Tine Width (min spread)	mm	470
		in	18.5
	Tine Width (single tine)	mm	150.0
		in	5.9
	Tine Thickness	mm	65.0
		in	2.6
	Tine Capacity	kg	5246
		lbs	11562
	Operating Weight	kg	18680
		lbs	41170

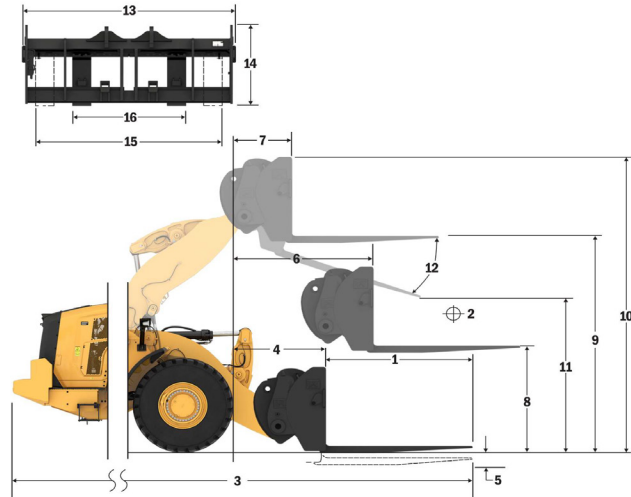
\*Negative values indicate below grade

### 950 LOG Pallet Fork, FUSION

87" Carriage 72" Tine

530-1861 530-1869

\*Build 14A  
\*Z-Bar Linkage  
\*Logging Configuration



- ◆ Payload (SAE J1197)
- ◆ Payload (CEN EN 474-3 - Rough Terrain)
- ◆ Payload (CEN EN 474-3 - Firm & Level)
- ◆ Static Tipping Load - Articulated
- ◆ Static Tipping Load - Straight
- ◆ Hydraulic Lift Capacity
- ◆ Hydraulic Lift Capacity

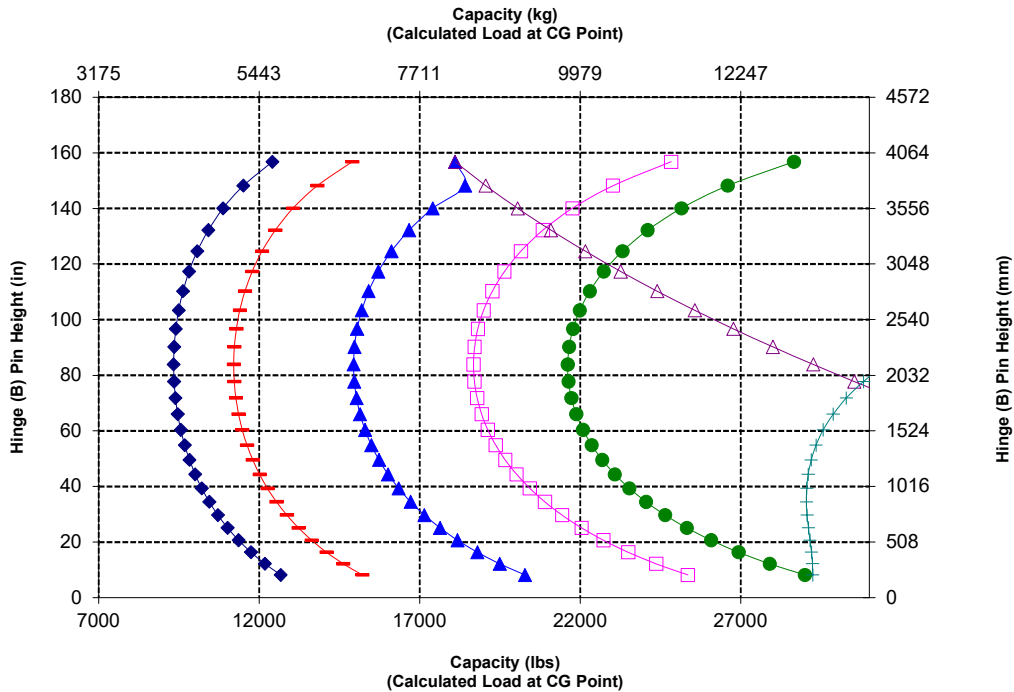
**NOTE:** Static tipping loads and operating weight are based on the following loader configuration: Bridgestone VJT L3 Tires, Air Conditioning, Ride Control, Powertrain Guard, Full Fluids, Fuel Tank, Coolant, Lubricants, and Operator.

Specifications and ratings conform to the following standards: SAE\* J1197, ISO 14397-1, CEN\*\* EN 474-3.

The rated operating load for a loader equipped with a pallet fork is determined by:  
SAE J1197: 50% of full turn static tipping load or hydraulic limit.  
CEN EN 474-3: 60% of full turn static tipping load on rough terrain or hydraulic limit.  
CEN EN 474-3: 80% of full turn static tipping load on firm and level ground or hydraulic limit.

\*SAE - Society of Automotive Engineers

\*\*CEN - European Committee for Standardization



**WARNING:** Do not exceed tine load capacity. Individual tine capacity is stamped on the side of each tine.

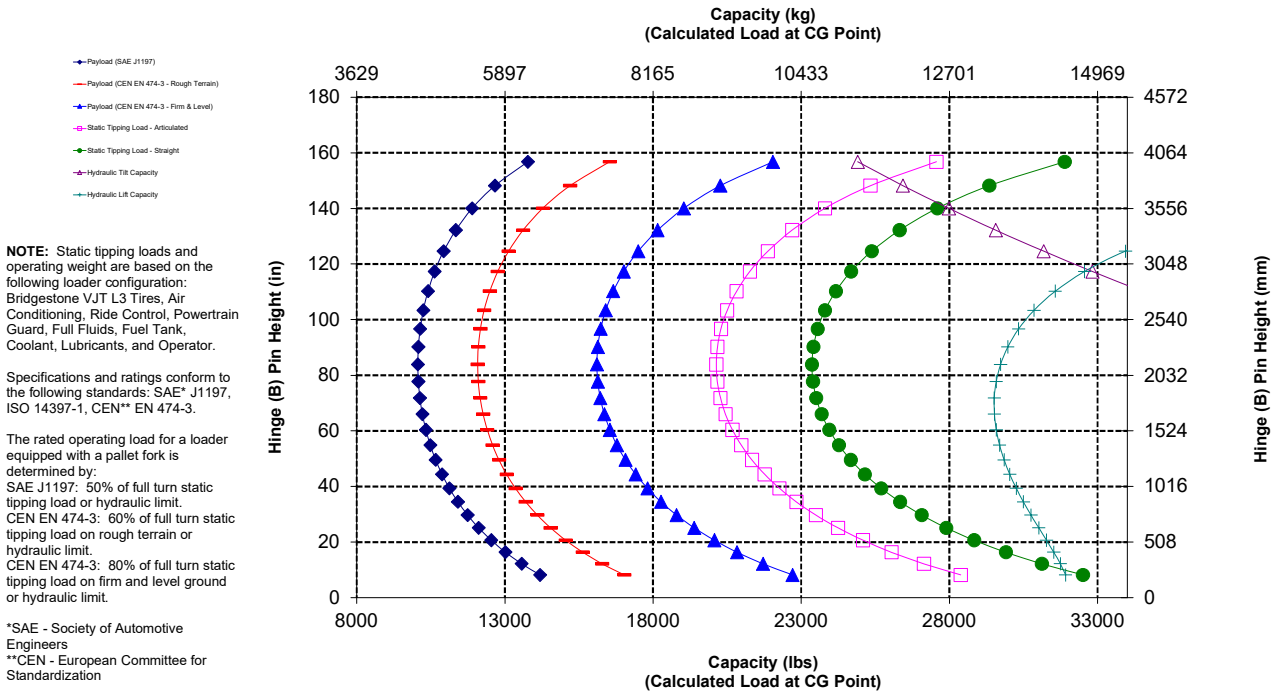
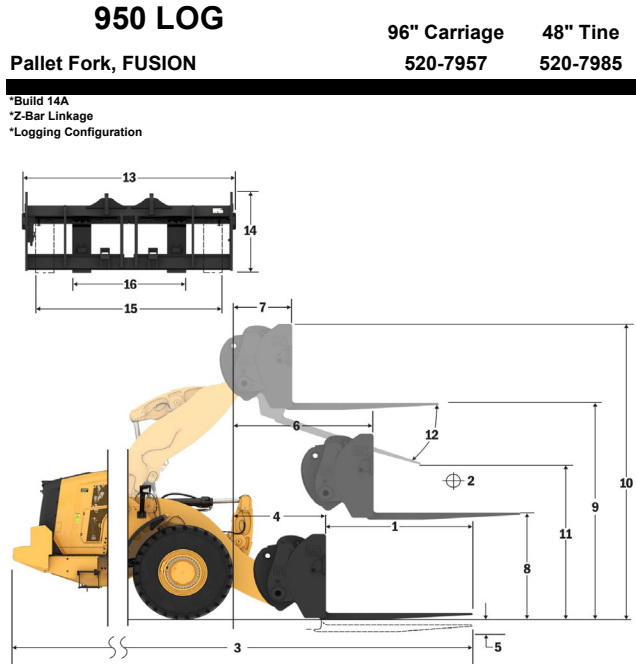
# 950 Forestry Machine Specifications

## Fork Specifications

### Fork Specifications

1	Tine Length	mm	1219
		in	48.0
2	Load Center	mm	610
		in	24.0
	Static Tipping Load - Straight (Forks Level)	kg	10597
		lbs	23356
	Static Tipping Load - Articulated (Forks Level)	kg	9133
		lbs	20129
	Rated Load (SAE J1197 - 50% FTSTL)	kg	4567
		lbs	10065
	Rated Load (CEN EN 474-3 Rough Terrain - 60% FTSTL)	kg	5480
		lbs	12078
	Rated Load (CEN EN 474-3 Firm and Level Ground - 80% FTSTL)	kg	7306
		lbs	16104
3	Maximum Overall Length	mm	8570
		in	337.4
4	Reach with Forks at Ground Level	mm	1123
		in	44.2
5	*Ground to Bottom of Tine at Minimum Height and Fork Level	mm	-88
		in	-3.5
6	Reach with Arms Horizontal and Forks Level	mm	1675
		in	65.9
7	Reach with Fork at Maximum Height	mm	903
		in	35.6
8	Ground to Top of Tine with Arms Horizontal and Fork Level	mm	1847
		in	72.7
9	Ground to Top of Tine at Maximum Height and Fork Level	mm	3776
		in	148.7
10	Overall Height of Fork at Full Lift (top of carriage to ground)	mm	4816
		in	189.6
11	Clearance at Full Lift and Max Dump	mm	2468
		in	97.2
12	Max Discharge Angle from Horizontal	deg	55
13	Overall Carriage Width	mm	2528
		in	99.5
14	Overall Carriage Height	mm	1130
		in	44.5
15	Outside Tine Width (max spread)	mm	2178
		in	85.7
16	Outside Tine Width (min spread)	mm	576
		in	22.7
	Tine Width (single tine)	mm	180.0
		in	7.1
	Tine Thickness	mm	90.0
		in	3.5
	Tine Capacity	kg	22200
		lbs	48929
	Operating Weight	kg	18942
		lbs	41748

\*Negative values indicate below grade



**WARNING:** Do not exceed tine load capacity. Individual tine capacity is stamped on the side of each tine.

# 950 Forestry Machine Specifications

## Fork Specifications

### Fork Specifications

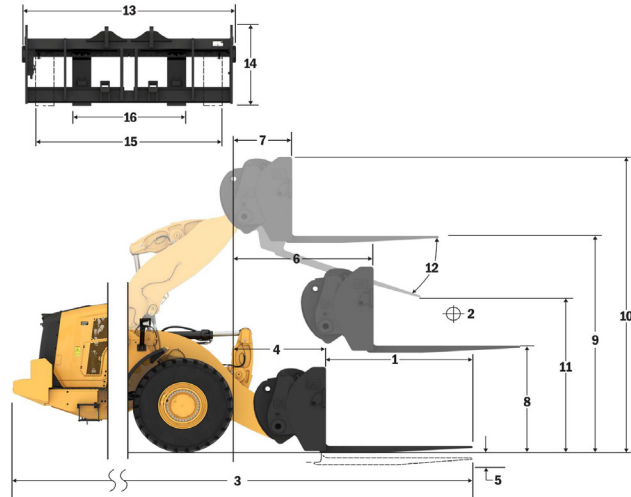
1	Tine Length	mm	1524
		in	60.0
2	Load Center	mm	762
		in	30.0
	Static Tipping Load - Straight (Forks Level)	kg	10038
		lbs	22125
	Static Tipping Load - Articulated (Forks Level)	kg	8642
		lbs	19048
	Rated Load (SAE J1197 - 50% FTSTL)	kg	4321
		lbs	9524
	Rated Load (CEN EN 474-3 Rough Terrain - 60% FTSTL)	kg	5185
		lbs	11429
	Rated Load (CEN EN 474-3 Firm and Level Ground - 80% FTSTL)	kg	6914
		lbs	15238
3	Maximum Overall Length	mm	8875
		in	349.4
4	Reach with Forks at Ground Level	mm	1124
		in	44.2
5	*Ground to Bottom of Tine at Minimum Height and Fork Level	mm	-88
		in	-3.5
6	Reach with Arms Horizontal and Forks Level	mm	1675
		in	66.0
7	Reach with Fork at Maximum Height	mm	903
		in	35.6
8	Ground to Top of Tine with Arms Horizontal and Fork Level	mm	1847
		in	72.7
9	Ground to Top of Tine at Maximum Height and Fork Level	mm	3776
		in	148.7
10	Overall Height of Fork at Full Lift (top of carriage to ground)	mm	4816
		in	189.6
11	Clearance at Full Lift and Max Dump	mm	2220
		in	87.4
12	Max Discharge Angle from Horizontal	deg	55
13	Overall Carriage Width	mm	2528
		in	99.5
14	Overall Carriage Height	mm	1130
		in	44.5
15	Outside Tine Width (max spread)	mm	2178
		in	85.7
16	Outside Tine Width (min spread)	mm	576
		in	22.7
	Tine Width (single tine)	mm	180.0
		in	7.1
	Tine Thickness	mm	90.0
		in	3.5
	Tine Capacity	kg	17800
		lbs	39231
	Operating Weight	kg	19008
		lbs	41893

\*Negative values indicate below grade

### 950 LOG Pallet Fork, FUSION

96" Carriage 60" Tine  
520-7957 520-7980

\*Build 14A  
\*Z-Bar Linkage  
\*Logging Configuration



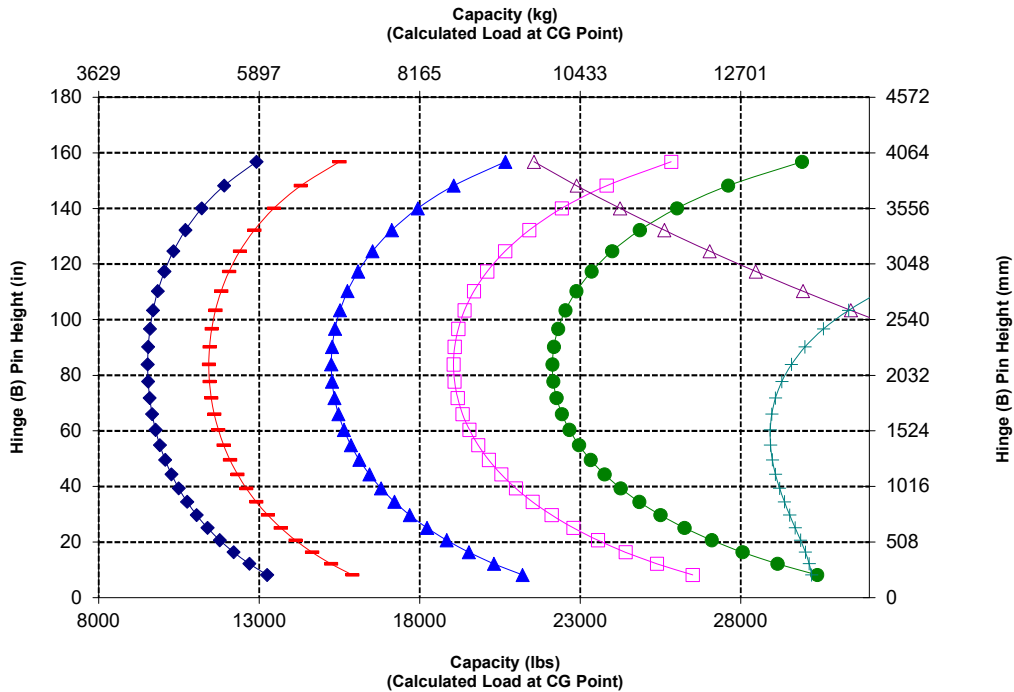
- ◆ Payload (SAE J1197)
- ◆ Payload (CEN EN 474-3 - Rough Terrain)
- ◆ Payload (CEN EN 474-3 - Firm & Level)
- ◆ Static Tipping Load - Articulated
- ◆ Static Tipping Load - Straight
- ◆ Hydraulic Tilt Capacity
- ◆ Hydraulic Lift Capacity

**NOTE:** Static tipping loads and operating weight are based on the following loader configuration: Bridgestone VJT L3 Tires, Air Conditioning, Ride Control, Powertrain Guard, Full Fluids, Fuel Tank, Coolant, Lubricants, and Operator.

Specifications and ratings conform to the following standards: SAE\* J1197, ISO 14397-1, CEN\*\* EN 474-3.

The rated operating load for a loader equipped with a pallet fork is determined by:  
SAE J1197: 50% of full turn static tipping load or hydraulic limit.  
CEN EN 474-3: 60% of full turn static tipping load on rough terrain or hydraulic limit.  
CEN EN 474-3: 80% of full turn static tipping load on firm and level ground or hydraulic limit.

\*SAE - Society of Automotive Engineers  
\*\*CEN - European Committee for Standardization



**WARNING:** Do not exceed tine load capacity. Individual tine capacity is stamped on the side of each tine.

## Fork Specifications

### Fork Specifications

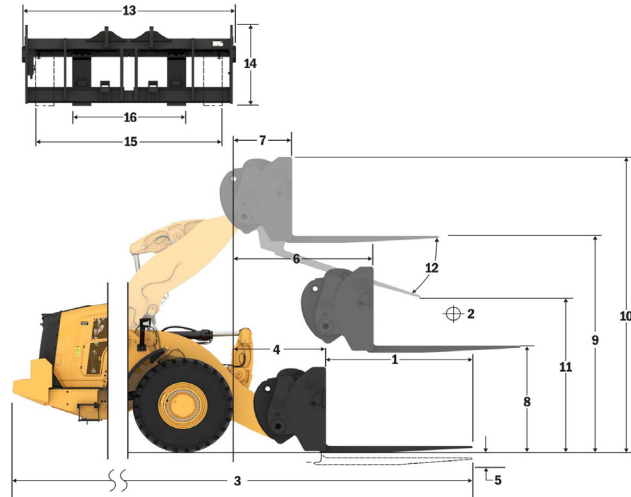
1	Tine Length	mm	1829
		in	72.0
2	Load Center	mm	915
		in	36.0
	Static Tipping Load - Straight (Forks Level)	kg	9527
		lbs	20998
	Static Tipping Load - Articulated (Forks Level)	kg	8193
		lbs	18058
	Rated Load (SAE J1197 - 50% FTSTL)	kg	4097
		lbs	9029
	Rated Load (CEN EN 474-3 Rough Terrain - 60% FTSTL)	kg	4916
		lbs	10835
	Rated Load (CEN EN 474-3 Firm and Level Ground - 80% FTSTL)	kg	6555
		lbs	14446
3	Maximum Overall Length	mm	9180
		in	361.4
4	Reach with Forks at Ground Level	mm	1124
		in	44.2
5	*Ground to Bottom of Tine at Minimum Height and Fork Level	mm	-88
		in	-3.5
6	Reach with Arms Horizontal and Forks Level	mm	1675
		in	66.0
7	Reach with Fork at Maximum Height	mm	903
		in	35.6
8	Ground to Top of Tine with Arms Horizontal and Fork Level	mm	1847
		in	72.7
9	Ground to Top of Tine at Maximum Height and Fork Level	mm	3776
		in	148.7
10	Overall Height of Fork at Full Lift (top of carriage to ground)	mm	4816
		in	189.6
11	Clearance at Full Lift and Max Dump	mm	1972
		in	77.6
12	Max Discharge Angle from Horizontal	deg	55
13	Overall Carriage Width	mm	2528
		in	99.5
14	Overall Carriage Height	mm	1130
		in	44.5
15	Outside Tine Width (max spread)	mm	2178
		in	85.7
16	Outside Tine Width (min spread)	mm	576
		in	22.7
	Tine Width (single tine)	mm	180.0
		in	7.1
	Tine Thickness	mm	90.0
		in	3.5
	Tine Capacity	kg	14800
		lbs	32619
	Operating Weight	kg	19069
		lbs	42028

\*Negative values indicate below grade

### 950 LOG Pallet Fork, FUSION

96" Carriage 72" Tine  
520-7957 520-7979

\*Build 14A  
\*Z-Bar Linkage  
\*Logging Configuration



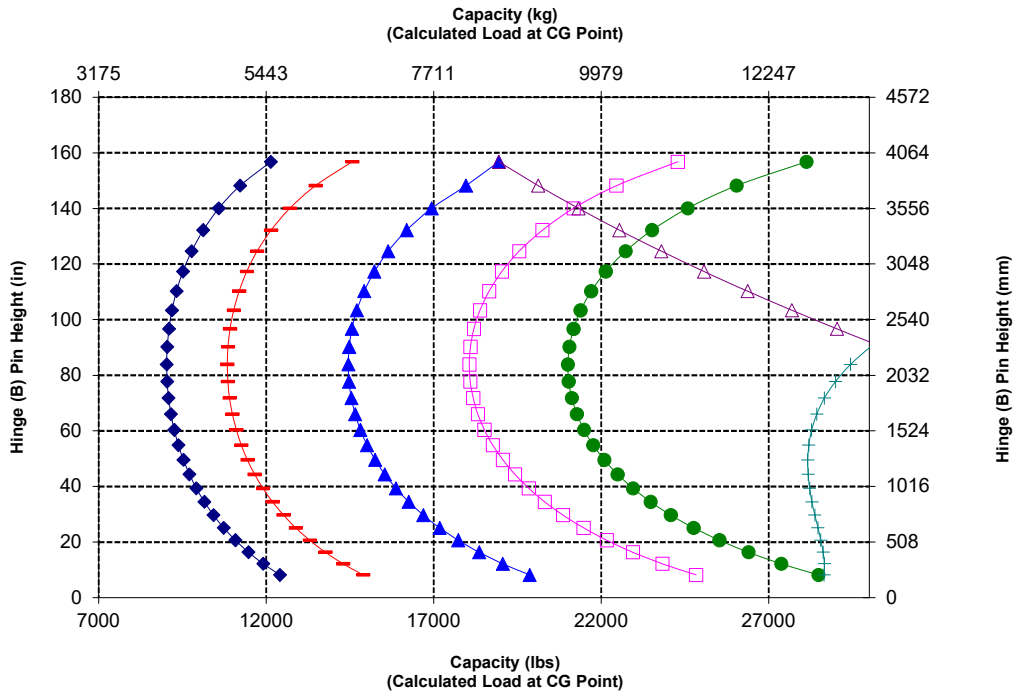
- ◆ Payload (SAE J1197)
- ◆ Payload (CEN EN 474-3 - Rough Terrain)
- ◆ Payload (CEN EN 474-3 - Firm & Level)
- ◆ Static Tipping Load - Articulated
- ◆ Static Tipping Load - Straight
- ◆ Hydraulic Tilt Capacity
- ◆ Hydraulic Lift Capacity

**NOTE:** Static tipping loads and operating weight are based on the following loader configuration: Bridgestone VJT L3 Tires, Air Conditioning, Ride Control, Powertrain Guard, Full Fluids, Fuel Tank, Coolant, Lubricants, and Operator.

Specifications and ratings conform to the following standards: SAE\* J1197, ISO 14397-1, CEN\*\* EN 474-3.

The rated operating load for a loader equipped with a pallet fork is determined by:  
SAE J1197: 50% of full turn static tipping load or hydraulic limit.  
CEN EN 474-3: 60% of full turn static tipping load on rough terrain or hydraulic limit.  
CEN EN 474-3: 80% of full turn static tipping load on firm and level ground or hydraulic limit.

\*SAE - Society of Automotive Engineers  
\*\*CEN - European Committee for Standardization



**WARNING:** Do not exceed tine load capacity. Individual tine capacity is stamped on the side of each tine.

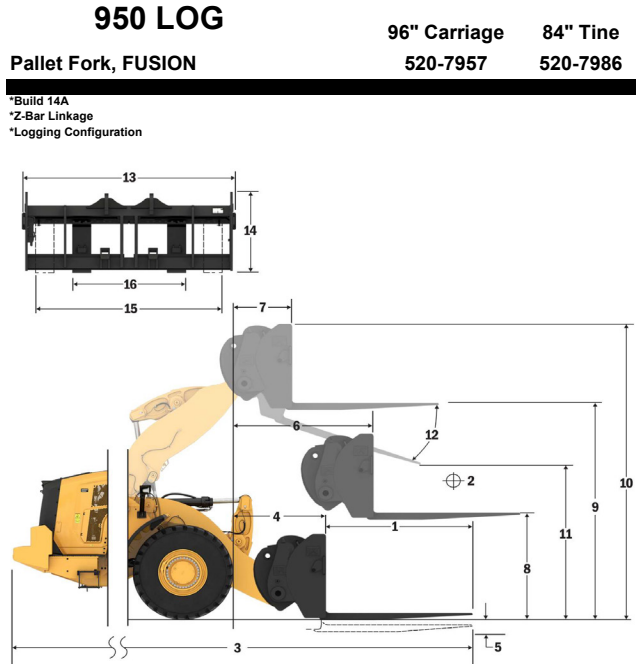
# 950 Forestry Machine Specifications

## Fork Specifications

### Fork Specifications

1	Tine Length	mm	2134
		in	84.0
2	Load Center	mm	1067
		in	42.0
	Static Tipping Load - Straight (Forks Level)	kg	9053
		lbs	19953
	Static Tipping Load - Articulated (Forks Level)	kg	7776
		lbs	17137
	Rated Load (SAE J1197 - 50% FTSTL)	kg	3888
		lbs	8569
	Rated Load (CEN EN 474-3 Rough Terrain - 60% FTSTL)	kg	4665
		lbs	10282
	Rated Load (CEN EN 474-3 Firm and Level Ground - 80% FTSTL)	kg	6220
		lbs	13710
3	Maximum Overall Length	mm	9485
		in	373.4
4	Reach with Forks at Ground Level	mm	1124
		in	44.2
5	*Ground to Bottom of Tine at Minimum Height and Fork Level	mm	-88
		in	-3.5
6	Reach with Arms Horizontal and Forks Level	mm	1675
		in	66.0
7	Reach with Fork at Maximum Height	mm	903
		in	35.6
8	Ground to Top of Tine with Arms Horizontal and Fork Level	mm	1847
		in	72.7
9	Ground to Top of Tine at Maximum Height and Fork Level	mm	3776
		in	148.7
10	Overall Height of Fork at Full Lift (top of carriage to ground)	mm	4816
		in	189.6
11	Clearance at Full Lift and Max Dump	mm	1723
		in	67.8
12	Max Discharge Angle from Horizontal	deg	55
13	Overall Carriage Width	mm	2528
		in	99.5
14	Overall Carriage Height	mm	1130
		in	44.5
15	Outside Tine Width (max spread)	mm	2178
		in	85.7
16	Outside Tine Width (min spread)	mm	576
		in	22.7
	Tine Width (single tine)	mm	180.0
		in	7.1
	Tine Thickness	mm	90.0
		in	3.5
	Tine Capacity	kg	12700
		lbs	27991
	Operating Weight	kg	19132
		lbs	42167

\*Negative values indicate below grade



**950 LOG**  
Pallet Fork, FUSION

96" Carriage 84" Tine  
520-7957 520-7986

\*Build 14A  
\*Z-Bar Linkage  
\*Logging Configuration

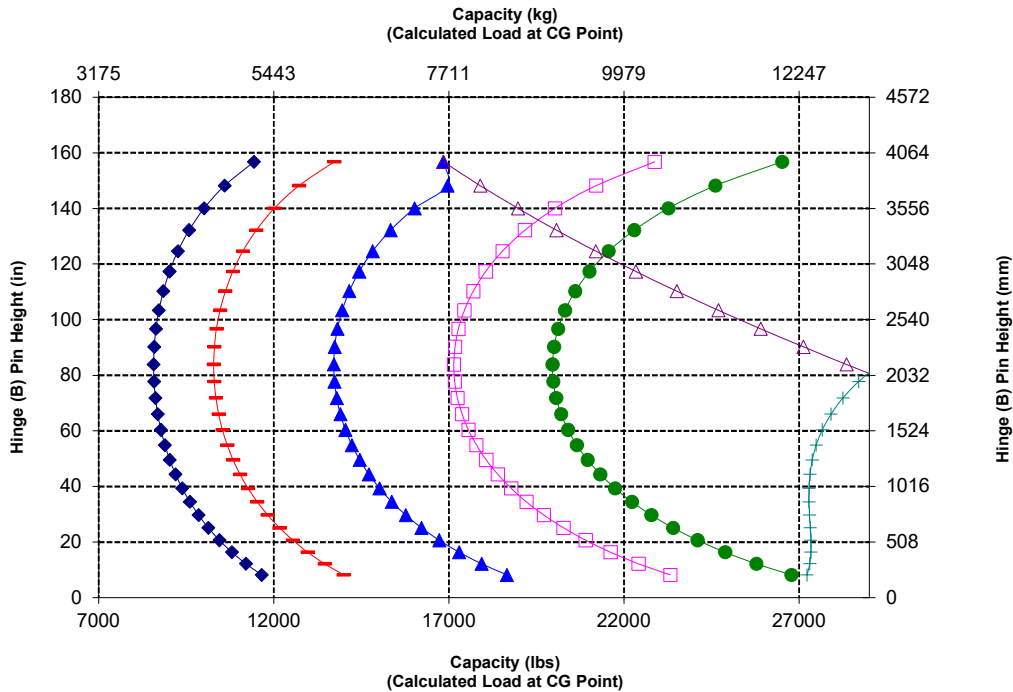
- ◆ Payload (SAE J1197)
- ◆ Payload (CEN EN 474-3 - Rough Terrain)
- ◆ Payload (CEN EN 474-3 - Firm & Level)
- ◆ Static Tipping Load - Articulated
- ◆ Static Tipping Load - Straight
- ◆ Hydraulic Tilt Capacity
- ◆ Hydraulic Lift Capacity

**NOTE:** Static tipping loads and operating weight are based on the following loader configuration: Bridgestone VJT L3 Tires, Air Conditioning, Ride Control, Powertrain Guard, Full Fluids, Fuel Tank, Coolant, Lubricants, and Operator.

Specifications and ratings conform to the following standards: SAE\* J1197, ISO 14397-1, CEN\*\* EN 474-3.

The rated operating load for a loader equipped with a pallet fork is determined by:  
SAE J1197: 50% of full turn static tipping load or hydraulic limit.  
CEN EN 474-3: 60% of full turn static tipping load on rough terrain or hydraulic limit.  
CEN EN 474-3: 80% of full turn static tipping load on firm and level ground or hydraulic limit.

\*SAE - Society of Automotive Engineers  
\*\*CEN - European Committee for Standardization



**WARNING:** Do not exceed tine load capacity. Individual tine capacity is stamped on the side of each tine.

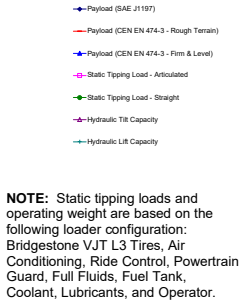
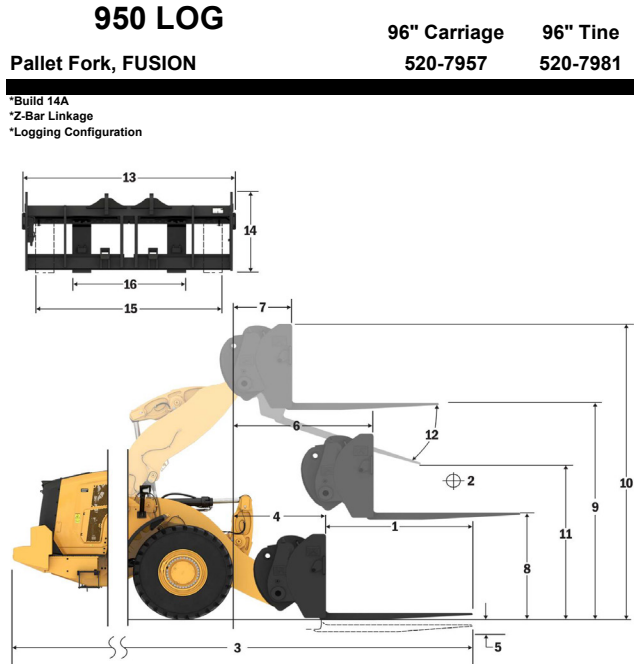
# 950 Forestry Machine Specifications

## Fork Specifications

### Fork Specifications

1	Tine Length	mm	2438
		in	96.0
2	Load Center	mm	1219
		in	48.0
	Static Tipping Load - Straight (Forks Level)	kg	8615
		lbs	18987
	Static Tipping Load - Articulated (Forks Level)	kg	7389
		lbs	16286
	Rated Load (SAE J1197 - 50% FTSTL)	kg	3695
		lbs	8143
	Rated Load (CEN EN 474-3 Rough Terrain - 60% FTSTL)	kg	4434
		lbs	9772
	Rated Load (CEN EN 474-3 Firm and Level Ground - 80% FTSTL)	kg	5912
		lbs	13029
3	Maximum Overall Length	mm	9789
		in	385.4
4	Reach with Forks at Ground Level	mm	1124
		in	44.2
5	*Ground to Bottom of Tine at Minimum Height and Fork Level	mm	-88
		in	-3.5
6	Reach with Arms Horizontal and Forks Level	mm	1675
		in	66.0
7	Reach with Fork at Maximum Height	mm	903
		in	35.6
8	Ground to Top of Tine with Arms Horizontal and Fork Level	mm	1847
		in	72.7
9	Ground to Top of Tine at Maximum Height and Fork Level	mm	3776
		in	148.7
10	Overall Height of Fork at Full Lift (top of carriage to ground)	mm	4816
		in	189.6
11	Clearance at Full Lift and Max Dump	mm	1476
		in	58.1
12	Max Discharge Angle from Horizontal	deg	55
13	Overall Carriage Width	mm	2528
		in	99.5
14	Overall Carriage Height	mm	1130
		in	44.5
15	Outside Tine Width (max spread)	mm	2178
		in	85.7
16	Outside Tine Width (min spread)	mm	576
		in	22.7
	Tine Width (single tine)	mm	180.0
		in	7.1
	Tine Thickness	mm	90.0
		in	3.5
	Tine Capacity	kg	11300
		lbs	24905
	Operating Weight	kg	19194
		lbs	42303

\*Negative values indicate below grade

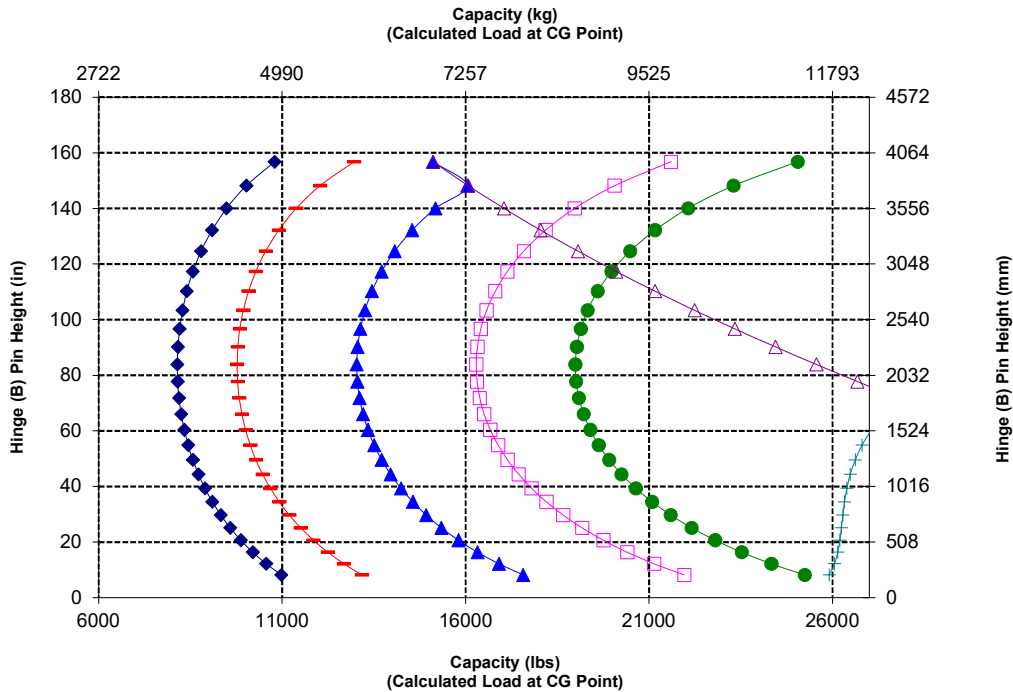


**NOTE:** Static tipping loads and operating weight are based on the following loader configuration: Bridgestone VJT L3 Tires, Air Conditioning, Ride Control, Powertrain Guard, Full Fluids, Fuel Tank, Coolant, Lubricants, and Operator.

Specifications and ratings conform to the following standards: SAE\* J1197, ISO 14397-1, CEN\*\* EN 474-3.

The rated operating load for a loader equipped with a pallet fork is determined by:  
SAE J1197: 50% of full turn static tipping load or hydraulic limit.  
CEN EN 474-3: 60% of full turn static tipping load on rough terrain or hydraulic limit.  
CEN EN 474-3: 80% of full turn static tipping load on firm and level ground or hydraulic limit.

\*SAE - Society of Automotive Engineers  
\*\*CEN - European Committee for Standardization



**WARNING:** Do not exceed tine load capacity. Individual tine capacity is stamped on the side of each tine.

# 950 Forestry Machine Specifications

## Fork Specifications

### Fork Specifications

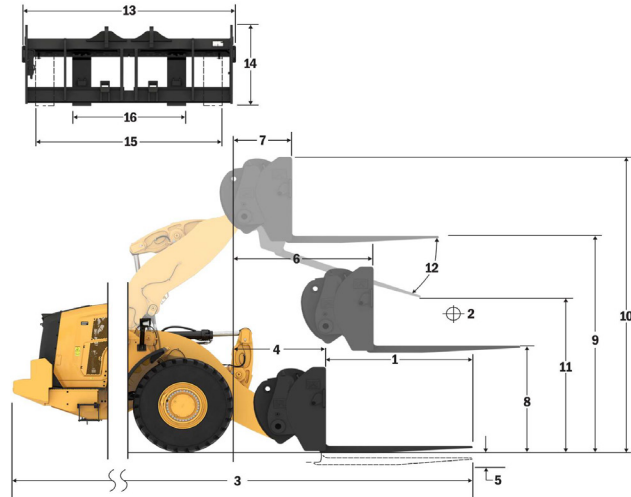
1	Tine Length	mm	1219
		in	48.0
2	Load Center	mm	610
		in	24.0
	Static Tipping Load - Straight (Forks Level)	kg	10557
		lbs	23267
	Static Tipping Load - Articulated (Forks Level)	kg	9093
		lbs	20041
	Rated Load (SAE J1197 - 50% FTSTL)	kg	4546
		lbs	10020
	Rated Load (CEN EN 474-3 Rough Terrain - 60% FTSTL)	kg	5456
		lbs	12024
	Rated Load (CEN EN 474-3 Firm and Level Ground - 80% FTSTL)	kg	7274
		lbs	16033
3	Maximum Overall Length	mm	8570
		in	337.4
4	Reach with Forks at Ground Level	mm	1123
		in	44.2
5	*Ground to Bottom of Tine at Minimum Height and Fork Level	mm	-88
		in	-3.5
6	Reach with Arms Horizontal and Forks Level	mm	1675
		in	65.9
7	Reach with Fork at Maximum Height	mm	903
		in	35.6
8	Ground to Top of Tine with Arms Horizontal and Fork Level	mm	1847
		in	72.7
9	Ground to Top of Tine at Maximum Height and Fork Level	mm	3776
		in	148.7
10	Overall Height of Fork at Full Lift (top of carriage to ground)	mm	4816
		in	189.6
11	Clearance at Full Lift and Max Dump	mm	2468
		in	97.2
12	Max Discharge Angle from Horizontal	deg	55
13	Overall Carriage Width	mm	2833
		in	111.5
14	Overall Carriage Height	mm	1130
		in	44.5
15	Outside Tine Width (max spread)	mm	2493
		in	98.1
16	Outside Tine Width (min spread)	mm	590
		in	23.2
	Tine Width (single tine)	mm	180.0
		in	7.1
	Tine Thickness	mm	90.0
		in	3.5
	Tine Capacity	kg	22200
		lbs	48929
	Operating Weight	kg	18995
		lbs	41865

\*Negative values indicate below grade

### 950 LOG Pallet Fork, FUSION

108" Carriage 48" Tine  
520-7968 520-7985

\*Build 14A  
\*Z-Bar Linkage  
\*Logging Configuration



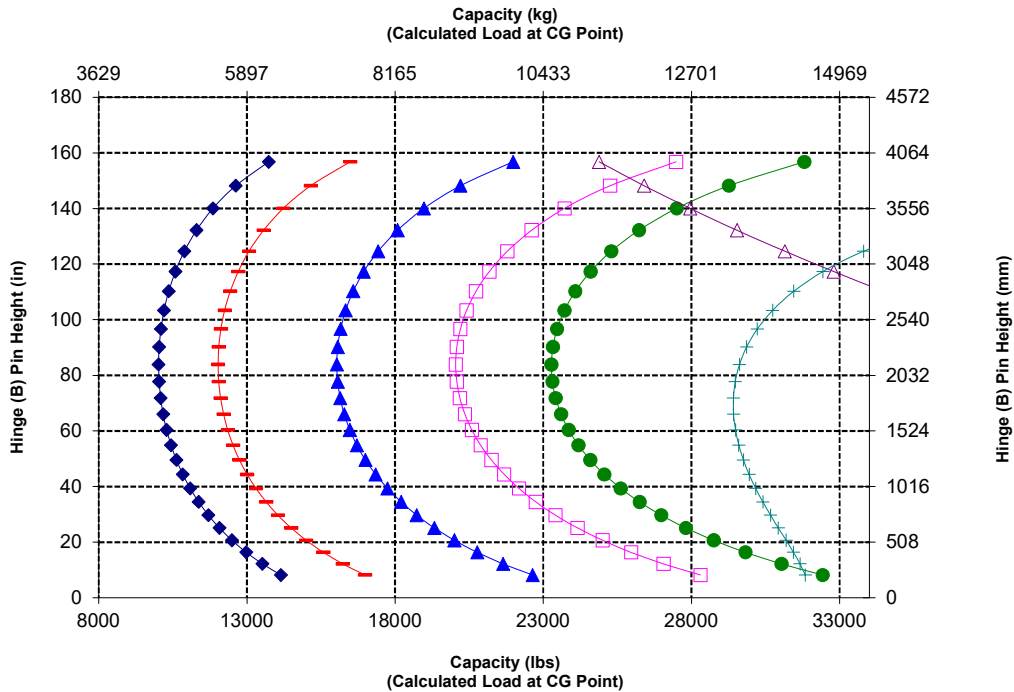
- ◆ Payload (SAE J1197)
- ◆ Payload (CEN EN 474-3 - Rough Terrain)
- ◆ Payload (CEN EN 474-3 - Firm & Level)
- ◆ Static Tipping Load - Articulated
- ◆ Static Tipping Load - Straight
- ◆ Hydraulic TR Capacity
- ◆ Hydraulic LR Capacity

**NOTE:** Static tipping loads and operating weight are based on the following loader configuration: Bridgestone VJT L3 Tires, Air Conditioning, Ride Control, Powertrain Guard, Full Fluids, Fuel Tank, Coolant, Lubricants, and Operator.

Specifications and ratings conform to the following standards: SAE\* J1197, ISO 14397-1, CEN\*\* EN 474-3.

The rated operating load for a loader equipped with a pallet fork is determined by:  
SAE J1197: 50% of full turn static tipping load or hydraulic limit.  
CEN EN 474-3: 60% of full turn static tipping load on rough terrain or hydraulic limit.  
CEN EN 474-3: 80% of full turn static tipping load on firm and level ground or hydraulic limit.

\*SAE - Society of Automotive Engineers  
\*\*CEN - European Committee for Standardization



**WARNING:** Do not exceed tine load capacity. Individual tine capacity is stamped on the side of each tine.



## Fork Specifications

### Fork Specifications

1	Tine Length	mm	1524
		in	60.0
2	Load Center	mm	762
		in	30.0
	Static Tipping Load - Straight (Forks Level)	kg	10004
		lbs	22048
	Static Tipping Load - Articulated (Forks Level)	kg	8608
		lbs	18971
	Rated Load (SAE J1197 - 50% FTSTL)	kg	4304
		lbs	9486
	Rated Load (CEN EN 474-3 Rough Terrain - 60% FTSTL)	kg	5165
		lbs	11383
	Rated Load (CEN EN 474-3 Firm and Level Ground - 80% FTSTL)	kg	6886
		lbs	15177
3	Maximum Overall Length	mm	8875
		in	349.4
4	Reach with Forks at Ground Level	mm	1124
		in	44.2
5	*Ground to Bottom of Tine at Minimum Height and Fork Level	mm	-88
		in	-3.5
6	Reach with Arms Horizontal and Forks Level	mm	1675
		in	66.0
7	Reach with Fork at Maximum Height	mm	903
		in	35.6
8	Ground to Top of Tine with Arms Horizontal and Fork Level	mm	1847
		in	72.7
9	Ground to Top of Tine at Maximum Height and Fork Level	mm	3776
		in	148.7
10	Overall Height of Fork at Full Lift (top of carriage to ground)	mm	4816
		in	189.6
11	Clearance at Full Lift and Max Dump	mm	2220
		in	87.4
12	Max Discharge Angle from Horizontal	deg	55
13	Overall Carriage Width	mm	2833
		in	111.5
14	Overall Carriage Height	mm	1130
		in	44.5
15	Outside Tine Width (max spread)	mm	2483
		in	97.8
16	Outside Tine Width (min spread)	mm	590
		in	23.2
	Tine Width (single tine)	mm	180.0
		in	7.1
	Tine Thickness	mm	90.0
		in	3.5
	Tine Capacity	kg	17800
		lbs	39231
	Operating Weight	kg	19057
		lbs	42001

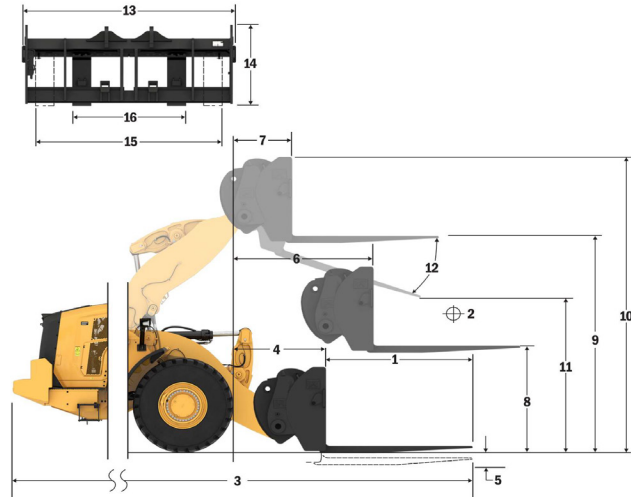
\*Negative values indicate below grade

### 950 LOG Pallet Fork, FUSION

108" Carriage 60" Tine

520-7968 520-7980

\*Build 14A  
\*Z-Bar Linkage  
\*Logging Configuration



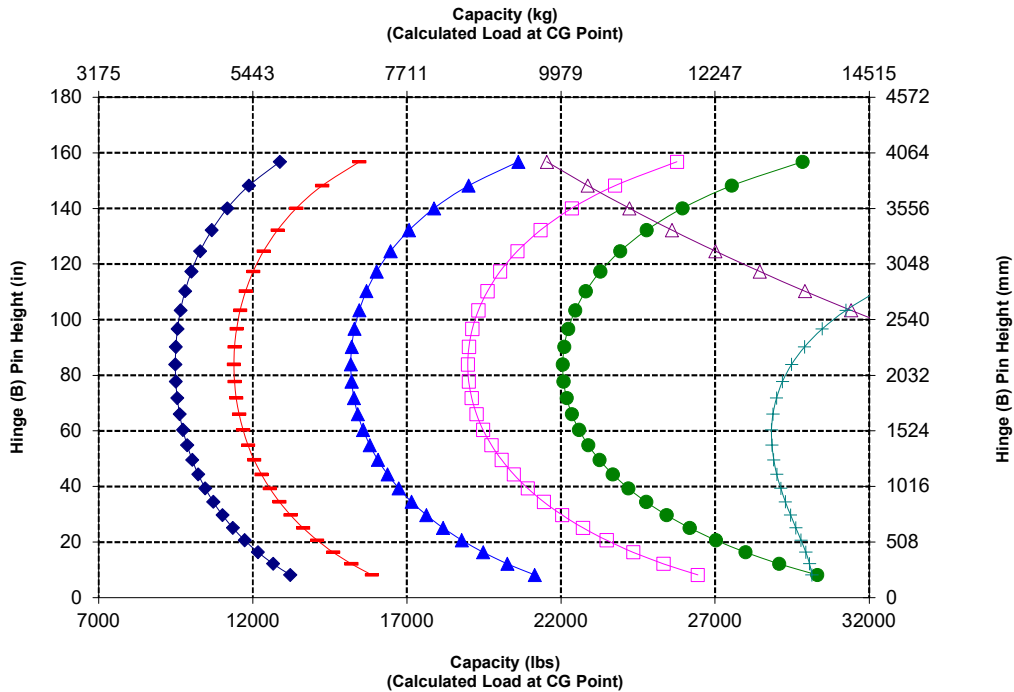
- ◆ Payload (SAE J1197)
- ◆ Payload (CEN EN 474-3 - Rough Terrain)
- ◆ Payload (CEN EN 474-3 - Firm & Level)
- ◆ Static Tipping Load - Articulated
- ◆ Static Tipping Load - Straight
- ◆ Hydraulic Tilt Capacity
- ◆ Hydraulic Lift Capacity

**NOTE:** Static tipping loads and operating weight are based on the following loader configuration: Bridgestone VJT L3 Tires, Air Conditioning, Ride Control, Powertrain Guard, Full Fluids, Fuel Tank, Coolant, Lubricants, and Operator.

Specifications and ratings conform to the following standards: SAE\* J1197, ISO 14397-1, CEN\*\* EN 474-3.

The rated operating load for a loader equipped with a pallet fork is determined by:  
SAE J1197: 50% of full turn static tipping load or hydraulic limit.  
CEN EN 474-3: 60% of full turn static tipping load on rough terrain or hydraulic limit.  
CEN EN 474-3: 80% of full turn static tipping load on firm and level ground or hydraulic limit.

\*SAE - Society of Automotive Engineers  
\*\*CEN - European Committee for Standardization



**WARNING:** Do not exceed tine load capacity. Individual tine capacity is stamped on the side of each tine.

# 950 Forestry Machine Specifications

## Fork Specifications

### Fork Specifications

1	Tine Length	mm	1829
		in	72.0
2	Load Center	mm	915
		in	36.0
	Static Tipping Load - Straight (Forks Level)	kg	9493
		lbs	20923
	Static Tipping Load - Articulated (Forks Level)	kg	8159
		lbs	17982
	Rated Load (SAE J1197 - 50% FTSTL)	kg	4080
		lbs	8991
	Rated Load (CEN EN 474-3 Rough Terrain - 60% FTSTL)	kg	4895
		lbs	10789
	Rated Load (CEN EN 474-3 Firm and Level Ground - 80% FTSTL)	kg	6527
		lbs	14386
3	Maximum Overall Length	mm	9180
		in	361.4
4	Reach with Forks at Ground Level	mm	1124
		in	44.2
5	*Ground to Bottom of Tine at Minimum Height and Fork Level	mm	-88
		in	-3.5
6	Reach with Arms Horizontal and Forks Level	mm	1675
		in	66.0
7	Reach with Fork at Maximum Height	mm	903
		in	35.6
8	Ground to Top of Tine with Arms Horizontal and Fork Level	mm	1847
		in	72.7
9	Ground to Top of Tine at Maximum Height and Fork Level	mm	3776
		in	148.7
10	Overall Height of Fork at Full Lift (top of carriage to ground)	mm	4816
		in	189.6
11	Clearance at Full Lift and Max Dump	mm	1972
		in	77.6
12	Max Discharge Angle from Horizontal	deg	55
13	Overall Carriage Width	mm	2833
		in	111.5
14	Overall Carriage Height	mm	1130
		in	44.5
15	Outside Tine Width (max spread)	mm	2483
		in	97.8
16	Outside Tine Width (min spread)	mm	590
		in	23.2
	Tine Width (single tine)	mm	180.0
		in	7.1
	Tine Thickness	mm	90.0
		in	3.5
	Tine Capacity	kg	14800
		lbs	32619
	Operating Weight	kg	19119
		lbs	42138

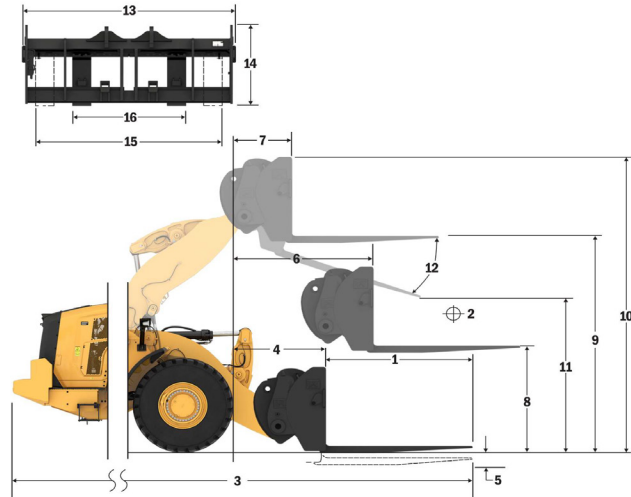
\*Negative values indicate below grade

## 950 LOG Pallet Fork, FUSION

108" Carriage 72" Tine

520-7968 520-7979

\*Build 14A  
\*Z-Bar Linkage  
\*Logging Configuration



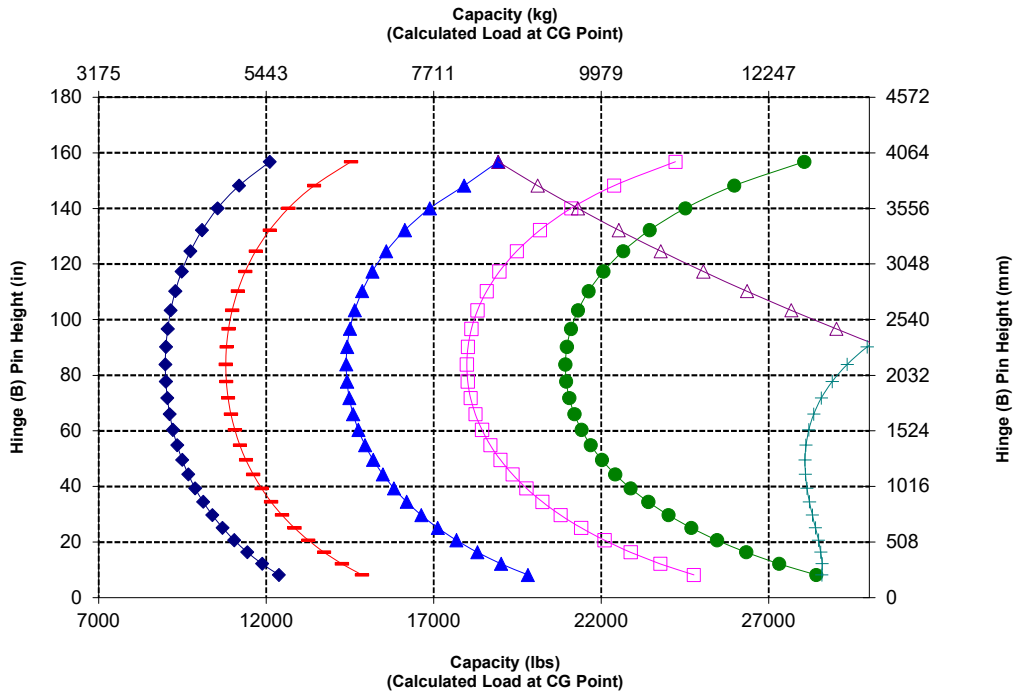
- ◆ Payload (SAE J1197)
- ◆ Payload (CEN EN 474-3 - Rough Terrain)
- ◆ Payload (CEN EN 474-3 - Firm & Level)
- ◆ Static Tipping Load - Articulated
- ◆ Static Tipping Load - Straight
- ◆ Hydraulic Tilt Capacity
- ◆ Hydraulic Lift Capacity

**NOTE:** Static tipping loads and operating weight are based on the following loader configuration: Bridgestone VJT L3 Tires, Air Conditioning, Ride Control, Powertrain Guard, Full Fluids, Fuel Tank, Coolant, Lubricants, and Operator.

Specifications and ratings conform to the following standards: SAE\* J1197, ISO 14397-1, CEN\*\* EN 474-3.

The rated operating load for a loader equipped with a pallet fork is determined by:  
SAE J1197: 50% of full turn static tipping load or hydraulic limit.  
CEN EN 474-3: 60% of full turn static tipping load on rough terrain or hydraulic limit.  
CEN EN 474-3: 80% of full turn static tipping load on firm and level ground or hydraulic limit.

\*SAE - Society of Automotive Engineers  
\*\*CEN - European Committee for Standardization



**WARNING:** Do not exceed tine load capacity. Individual tine capacity is stamped on the side of each tine.

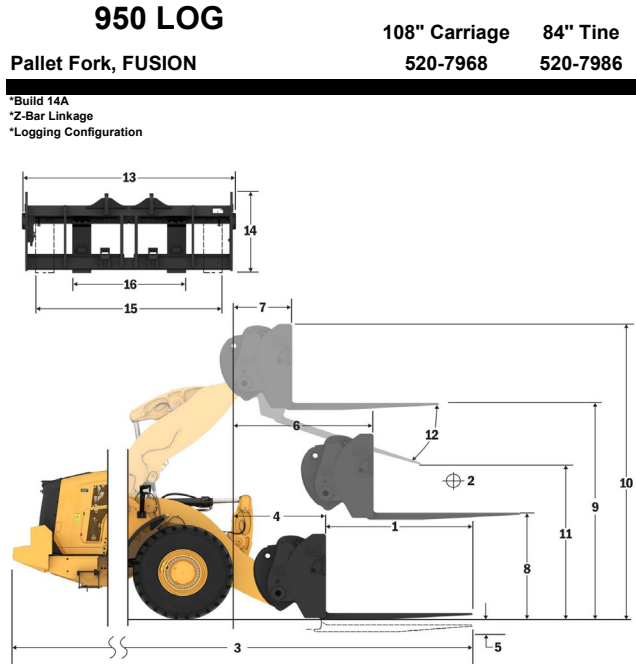
# 950 Forestry Machine Specifications

## Fork Specifications

### Fork Specifications

1	Tine Length	mm	2134
		in	84.0
2	Load Center	mm	1067
		in	42.0
	Static Tipping Load - Straight (Forks Level)	kg	9021
		lbs	19882
	Static Tipping Load - Articulated (Forks Level)	kg	7744
		lbs	17067
	Rated Load (SAE J1197 - 50% FTSTL)	kg	3872
		lbs	8534
	Rated Load (CEN EN 474-3 Rough Terrain - 60% FTSTL)	kg	4646
		lbs	10240
	Rated Load (CEN EN 474-3 Firm and Level Ground - 80% FTSTL)	kg	6195
		lbs	13654
3	Maximum Overall Length	mm	9485
		in	373.4
4	Reach with Forks at Ground Level	mm	1124
		in	44.2
5	*Ground to Bottom of Tine at Minimum Height and Fork Level	mm	-88
		in	-3.5
6	Reach with Arms Horizontal and Forks Level	mm	1675
		in	66.0
7	Reach with Fork at Maximum Height	mm	903
		in	35.6
8	Ground to Top of Tine with Arms Horizontal and Fork Level	mm	1847
		in	72.7
9	Ground to Top of Tine at Maximum Height and Fork Level	mm	3776
		in	148.7
10	Overall Height of Fork at Full Lift (top of carriage to ground)	mm	4816
		in	189.6
11	Clearance at Full Lift and Max Dump	mm	1723
		in	67.8
12	Max Discharge Angle from Horizontal	deg	55
13	Overall Carriage Width	mm	2833
		in	111.5
14	Overall Carriage Height	mm	1130
		in	44.5
15	Outside Tine Width (max spread)	mm	2483
		in	97.8
16	Outside Tine Width (min spread)	mm	590
		in	23.2
	Tine Width (single tine)	mm	180.0
		in	7.1
	Tine Thickness	mm	90.0
		in	3.5
	Tine Capacity	kg	12700
		lbs	27991
	Operating Weight	kg	19181
		lbs	42275

\*Negative values indicate below grade



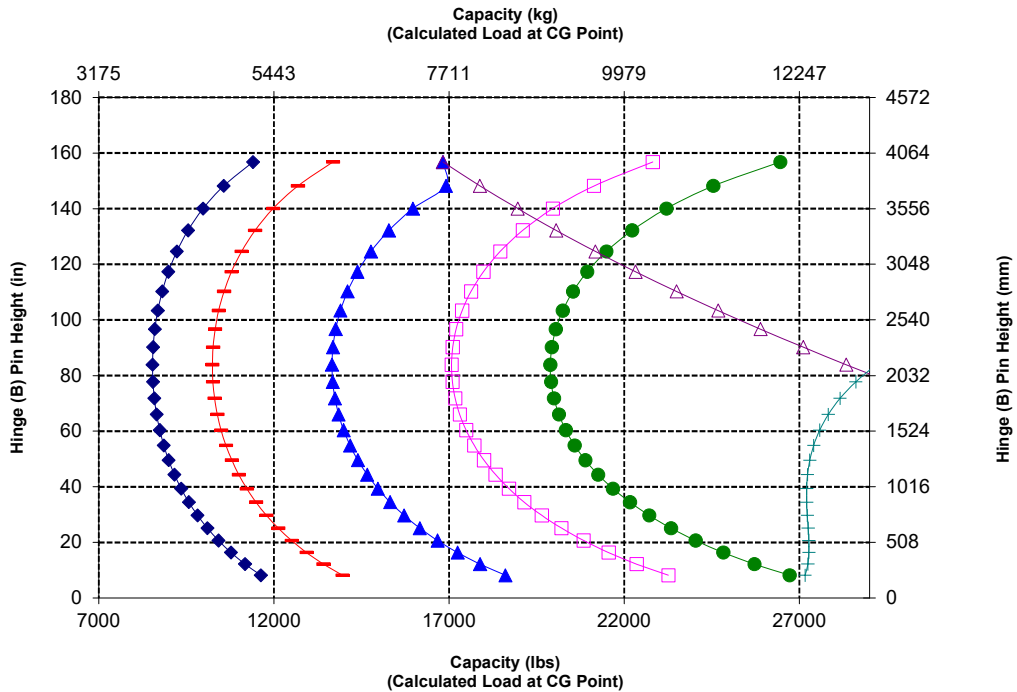
\*Build 14A  
\*Z-Bar Linkage  
\*Logging Configuration

NOTE: Static tipping loads and operating weight are based on the following loader configuration: Bridgestone VJT L3 Tires, Air Conditioning, Ride Control, Powertrain Guard, Full Fluids, Fuel Tank, Coolant, Lubricants, and Operator.

Specifications and ratings conform to the following standards: SAE\* J1197, ISO 14397-1, CEN\*\* EN 474-3.

The rated operating load for a loader equipped with a pallet fork is determined by:  
SAE J1197: 50% of full turn static tipping load or hydraulic limit.  
CEN EN 474-3: 60% of full turn static tipping load on rough terrain or hydraulic limit.  
CEN EN 474-3: 80% of full turn static tipping load on firm and level ground or hydraulic limit.

\*SAE - Society of Automotive Engineers  
\*\*CEN - European Committee for Standardization



**WARNING:** Do not exceed tine load capacity. Individual tine capacity is stamped on the side of each tine.

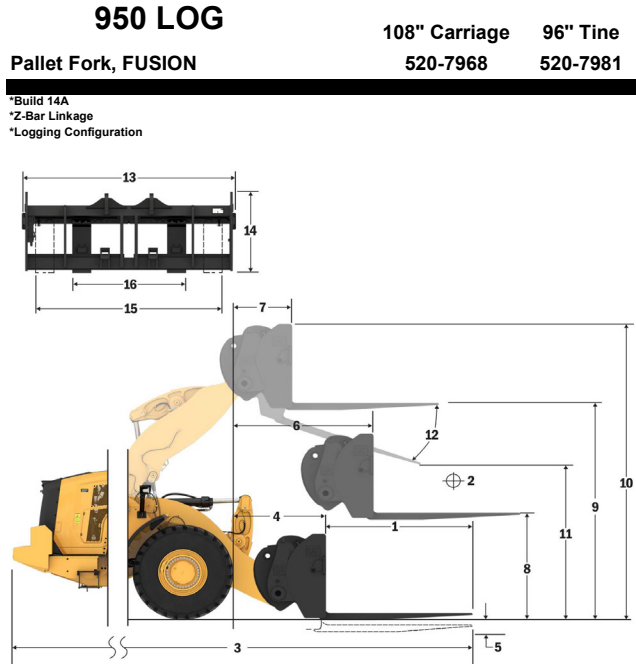
# 950 Forestry Machine Specifications

## Fork Specifications

### Fork Specifications

1	Tine Length	mm	2438
		in	96.0
2	Load Center	mm	1219
		in	48.0
	Static Tipping Load - Straight (Forks Level)	kg	8583
		lbs	18917
	Static Tipping Load - Articulated (Forks Level)	kg	7358
		lbs	16217
	Rated Load (SAE J1197 - 50% FTSTL)	kg	3679
		lbs	8108
	Rated Load (CEN EN 474-3 Rough Terrain - 60% FTSTL)	kg	4415
		lbs	9730
	Rated Load (CEN EN 474-3 Firm and Level Ground - 80% FTSTL)	kg	5886
		lbs	12974
3	Maximum Overall Length	mm	9789
		in	385.4
4	Reach with Forks at Ground Level	mm	1124
		in	44.2
5	*Ground to Bottom of Tine at Minimum Height and Fork Level	mm	-88
		in	-3.5
6	Reach with Arms Horizontal and Forks Level	mm	1675
		in	66.0
7	Reach with Fork at Maximum Height	mm	903
		in	35.6
8	Ground to Top of Tine with Arms Horizontal and Fork Level	mm	1847
		in	72.7
9	Ground to Top of Tine at Maximum Height and Fork Level	mm	3776
		in	148.7
10	Overall Height of Fork at Full Lift (top of carriage to ground)	mm	4816
		in	189.6
11	Clearance at Full Lift and Max Dump	mm	1476
		in	58.1
12	Max Discharge Angle from Horizontal	deg	55
13	Overall Carriage Width	mm	2833
		in	111.5
14	Overall Carriage Height	mm	1130
		in	44.5
15	Outside Tine Width (max spread)	mm	2483
		in	97.8
16	Outside Tine Width (min spread)	mm	590
		in	23.2
	Tine Width (single tine)	mm	180.0
		in	7.1
	Tine Thickness	mm	90.0
		in	3.5
	Tine Capacity	kg	11300
		lbs	24905
	Operating Weight	kg	19244
		lbs	42414

\*Negative values indicate below grade



**950 LOG**  
Pallet Fork, FUSION

108" Carriage 96" Tine  
520-7968 520-7981

\*Build 14A  
\*Z-Bar Linkage  
\*Logging Configuration

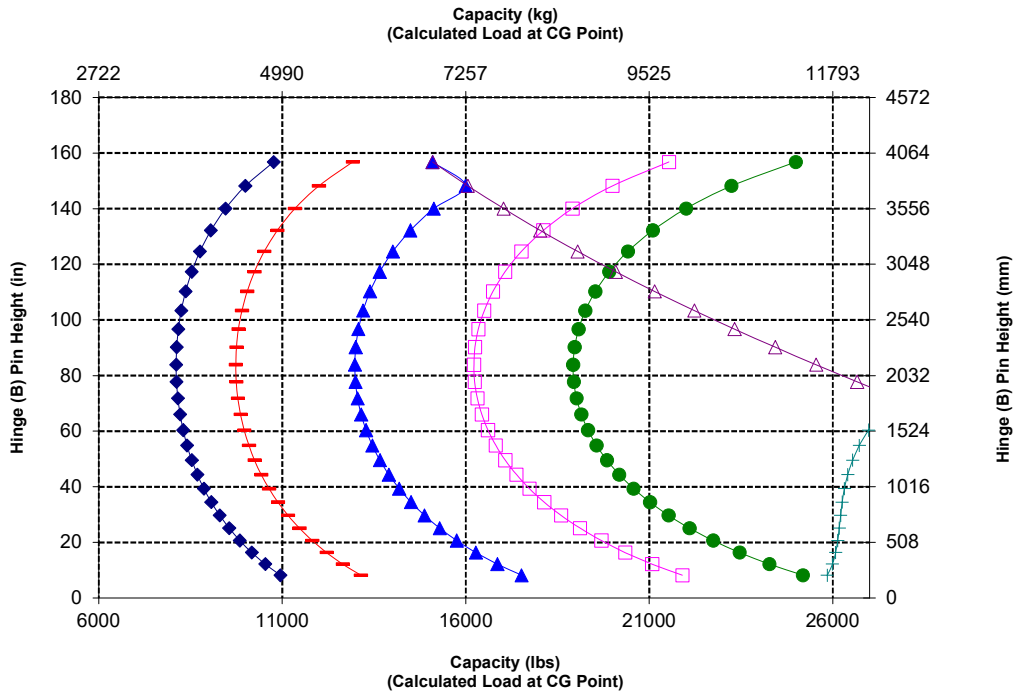
- ◆ Payload (SAE J1197)
- Payload (CEN EN 474-3 - Rough Terrain)
- ▲ Payload (CEN EN 474-3 - Firm & Level)
- Static Tipping Load - Articulated
- Static Tipping Load - Straight
- ▲ Hydraulic Tilt Capacity
- Hydraulic Lift Capacity

**NOTE:** Static tipping loads and operating weight are based on the following loader configuration: Bridgestone VJT L3 Tires, Air Conditioning, Ride Control, Powertrain Guard, Full Fluids, Fuel Tank, Coolant, Lubricants, and Operator.

Specifications and ratings conform to the following standards: SAE\* J1197, ISO 14397-1, CEN\*\* EN 474-3.

The rated operating load for a loader equipped with a pallet fork is determined by:  
SAE J1197: 50% of full turn static tipping load or hydraulic limit.  
CEN EN 474-3: 60% of full turn static tipping load on rough terrain or hydraulic limit.  
CEN EN 474-3: 80% of full turn static tipping load on firm and level ground or hydraulic limit.

\*SAE - Society of Automotive Engineers  
\*\*CEN - European Committee for Standardization



**WARNING:** Do not exceed tine load capacity. Individual tine capacity is stamped on the side of each tine.



# 950

## Steel Mill

**The Cat 950 Wheel Loader Steel Mill package is designed for the challenging work environment of steel mills and slag handling applications, incorporating an added level of safety.**

### Proven Reliability

- Cat C7.1 engine offers high power density with a combination of proven electronics, fuel, and air systems.
- Features an electric fuel priming pump, fuel-water separator, and secondary filtration system.
- Thorough component design and machine validation processes result in unmatched reliability and uptime.

### Durability

- Steel mill package adds additional steel guards all around the machine to protect your investment.
- Hydraulic hoses and electrical harnesses outside of the frame are insulated and wrapped with stainless steel braiding.
- Heavy-duty hinge pins with a cross hatch design and high temp bushings are purpose built.
- Heavy-duty steel cable lower steps stand up to the harshest of conditions.
- Heavy-duty axles are designed to handle extreme applications.

### Achieve Greater Fuel Efficiency and Productivity

- Five-speed transmission and lock-up clutch torque converter, powertrains deliver smooth shifting, fast acceleration, and speed on grade for greater performance and fuel efficiency
- Single clutch and lock-to-lock shifting for faster acceleration and speed on grades.
- Automatic idle engine shutdown system significantly reduces idle time, overall operating hours, and fuel consumption.
- Deeply integrated engine, powertrain, and hydraulic systems deliver unmatched productivity and fuel efficiency.
- In-cab parking brake and transmission override controls provide an added level of machine protection for steel mill applications.

### Safety Features

- Ground-level parking brake override and engine shutdown switches for emergency machine retrieval.
- Optional rear egress stairs allow for another point of machine exit for the operator.
- Rearview camera enhances visibility behind the machine, helping you work safely and confidently.
- Cab access with wide door, optional remote door opening, and stair-like steps add solid stability.

- Floor-to-ceiling windshield, large mirrors with integrated spot mirrors, and rearview camera provide industry leading all-around visibility.
- Optional multiview (360°) vision system helps the operator monitor the surroundings of the machine at all times.
- Optional Cat Detect radar technology enhances awareness by monitoring the working environment and alerts operators to hazards.

### Reduced Maintenance Time and Costs

- Extended fluid and filter change intervals reduce maintenance costs by up to 35%.\*
- Remote Troubleshoot can connect the machine to the dealer service department to help diagnose problems quickly so you can get back to work.
- Remote Flash works around your schedule to ensure your machine's software is up to date for optimal performance.
- The Cat app helps you manage fleet location, hours, and maintenance schedules; it also alerts you for required maintenance and allows you to request service from your local Cat dealer.
- One-piece tilting hood makes engine compartment access fast and easy.
- Optional integrated autolube extends component and service life.

### Work in Comfort in the All New Cab

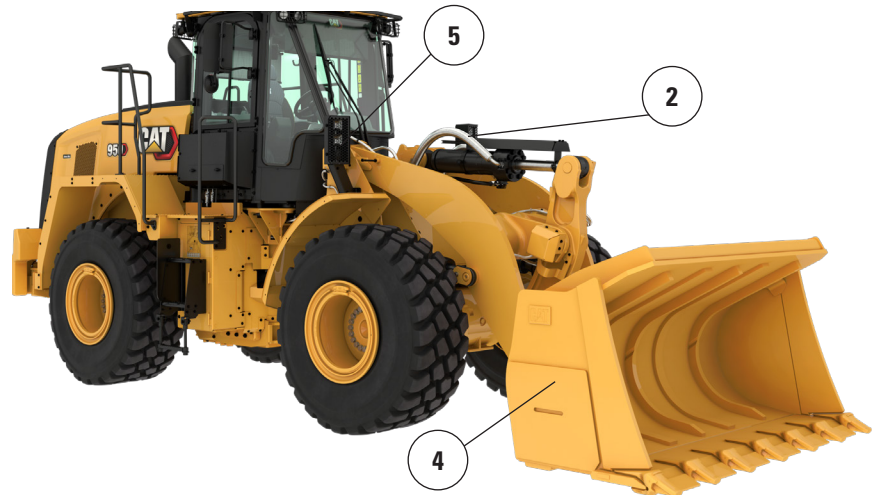
- Next-generation, easily adjustable seat and suspension for improved operator comfort. It comes in three trim levels and can be equipped with a 4-point harness.
- New in-cab dashboard and high-resolution touch display(s) are easy to use, intuitive, and user friendly.
- Sound suppression, seals, and viscous cab mounts decrease noise and vibration for a quieter work environment.
- The standard hydraulic metering unit (HMU) steering wheel provides precision control, resulting in excellent comfort and accuracy. An optional seat-mounted electro-hydraulic joystick steering system (replaces the HMU steering wheel) is also available in many regions.

*\*Parts and fluids only.*

# 950 Steel Mill Specifications

## 950 Steel Mill Features

1. Hydraulic hoses and electrical harness are wrapped with a thermal sleeve
2. Hoses and harnesses outside of the frame have an additional stainless-steel sleeve applied
3. Added steel guards include crankcase, powertrain, front frame, hitch, steering cylinder, service center, cab, platform, implement valve cover, and tilt cylinder
4. Heavy-duty hinge pins with a cross hatch design and high temp bushings are purpose built
5. Front lights are guarded and positioned close to the frame for added protection



6. Ground-level parking brake override and engine shutdown switches
7. Optional rear egress with fire suppression left-hand mounting point available
8. Steel roof cap and steel mirrors integrated into the cab
9. In-cab parking brake and transmission override controls
10. In-cab secondary engine start
11. Non-bonded flat front cab glass allows for easy replacement
12. Eco-Safe FR46 hydraulic fluid available from the factory
13. Heavy-duty steel cable steps

## Tire Options

Tire Brand	Bridgestone	Michelin	Michelin	Bridgestone	Bridgestone
<b>Tire Size</b>	<b>23.5R25</b>	<b>23.5R25</b>	<b>23.5R25</b>	<b>23.5R25</b>	<b>23.5-25</b>
<b>Tread Type</b>	<b>L-3</b>	<b>L-3</b>	<b>L-5</b>	<b>L-5</b>	<b>L-3</b>
<b>Tread Pattern</b>	<b>VJT</b>	<b>XHA2</b>	<b>XLD D2</b>	<b>VSDL</b>	<b>VL2</b>
<b>Casing Strength</b>	<b>*</b>	<b>*</b>	<b>*</b>	<b>*</b>	<b>20PR</b>
Width over Tires – Maximum (empty)*	2800 mm 9'3"	2816 mm 9'3"	2819 mm 9'4"	2787 mm 9'2"	2770 mm 9'2"
Width over Tires – Maximum (loaded)*	2824 mm 9'4"	2828 mm 9'4"	2834 mm 9'4"	2804 mm 9'3"	2790 mm 9'2"
Change in Vertical Dimensions (average of front and rear)	-	10 mm 0.4"	40 mm 1.6"	65 mm 2.6"	19 mm 0.8"
Change in Horizontal Reach	-	-6 mm -0.2"	-31 mm -1.2"	-36 mm -1.4"	-4 mm -0.1"
Change in Clearance Circle to Outside of Tires	-	4 mm 0.2"	11 mm 0.4"	-20 mm -0.8"	-34 mm -1.3"
Change in Clearance Circle to Inside of Tires	-	-4 mm -0.2"	-11 mm -0.4"	20 mm 0.8"	34 mm 1.3"
Change in Operating Weight (without ballast)	-	-156 kg -344 lb	500 kg 1,103 lb	700 kg 1,544 lb	-268 kg -591 lb
Change in Static Tipping Load – Straight	-	-104 kg -229 lb	333 kg 733 lb	466 kg 1,026 lb	-178 kg -393 lb
Change in Static Tipping Load – Articulated	-	-90 kg -200 lb	290 kg 639 lb	406 kg 895 lb	-155 kg -343 lb
Rear Axle Oscillation Angle	±13 degrees	±13 degrees	±8 degrees	±8 degrees	±13 degrees
Maximum Single-Wheel Rise and Fall	481 mm 1'7"	481 mm 1'7"	298 mm 1'0"	298 mm 1'0"	481 mm 1'7"

\*Width over tire bulge and includes tire growth.

# 950 Steel Mill Specifications

## Tire Options

Tire Brand	Firestone	Maxam	Maxam	Triangle	Triangle
Tire Size	23.5-25	23.5R25	23.5R25	23.5-25	23.5R25
Tread Type	L-5	L-3	L-5	L-3	L-3
Tread Pattern	SDT LD	MS302	MS503	TL612	TB516
Casing Strength	20PR	**	**	16PR	**
Width over Tires – Maximum (empty)*	2776 mm 9'2"	2820 mm 9'4"	2780 mm 9'2"	2781 mm 9'2"	2785 mm 9'2"
Width over Tires – Maximum (loaded)*	2799 mm 9'3"	2828 mm 9'4"	2803 mm 9'3"	2809 mm 9'3"	2799 mm 9'3"
Change in Vertical Dimensions (average of front and rear)	62 mm 2.4"	14 mm 0.5"	58 mm 2.3"	1 mm 0"	43 mm 1.7"
Change in Horizontal Reach	-44 mm -1.7"	-15 mm -0.6"	-33 mm -1.3"	-8 mm -0.3"	-13 mm -0.5"
Change in Clearance Circle to Outside of Tires	-24 mm -1"	4 mm 0.2"	-21 mm -0.8"	-15 mm -0.6"	-25 mm -1"
Change in Clearance Circle to Inside of Tires	24 mm 1"	-4 mm -0.2"	21 mm 0.8"	15 mm 0.6"	25 mm 1"
Change in Operating Weight (without ballast)	500 kg 1,103 lb	0 kg 0 lb	472 kg 1,041 lb	-548 kg -1,208 lb	-452 kg -997 lb
Change in Static Tipping Load – Straight	333 kg 733 lb	0 kg 0 lb	314 kg 692 lb	-366 kg -806 lb	-302 kg -665 lb
Change in Static Tipping Load – Articulated	290 kg 639 lb	0 kg 0 lb	274 kg 604 lb	-319 kg -703 lb	-263 kg -580 lb
Rear Axle Oscillation Angle	±8 degrees	±13 degrees	±8 degrees	±13 degrees	±13 degrees
Maximum Single-Wheel Rise and Fall	298 mm 1'0"	481 mm 1'7"	298 mm 1'0"	481 mm 1'7"	481 mm 1'7"

\*Width over tire bulge and includes tire growth.

Tire Brand	Brawler	Brawler
Tire Size	23.5X25	23.5X25
Tread Type		
Tread Pattern	Smooth	Traction
Casing Strength	Solid	Solid
Width over Tires – Maximum (empty)*	2140 mm 7'1"	2140 mm 7'1"
Width over Tires – Maximum (loaded)*	2140 mm 7'1"	2140 mm 7'1"
Change in Vertical Dimensions (average of front and rear)	65 mm 2.5"	65 mm 2.5"
Change in Horizontal Reach	-15 mm -0.6"	-15 mm -0.6"
Change in Clearance Circle to Outside of Tires	-684 mm -26.9"	-684 mm -26.9"
Change in Clearance Circle to Inside of Tires	684 mm 26.9"	684 mm 26.9"
Change in Operating Weight (without ballast)	3208 kg 7,074 lb	3064 kg 6,756 lb
Change in Static Tipping Load – Straight	2140 kg 4,718 lb	2044 kg 4,507 lb
Change in Static Tipping Load – Articulated	1866 kg 4,114 lb	1782 kg 3,929 lb
Rear Axle Oscillation Angle	±8 degrees	±8 degrees
Maximum Single-Wheel Rise and Fall	298 mm 1'0"	298 mm 1'0"

\*Width over tire bulge and includes tire growth.



## Operating Specifications – Buckets

Linkage		Standard Linkage
Bucket Type		Slag – Pin-On
Edge Type		Teeth and Segments
Capacity – Rated	m <sup>3</sup>	2.90
	yd <sup>3</sup>	3.75
Capacity – Rated at 110% Fill Factor	m <sup>3</sup>	3.10
	yd <sup>3</sup>	4.00
Width	mm	2845
	ft/in	9'4"
<b>16†</b> Dump Clearance at Maximum Lift and 45° Discharge	mm	2757
	ft/in	9'0"
<b>17†</b> Reach at Maximum Lift and 45° Discharge	mm	1500
	ft/in	4'11"
Reach at Level Lift Arm and Bucket Level	mm	2802
	ft/in	9'2"
<b>A†</b> Digging Depth	mm	100
	in	3.9"
<b>12†</b> Overall Length	mm	8447
	ft/in	27'9"
<b>B†</b> Overall Height with Bucket at Maximum Lift	mm	5491
	ft/in	18'1"
Loader Clearance Circle Radius with Bucket at Carry Position	mm	6712
	ft/in	22'1"
Static Tipping Load, Straight (With tire deflection)	kg	10 881
	lb	23,989
Static Tipping Load, Straight (No tire deflection)	kg	11 620
	lb	25,619
Static Tipping Load, Articulated (With tire deflection)	kg	9150
	lb	20,172
Static Tipping Load, Articulated (No tire deflection)	kg	9894
	lb	21,813
Breakout Force (§)	kN	151
	lbf	34,002
Operating Weight*	kg	20 699
	lb	45,632

\* Static tipping loads and operating weights shown are based on a machine configuration with Brawler 23.5X25 Smooth solid tires, full fluids, operator, cab precleaner, fabricated counterweight with rear guard (1460 kg), flat window glass with front guard, industrial package, ride control, standard starting, narrow fenders, turbine engine precleaner, Product Link, auto diff lock axles (front/rear), powertrain guard, standard steering, industrial sound suppression and variable pitch fan.

† Illustration shown with Dimension charts.

(§) Measured 100 mm (4") behind tip of cutting edge with bucket hinge pin as pivot point in accordance with ISO 14397-2:2007.

(With tire deflection) Full compliance to ISO 14397-1:2007 Sections 1 thru 6, which requires 2% verification between calculations and testing.

(No tire deflection) Compliance to ISO 14397-1:2007 Sections 1 thru 5.

Other buckets are available and offerings vary by region. Consult your local Cat dealer for further details.



# 950

## Tunneling

***The Cat 950 Wheel Loader Tunneling package provides added performance and protection for working in tunnels.***

### **Proven Reliability**

- Cat C7.1 engine offers high power density with a combination of proven electronics, fuel, and air systems.
- Features an electric fuel priming pump, fuel-water separator, and secondary filtration system.
- Thorough component design and machine validation processes result in unmatched reliability and uptime.

### **Durability**

- Handrails are designed with low clearance in mind.
- Fabricated counterweight with robust rear grill guard provides added protection at the rear of the machine.
- The front light brackets are designed close to the frame for added protection.
- Tunneling package includes a steel roof cap and service center guards for increased durability.
- Heavy-duty axles are designed to handle extreme applications.

### **Achieve Greater Fuel Efficiency and Productivity**

- Tunneling package includes a larger tilt cylinder for increased tilt capacity.
- Optional 3<sup>rd</sup> and 4<sup>th</sup> valve auxiliary hydraulics to control work tools such as side dump buckets.
- Five-speed transmission and lock-up clutch torque converter, powertrains deliver smooth shifting, fast acceleration, and speed on grade for greater performance and fuel efficiency.
- Single clutch and lock-to-lock shifting for faster acceleration and speed on grades.
- Deeply integrated engine, powertrain, and hydraulic systems deliver unmatched productivity and fuel efficiency.

### **Safety Features**

- Rearview camera enhances visibility behind the machine, helping you work safely and confidently.
- Cab access with wide door, optional remote door opening, and stair-like steps add solid stability.

- Floor-to-ceiling windshield, large mirrors with integrated spot mirrors, and rearview camera provide industry leading all-around visibility.
- Optional multiview (360°) vision system helps the operator monitor the surroundings of the machine at all times.
- Optional Cat Detect radar technology enhances awareness by monitoring the working environment and alerts operators to hazards.

### **Reduced Maintenance Time and Costs**

- Extended fluid and filter change intervals reduce maintenance costs by up to 35%.\*
- Remote Troubleshoot can connect the machine to the dealer service department to help diagnose problems quickly so you can get back to work.
- Remote Flash works around your schedule to ensure your machine's software is up to date for optimal performance.
- The Cat app helps you manage fleet location, hours, and maintenance schedules; it also alerts you for required maintenance and allows you to request service from your local Cat dealer.
- One-piece tilting hood makes engine compartment access fast and easy.
- Optional integrated autolube extends component and service life.

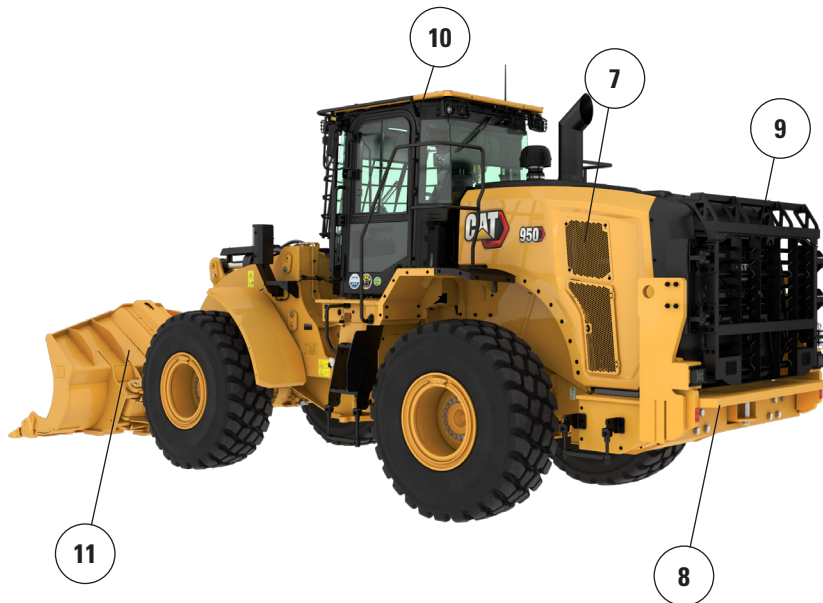
### **Work in Comfort in the All New Cab**

- Next-generation, easily adjustable seat and suspension for improved operator comfort. It comes in three trim levels and can be equipped with a 4-point harness.
- New in-cab dashboard and high-resolution touch display(s) are easy to use, intuitive, and user friendly.
- Sound suppression, seals, and viscous cab mounts decrease noise and vibration for a quieter work environment.
- The standard hydraulic metering unit (HMU) steering wheel provides precision control, resulting in excellent comfort and accuracy. An optional seat-mounted electro-hydraulic joystick steering system (replaces the HMU steering wheel) is also available in many regions.

*\*Parts and fluids only.*

## 950 Tunneling Features

1. Larger tilt cylinder for increased capacity
2. Tilt cylinder guard to protect the cylinder rod from falling debris
3. Low clearance handrails
4. Service center guards
5. Heavy-duty light brackets mounted close to the frame
6. 3rd/4th valve auxiliary hydraulics
7. Optional advanced cabin filtration



8. Fabricated counterweight
9. Heavy-duty rear guard
10. Steel roof cap
11. Large range of Cat work tools

# 950 Tunneling Specifications

## Tire Options

<b>Tire Brand</b>	<b>Bridgestone</b>	<b>Bridgestone</b>
<b>Tire Size</b>	<b>23.5R25</b>	<b>23.5R25</b>
<b>Tread Type</b>	<b>L-3</b>	<b>L-5</b>
<b>Tread Pattern</b>	<b>VJT</b>	<b>VSDL</b>
<b>Casing Strength</b>	<b>*</b>	<b>*</b>
Width over Tires – Maximum (empty)*	2800 mm 9'3"	2787 mm 9'2"
Width over Tires – Maximum (loaded)*	2824 mm 9'4"	2804 mm 9'3"
Change in Vertical Dimensions (average of front and rear)	- -	65 mm 2.6"
Change in Horizontal Reach	- -	-36 mm -1.4"
Change in Clearance Circle to Outside of Tires	- -	-20 mm -0.8"
Change in Clearance Circle to Inside of Tires	- -	20 mm 0.8"
Change in Operating Weight (without ballast)	- -	700 kg 1,544 lb
Change in Static Tipping Load – Straight	- -	466 kg 1,026 lb
Change in Static Tipping Load – Articulated	- -	406 kg 895 lb
Rear Axle Oscillation Angle	±13 degrees	±8 degrees
Maximum Single-Wheel Rise and Fall	481 mm 1'7"	298 mm 1'0"

\*Width over tire bulge and includes tire growth.

## Operating Specifications – Buckets

Linkage		Standard Linkage			
Bucket Type		Side Dump – Pin-On – Abrasion			
Edge Type		Bolt-On Cutting Edges	Teeth and Segments	Tips	
Capacity – Rated	m <sup>3</sup>	2.50	2.50	2.30	
	yd <sup>3</sup>	3.25	3.25	3.00	
Capacity – Rated at 110% Fill Factor	m <sup>3</sup>	2.80	2.80	2.50	
	yd <sup>3</sup>	3.75	3.75	3.25	
Width	mm	3065	3166	3166	
	ft/in	10'0"	10'4"	10'4"	
16† Dump Clearance at Maximum Lift and 45° Discharge	mm	2666	2508	2508	
	ft/in	8'8"	8'2"	8'2"	
17† Reach at Maximum Lift and 45° Discharge	mm	1344	1447	1447	
	ft/in	4'4"	4'8"	4'8"	
Reach at Level Lift Arm and Bucket Level	mm	2791	2975	2975	
	ft/in	9'1"	9'9"	9'9"	
A† Digging Depth	mm	106	106	71	
	in	4.2"	4.2"	2.8"	
12† Overall Length	mm	8444	8659	8659	
	ft/in	27'9"	28'5"	28'5"	
B† Overall Height with Bucket at Maximum Lift	mm	5723	5723	5723	
	ft/in	18'10"	18'10"	18'10"	
Loader Clearance Circle Radius with Bucket at Carry Position	mm	6788	6900	6900	
	ft/in	22'4"	22'8"	22'8"	
Static Tipping Load, Straight (With tire deflection)	kg	11 907	11 681	11 980	
	lb	26,250	25,753	26,412	
Static Tipping Load, Straight (No tire deflection)	kg	12 676	12 447	12 759	
	lb	27,946	27,442	28,130	
Static Tipping Load, Articulated (With tire deflection)	kg	10 060	9834	10 117	
	lb	22,179	21,682	22,304	
Static Tipping Load, Articulated (No tire deflection)	kg	10 841	10 613	10 907	
	lb	23,902	23,397	24,047	
Breakout Force (§)	kN	128	126	135	
	lbf	28,819	28,392	30,432	
Operating Weight*	kg	20 256	20 433	20 283	
	lb	44,656	45,047	44,716	

\* Static tipping loads and operating weights shown are based on a machine configuration with Bridgestone 23.5R25 VJT L3 radial tires, full fluids, operator, tunneling rear guard counterweight, ride control, cold start, tunneling fenders, Product Link, manual diff lock/open axles (front/rear), powertrain guard, secondary steering and sound suppression.

† Illustration shown with Dimension charts.

(§) Measured 100 mm (4") behind tip of cutting edge with bucket hinge pin as pivot point in accordance with ISO 14397-2:2007.

(With tire deflection) Full compliance to ISO 14397-1:2007 Sections 1 thru 6, which requires 2% verification between calculations and testing.

(No tire deflection) Compliance to ISO 14397-1:2007 Sections 1 thru 5.

Other buckets are available and offerings vary by region. Consult your local Cat dealer for further details.



# 950

## Corrosion Resistant

**The Cat 950 Wheel Loader Corrosion Resistant package adds real value in protecting your machine investment. An industry-unique factory treatment provides more protection for all machine components that can be affected by corrosive materials. It's designed for improving reliability and durability in demanding corrosive environments such as fertilizer plants, chemical industries, agriculture, saltwater ports, and others.**

### Proven Reliability

- Cat C7.1 engine offers high power density with a combination of proven electronics, fuel, and air systems.
- Thorough component design and machine validation processes result in unmatched reliability and uptime.

### Durability

- Corrosion resistant package includes silicon protection applied to all electrical terminals: alternator, engine starter, engine ground cable, and battery cables to maximize component life.
- Exposed electrical connectors are treated with shrinkable heat tube.
- Heavy-duty brushless alternator is utilized for increased durability.
- Optional paint protection that is more than two times the thickness of the standard paint. Extra primer coats are applied before the final polyurethane topcoat.

### Achieve Greater Fuel Efficiency and Productivity

- Five-speed transmission and lock-up clutch torque converter, powertrains deliver smooth shifting, fast acceleration, and speed on grade for greater performance and fuel efficiency.
- Deeply integrated engine, powertrain, and hydraulic systems deliver unmatched productivity and fuel efficiency.

### Safety Features

- Rear-vision camera enhances visibility behind the machine, helping you work safely and confidently.
- Cab access with wide door, optional remote door opening, and inclined steps add solid stability.
- Floor-to-ceiling windshield, large mirrors with integrated spot mirrors, and rear-vision camera provide industry leading all-around visibility.
- Monitored seat belt is standard and can be enhanced with an optional exterior indicator.
- Optional multiview (360°) vision system helps the operator monitor the surroundings of the machine at all times.

- Optional Cat Detect radar technology enhances awareness by monitoring the working environment and alerts operators to hazards.
- Optional access light and under-hood service light system to provide illuminated access to the machine and daily checks even in the dark.

### Reduced Maintenance Time and Costs

- Extended fluid and filter change intervals reduce maintenance costs by up to 35%.\*
- Remote Troubleshoot can connect the machine to the dealer service department to help diagnose problems quickly so you can get back to work.
- Remote Flash works around your schedule to ensure your machine's software is up to date for optimal performance.
- The Cat app helps you manage fleet location, hours, and maintenance schedules; it also alerts you for required maintenance and allows you to request service from your local Cat dealer.
- One-piece tilting hood makes engine compartment access fast and easy.
- Optional integrated autolube extends component and service life.

### Work in Comfort in the All New Cab

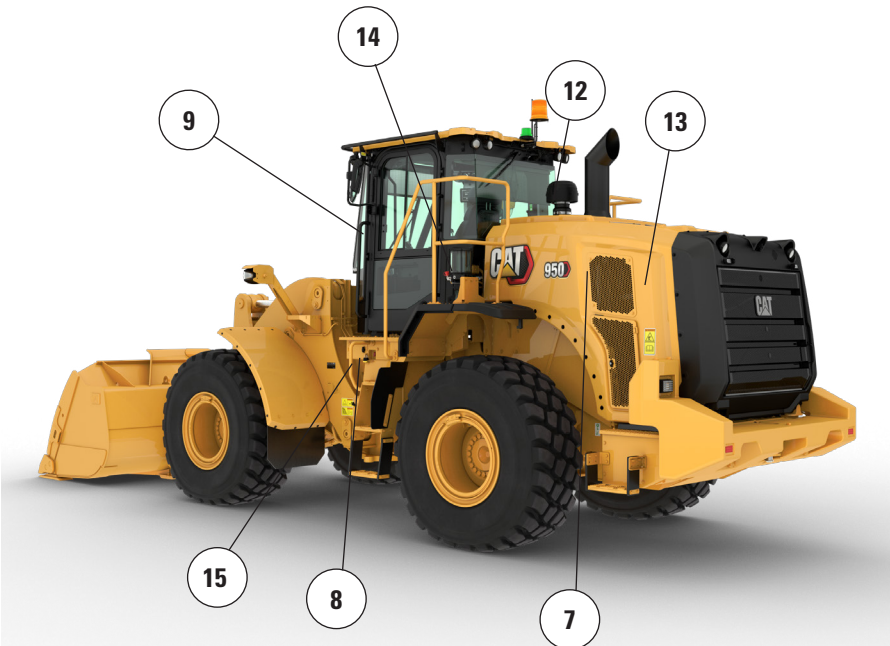
- Optional powered cabin precleaner filters the incoming air and pressurizes the cab.
- Next-generation, easily adjustable seat and suspension for improved operator comfort. It comes in three trim levels and can be equipped with a 4-point harness.
- New in-cab dashboard and high-resolution touch display(s) are easy to use, intuitive, and user friendly.
- Sound suppression, seals, and viscous cab mounts decrease noise and vibration for a quieter work environment.
- The standard hydraulic metering unit (HMU) steering wheel provides precision control, resulting in excellent comfort and accuracy. An optional seat-mounted electro-hydraulic joystick steering system (replaces the HMU steering wheel) is also available in many regions.

*\*Parts and fluids only.*

# 950 Corrosion Resistant Specifications

## 950 Corrosion Resistant Features

1. Silicon protection applied to all electric terminals
2. Shrinkable heat-tube on exposed electrical connectors
3. Zerust vapor capsules in electrical compartments
4. Grease points on hood articulation pins
5. Optional corrosion resistant cooling package: E-coated cooling cores, heavy-duty latch, and greaseable hinges
6. Optional hydraulic system protection that includes silicone sealant and heat shrinkable tubing over the couplings



7. Heavy-duty brushless alternator
8. Sealed disconnect switch
9. Grease points on the cab door hinges
10. Additional coats of paint. Extra primer coats are applied before the final polyurethane topcoat
11. Varnish protection applied to under hood components
12. Optional turbine precleaner
13. Optional variable pitch fan
14. Optional autolube system
15. Anti-corrosion transmission fill cover



オフロード法2014年  
基準適合

For more complete information on Cat products, dealer services, and industry solutions, visit us on the web at [www.cat.com](http://www.cat.com).

Materials and specifications are subject to change without notice. Featured machines in photos may include additional equipment. See your Cat dealer for available options.

© 2023 Caterpillar. All Rights Reserved. CAT, CATERPILLAR, LET'S DO THE WORK, their respective logos, Product Link, XT, Fusion, "Caterpillar Corporate Yellow", the "Power Edge" and Cat "Modern Hex" trade dress as well as corporate and product identity used herein, are trademarks of Caterpillar and may not be used without permission.

AEXQ3577-00 (4-2023)  
Build Number: 14A  
(Afr-ME, Eurasia,  
S Am [excluding Chile],  
SE Asia, Japan, Indonesia)

